

## WALLSTATION



72350 - CONNECT PRO WallStation Black  
72351 - CONNECT PRO WallStation White

## WALLSTATION

### I PORT CONNECT Pro WallStation Install Manual

Thank you for purchasing the all new IPORT CONNECT Platform. We hope you enjoy this revolutionary new system and if at any time you need more assistance please Contact IPORT Tech Support via Online chat or through our help desk.

- IPORT Team

#### Whats in box:

- 1 - IPORT CONNECT WallStation
- 1 - IPORT Security tool - 1.5mm hex key
- 1 - Info Card
- 4- Drwyall Anchors
- 4 -#6 HighLow thread Screws
- 1 - RJ45 - DC Connector
- 1 - RJ45 - TE Connector
- 1 - Phoenix - DC Connector
- 1 - Phoenix - TE Connector

Product Info Page - [www.iportproducts.com/cpwallstation](http://www.iportproducts.com/cpwallstation)

#### Glossary of Terms:

- **WallStation** - The fully assembled CONNECT PRO Station holding and charging the IPORT CONNECT Case.
- **Cover Plate** - The removeable plastic cover that attaches to the WallStation, covering the label and Screws.
- **I PORT Security Tool** - The orange handled 1.5mm hex tool used for locking and unlocking IPORT Products.

## WALLSTATION

### WALLSTATION INSTALL OPTIONS

**Before starting, determine the install scenario that best describes your desired install. Then click on the title to be directed to the appropriate install steps.**

**[New Construction using Cat 6 Cable | pg. 4](#)**

**[Existing Construction using Cat 6 Cable | pg. 15](#)**

**[Upgrading a LAUNCH WallStation | pg. 25](#)**

**[New Construction using 14-2 Wire | pg. 32](#)**

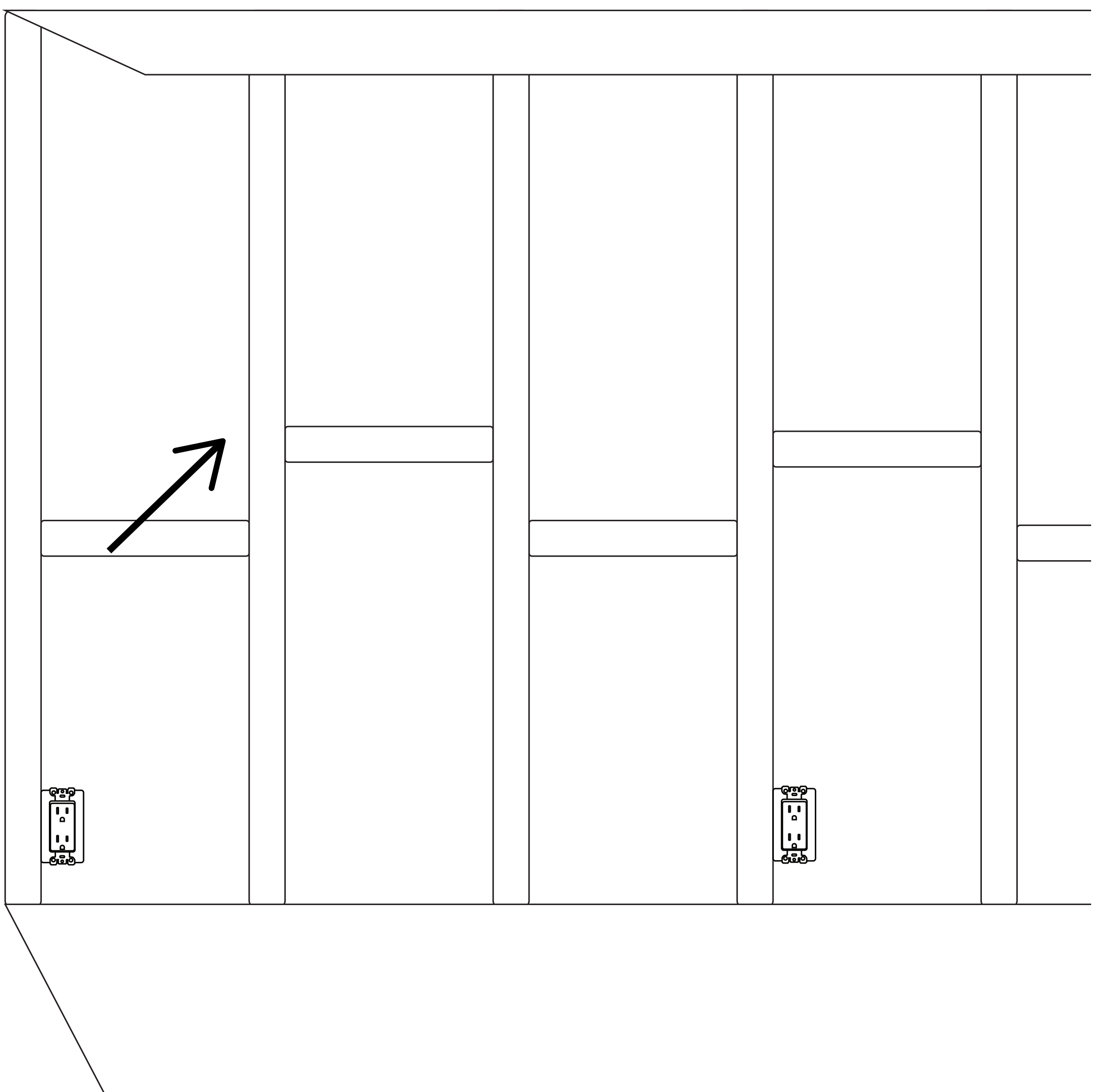
**[Existing Construction using 14-2 Wire | pg. 45](#)**

## WALLSTATION

### I PORT CONNECT Pro WallStation Install New Construction - Cat6

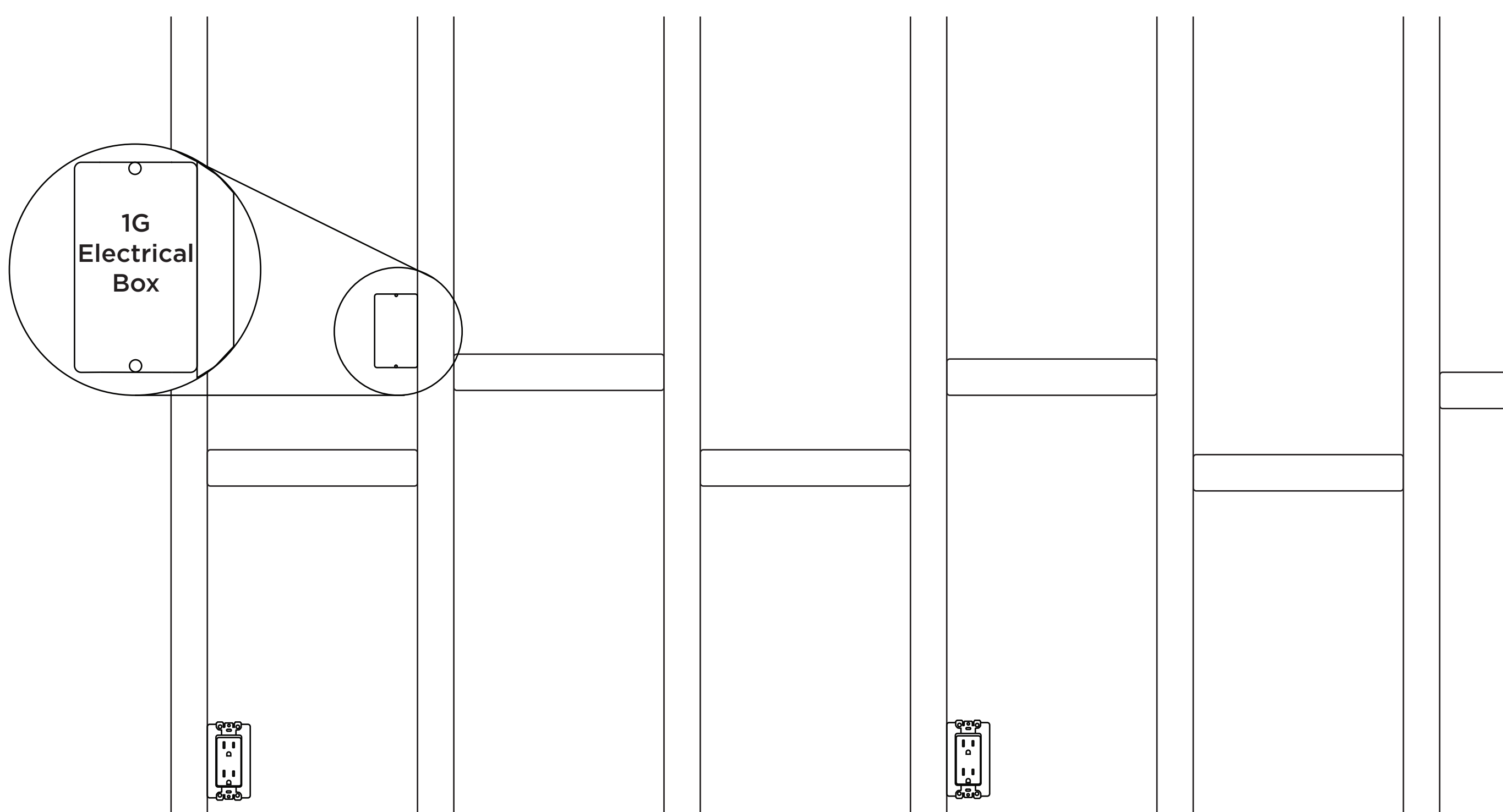
#### Before Construction is complete

- 1. Determine the desired location of the I PORT Connect Pro WallStation will live when the construction is completed.**

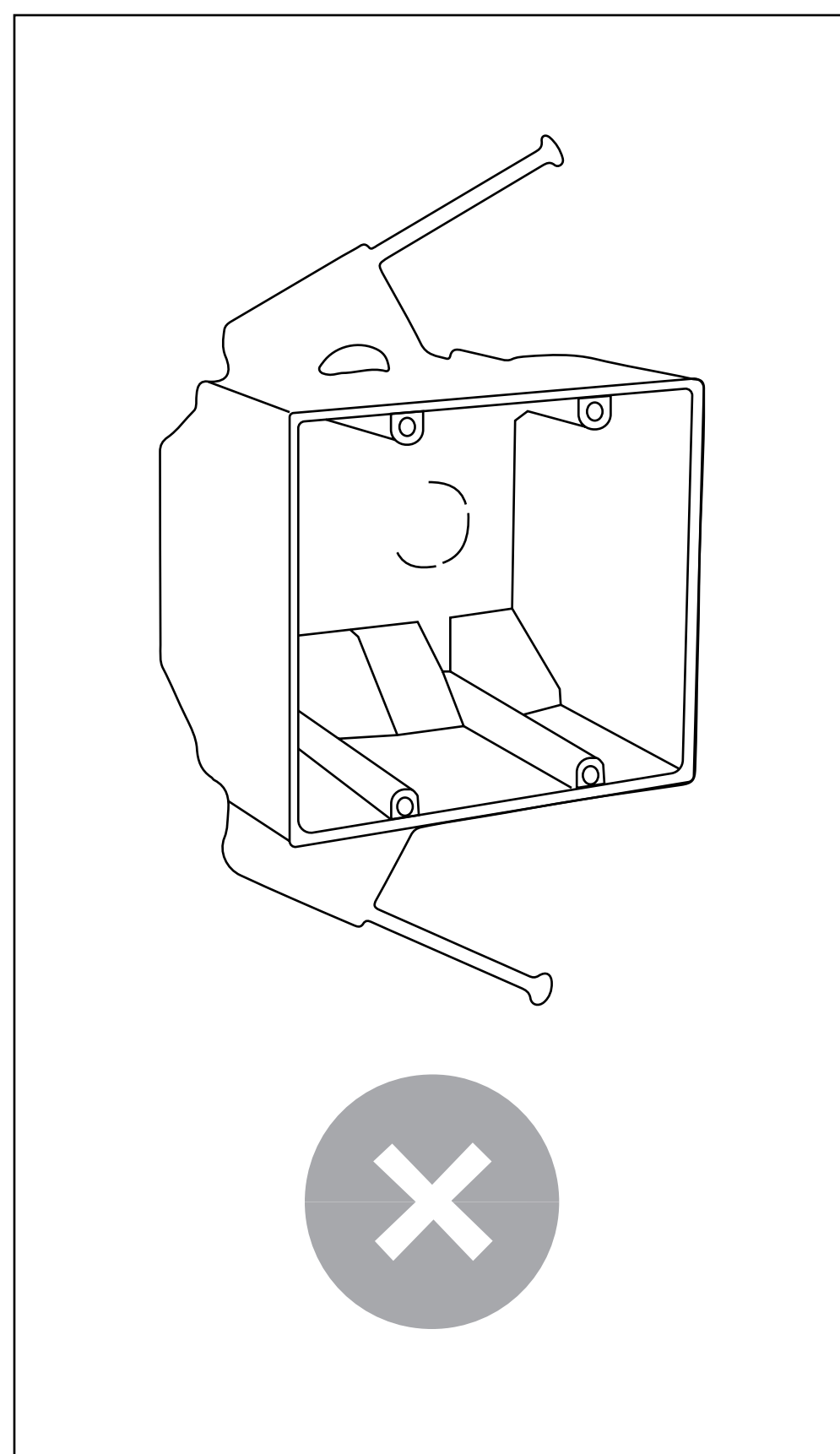
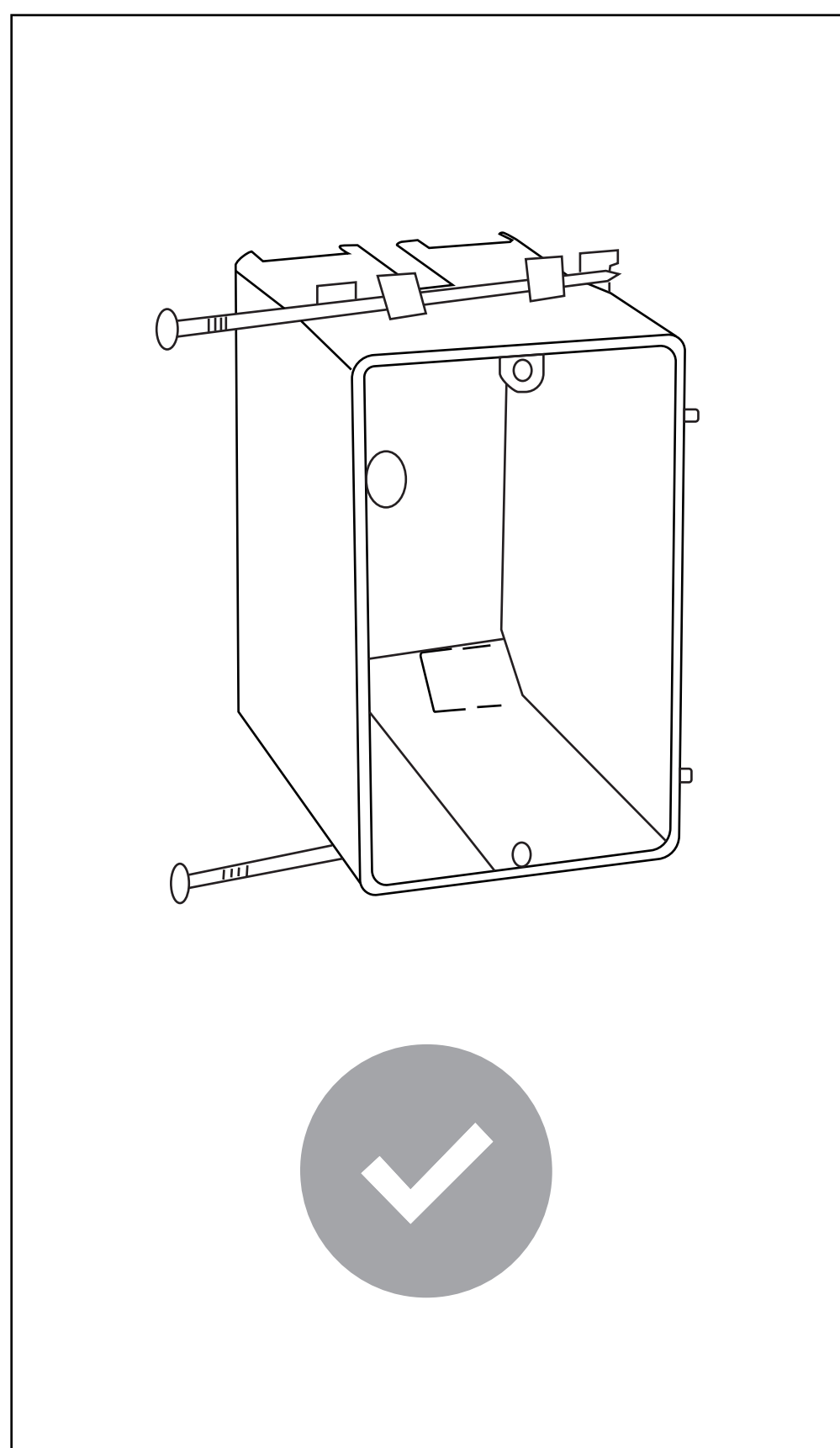


## WALLSTATION New Constructions Cat6

- 2. Install a 1 Gang electrical box or low voltage ring in the desired location of the WallStation.**



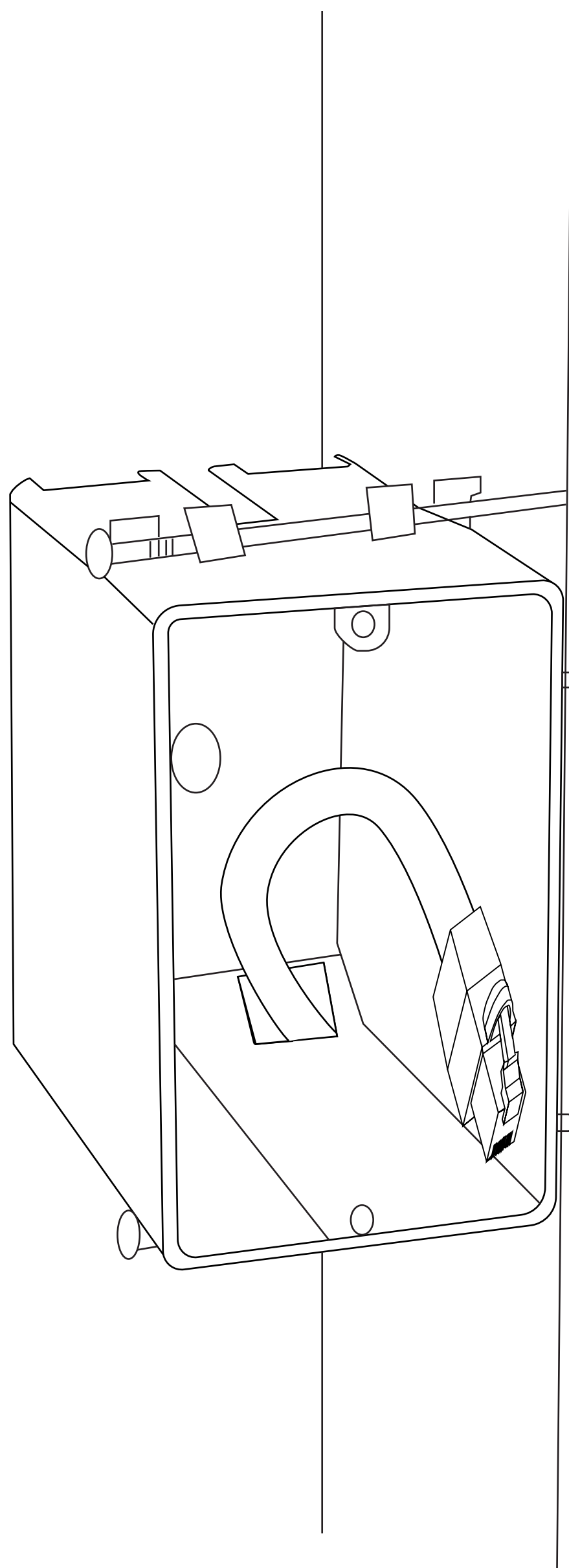
**NOTE: The CONNECT PRO WallStation will cover a 1G electrical box only. A 2 Gang electrical box will interfere with the mounting hardware.**



## WALLSTATION **New Constructions Cat6**

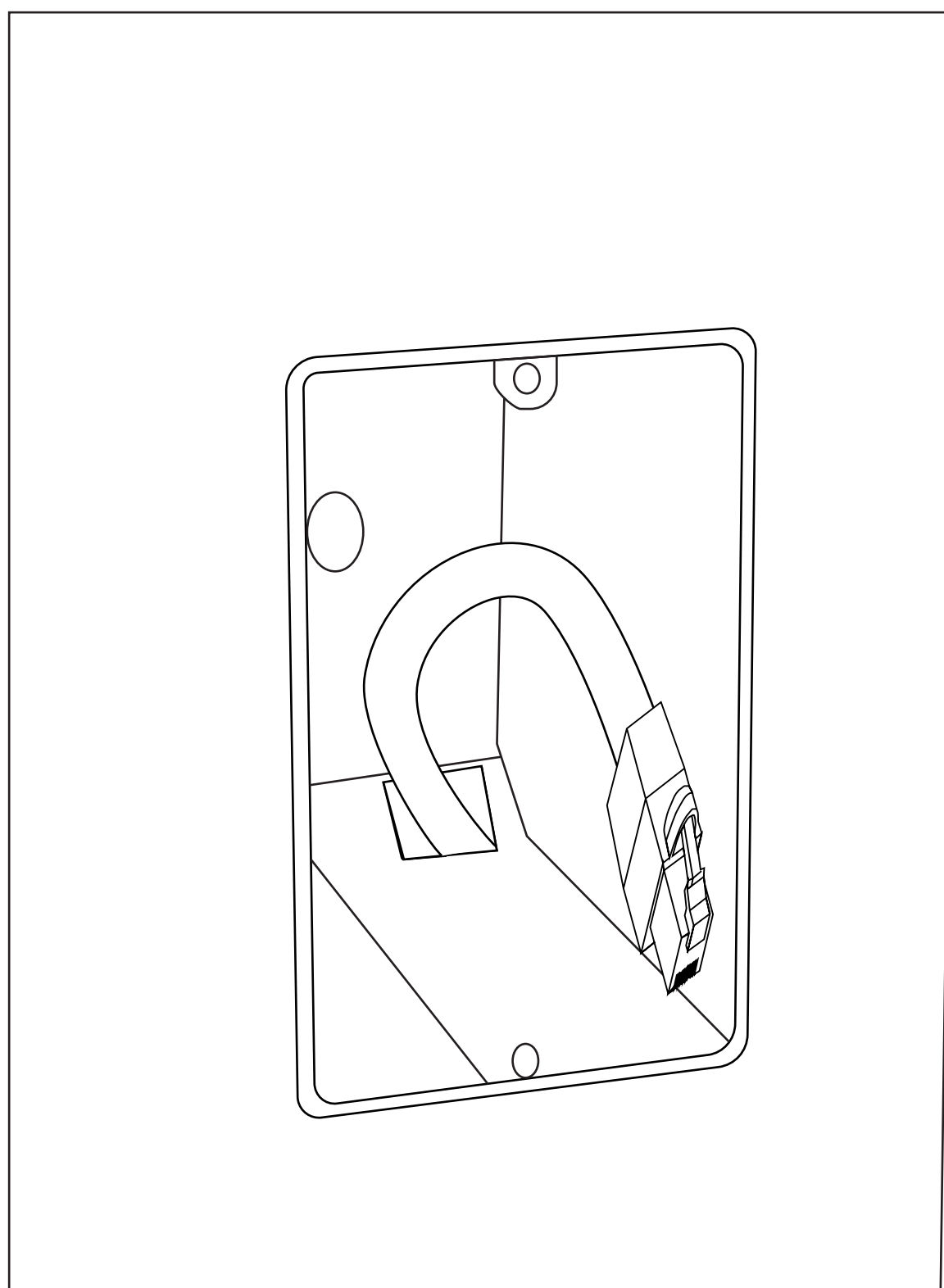
- 3. Run a Cat6 cable terminated with an RJ45 Connectors (T568A or T568B) from the WallStation location to a nearby AC outlet, closet, or network rack location and terminate the other end of the cable the same as before.**

**NOTE: Make sure to secure the Cat6 cable appropriately onto the Electrical box or Low Voltage ring to retrieve at a later time.**

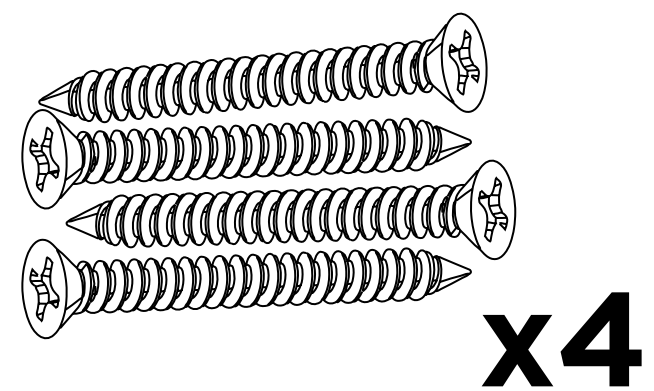
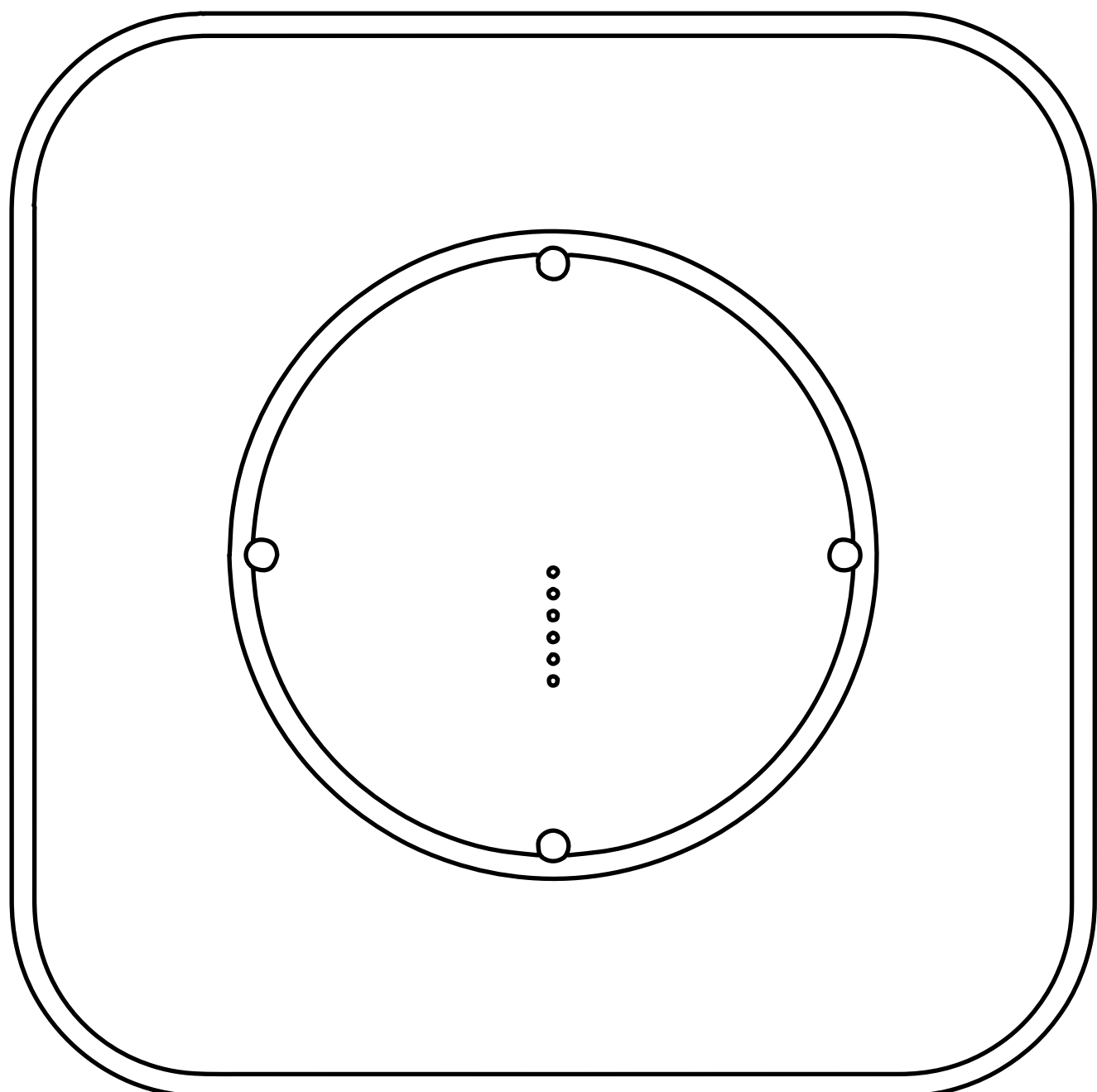


### Installing the WallStation After Construction

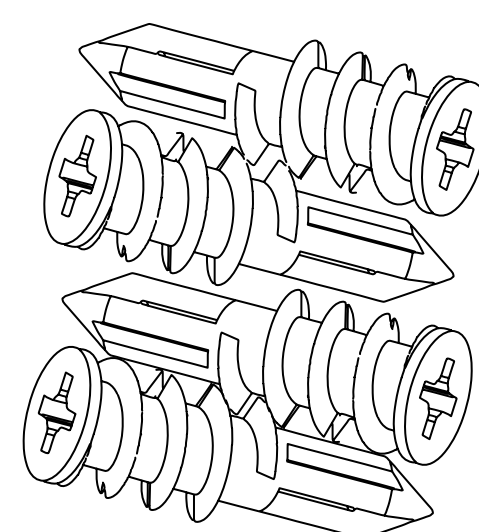
- 1. Terminate the Cat6 with an RJ45 Connector if not done so previously using T568A or T568B standards.**



- 2. Remove the WallStation, Drywall anchors and Screws from the box and place on a table.**

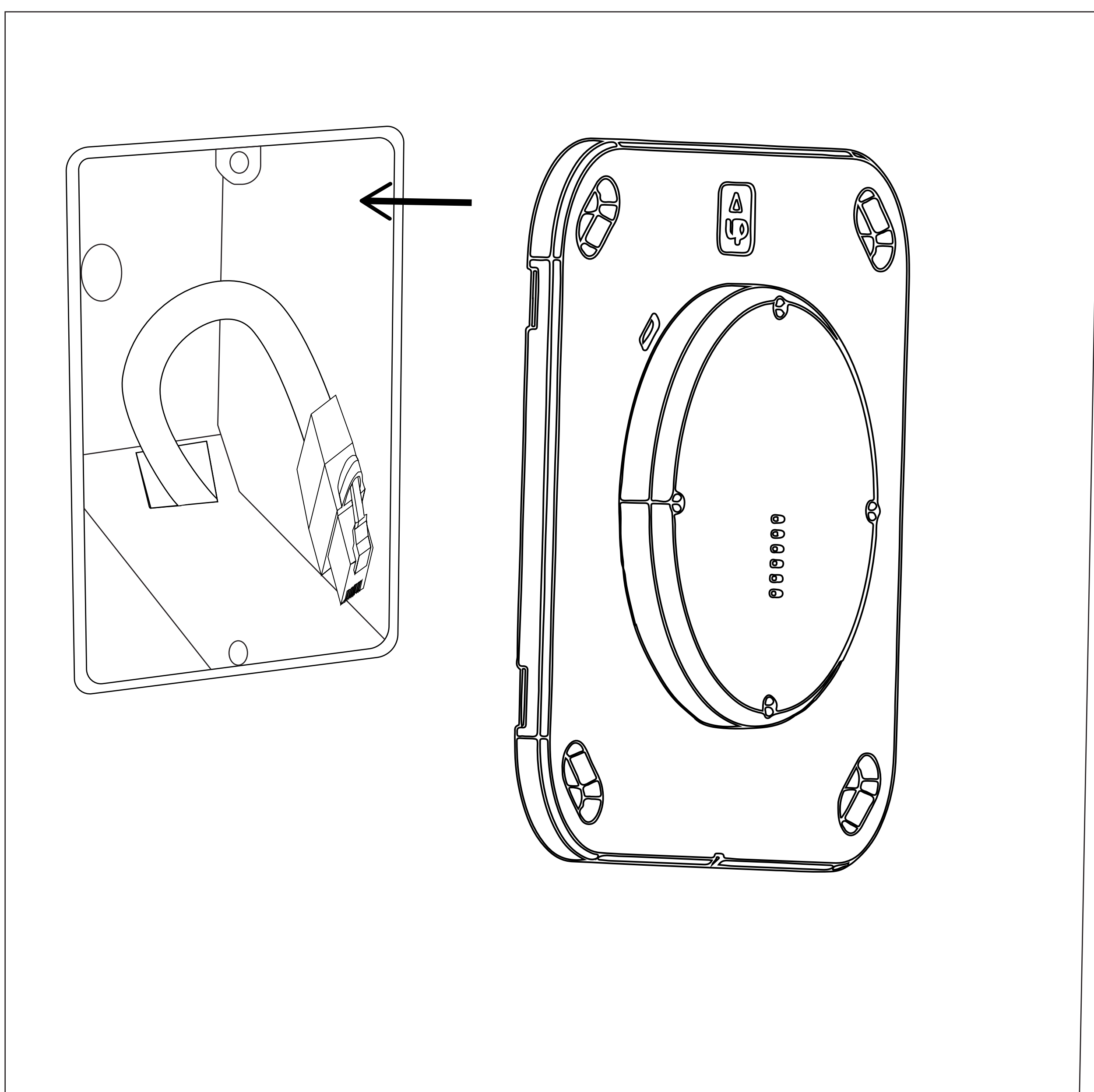


**x4**



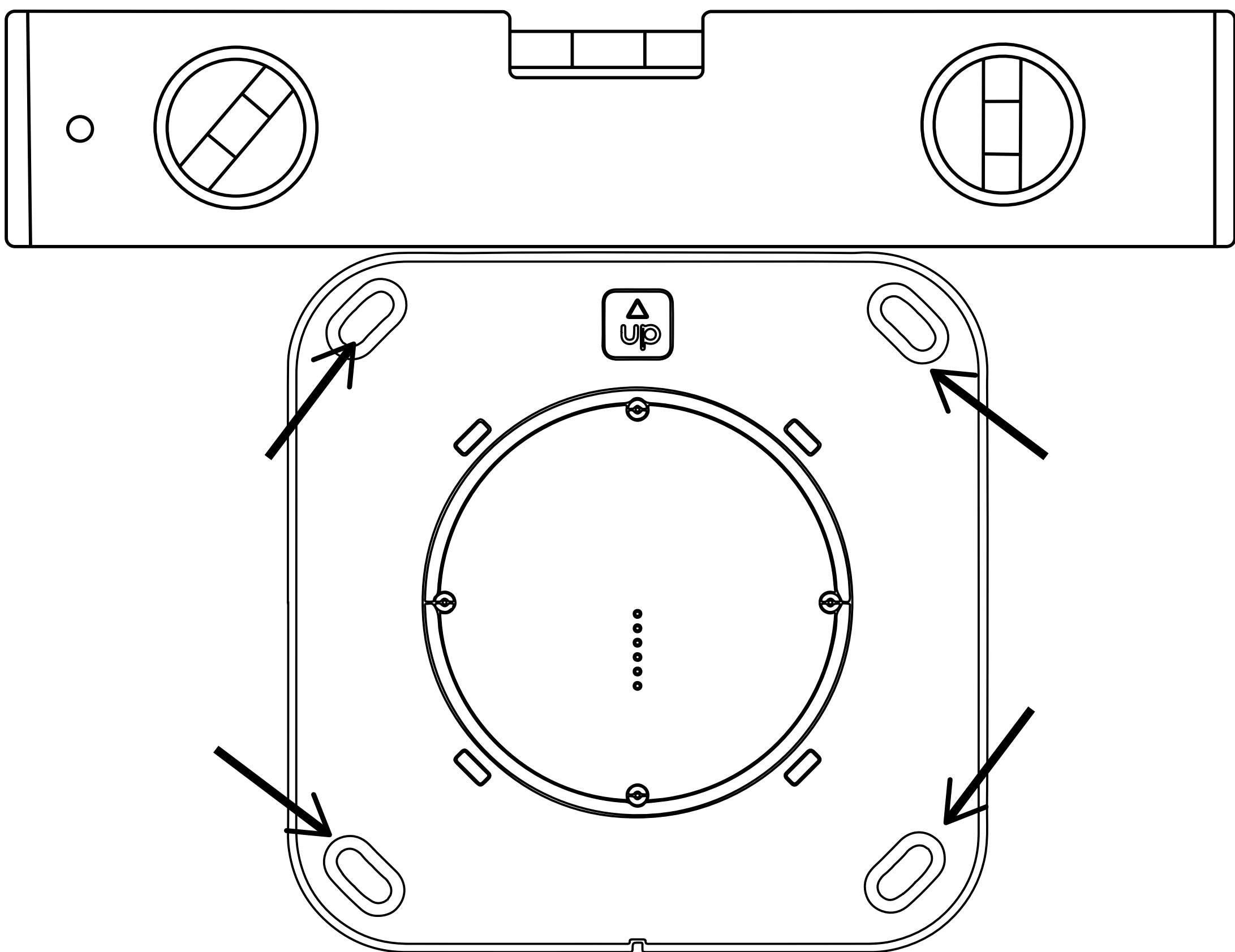
**x4**

### 3. Insert the WallStation into the 1G box.

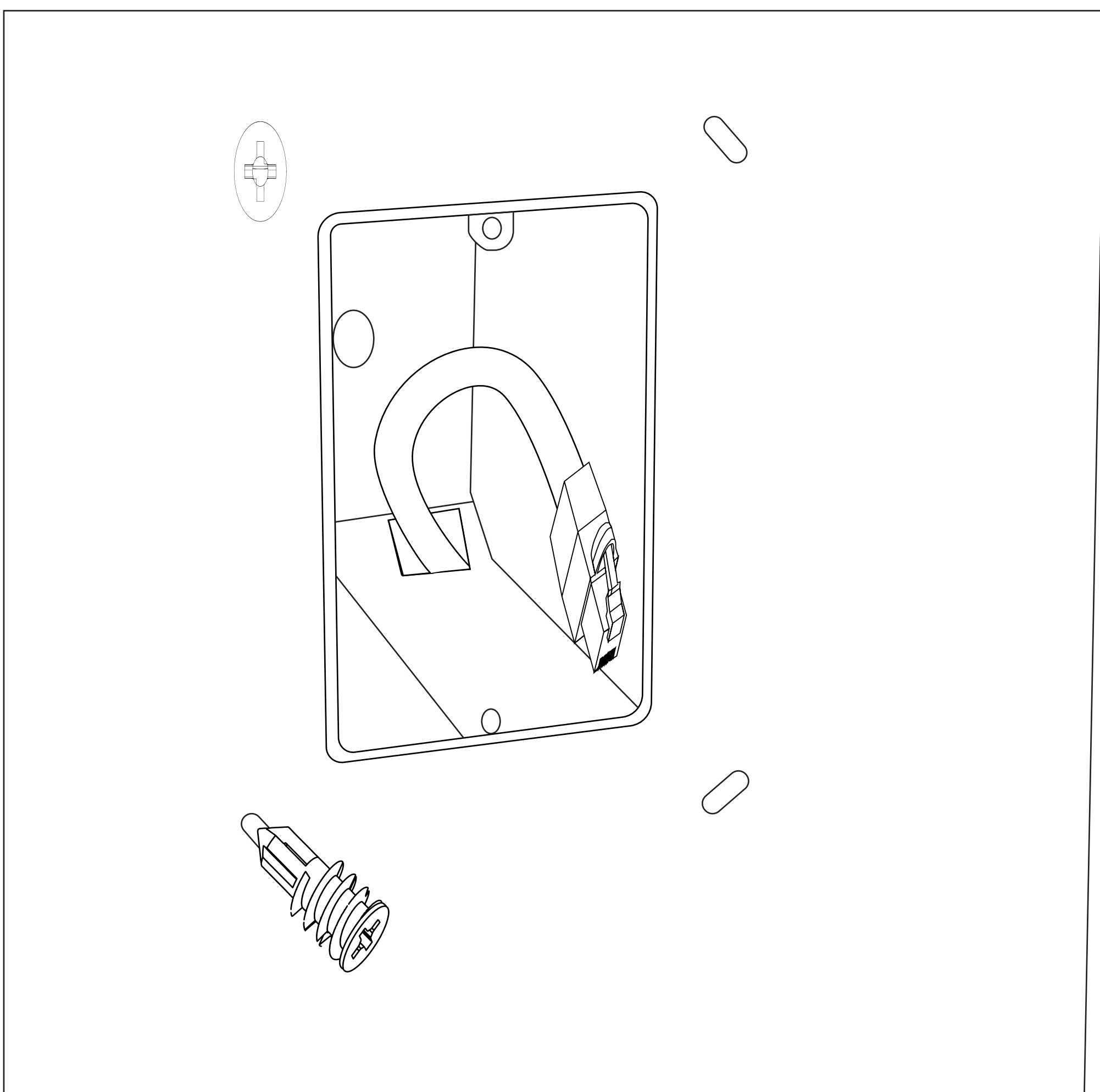


## WALLSTATION New Constructions Cat6

4. Use a leveling tool to level the WallStation and mark the 4 locations for the provided Anchors. Remove the WallStation from the 1G Box.

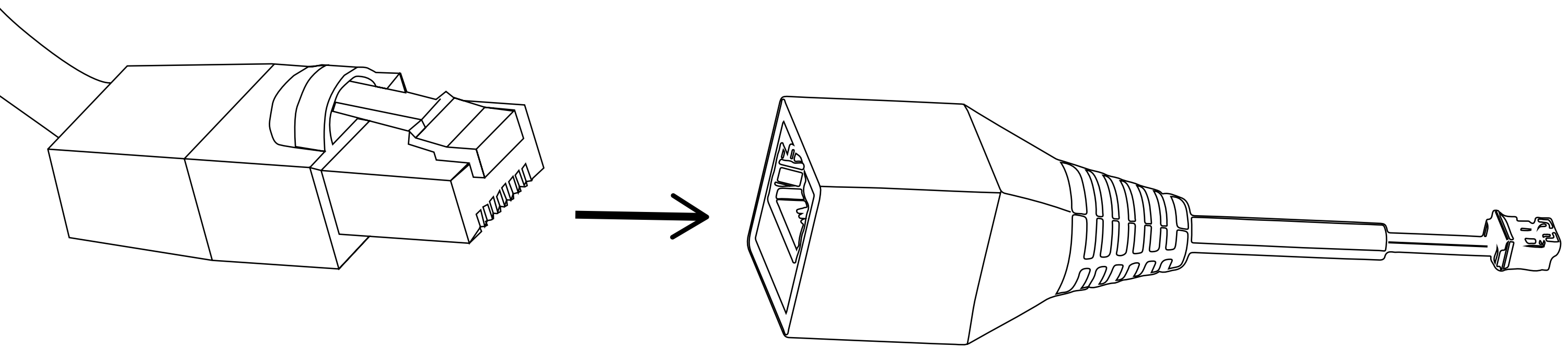


5. Screw the 4 provided anchors into the wall where marked.

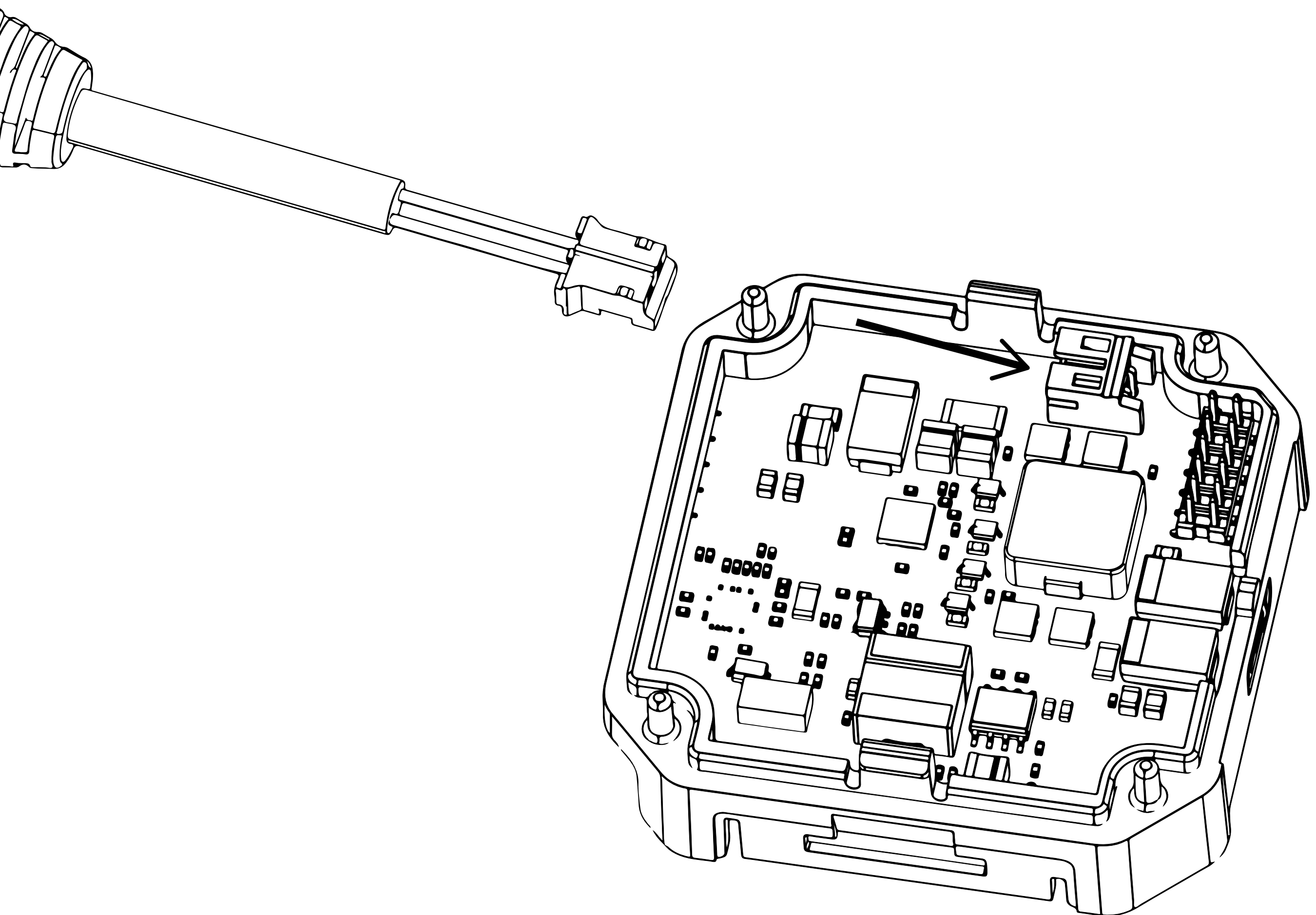


## WALLSTATION **New Constructions Cat6**

- 6. Connect the RJ-45 to TE Connector provided to the Cat6 cable and onto the white TE connector WallStation DC Adapter.**



**Label wire WARNING: Only for DC Low Voltage - Not for PoE**

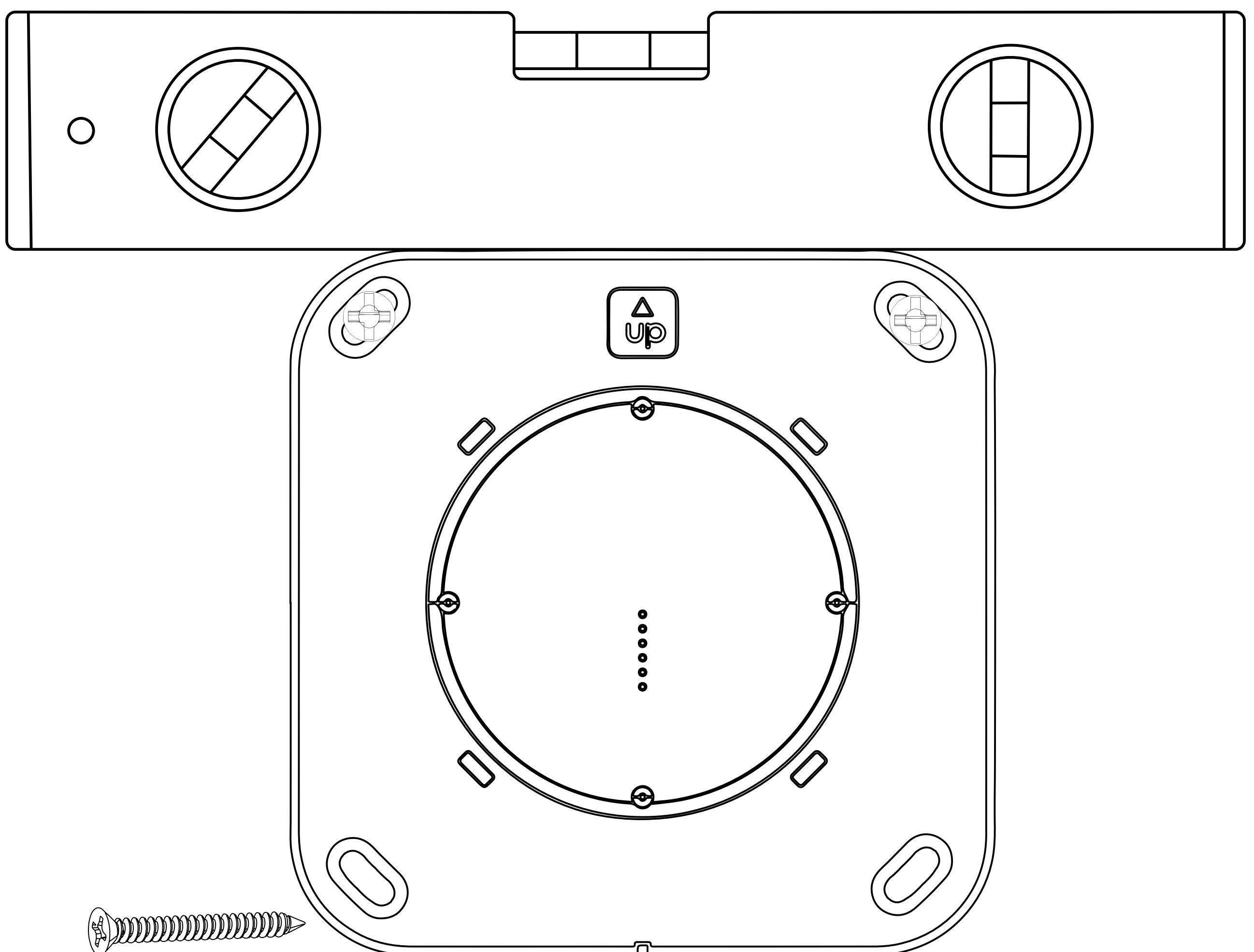


**Zip tie the Connector to the DC board for added cable retention.**

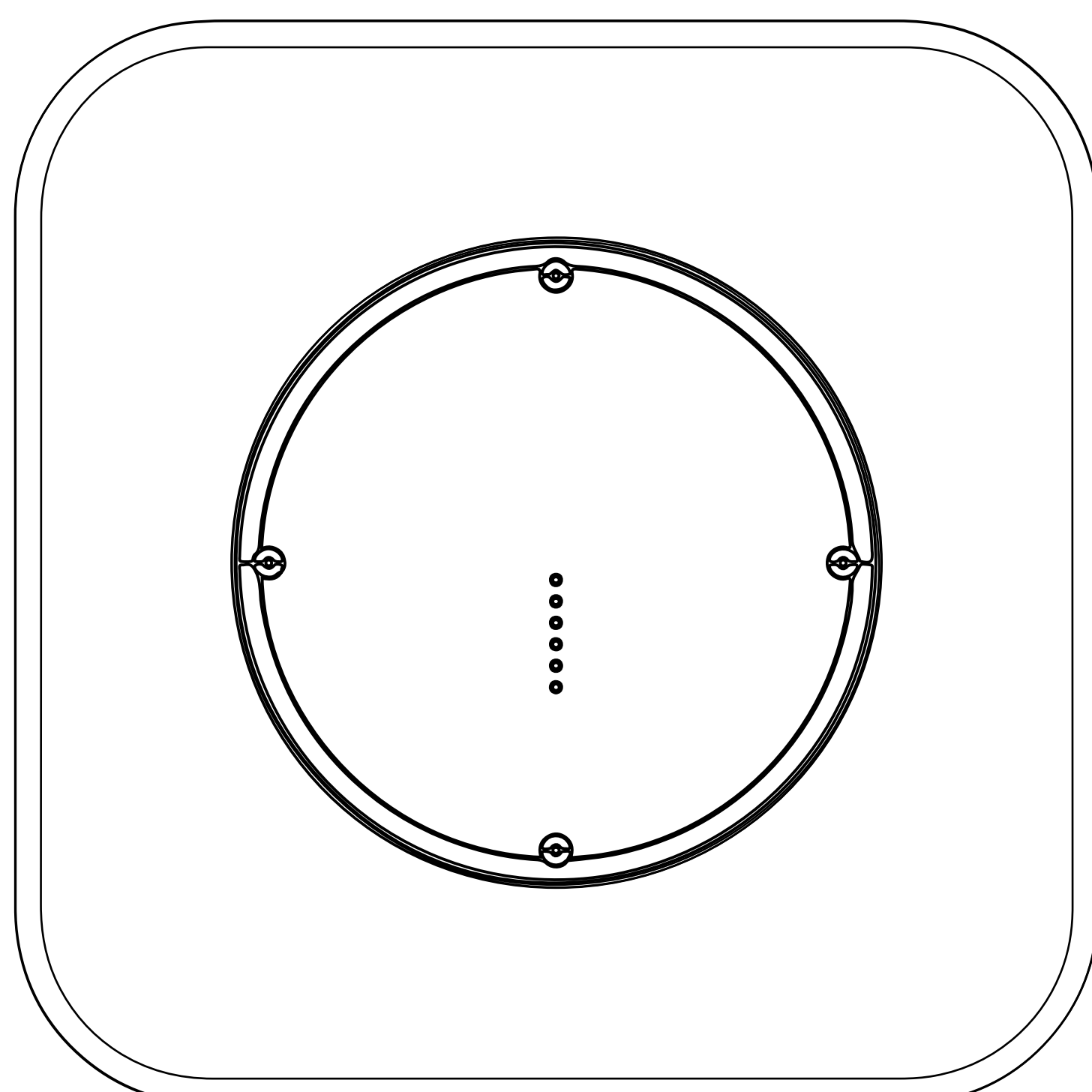
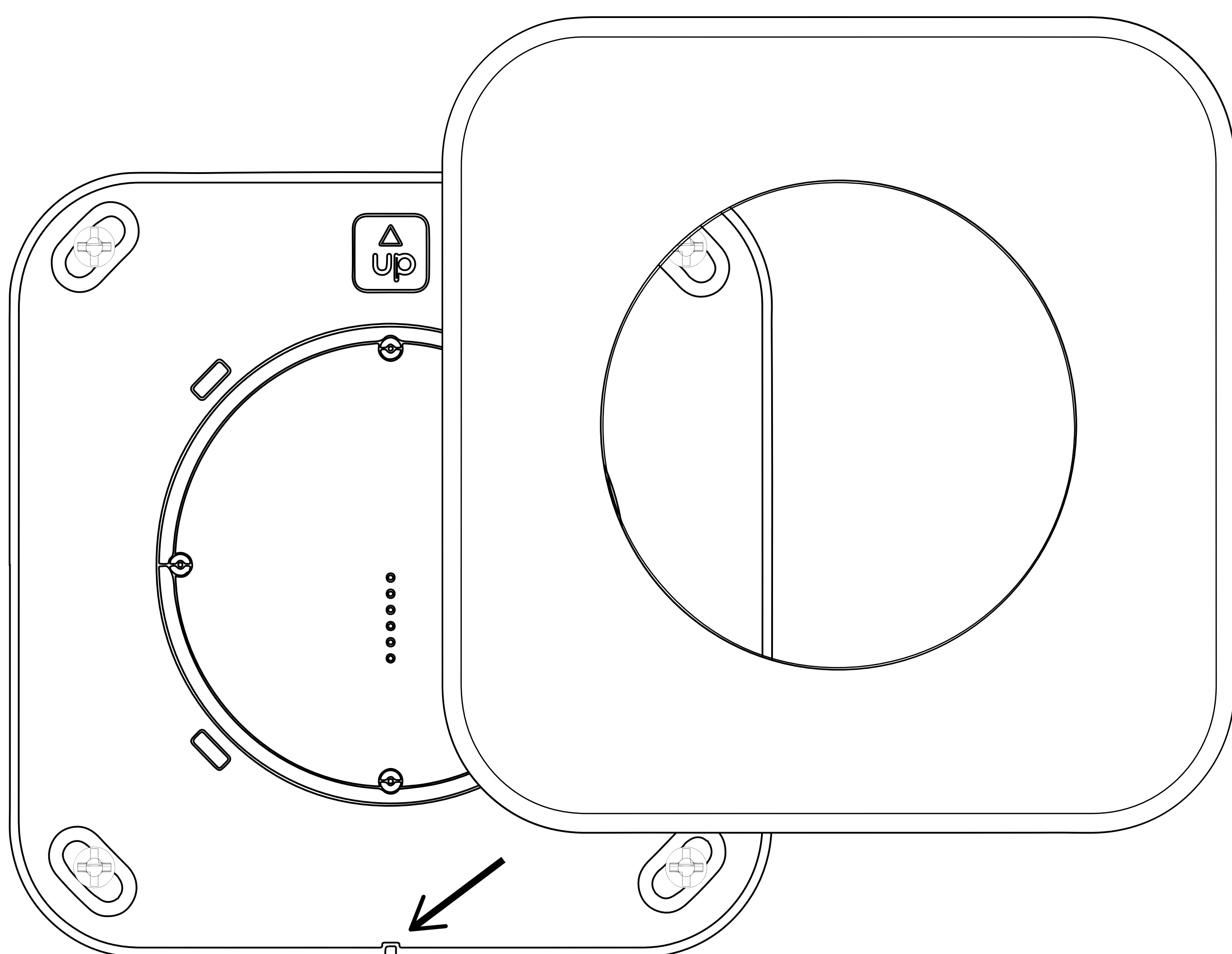
## WALLSTATION **New Constructions Cat6**

- 7. Insert the WallStation back into the 1G box and use the provided screws to attach the WallStation to the wall.**

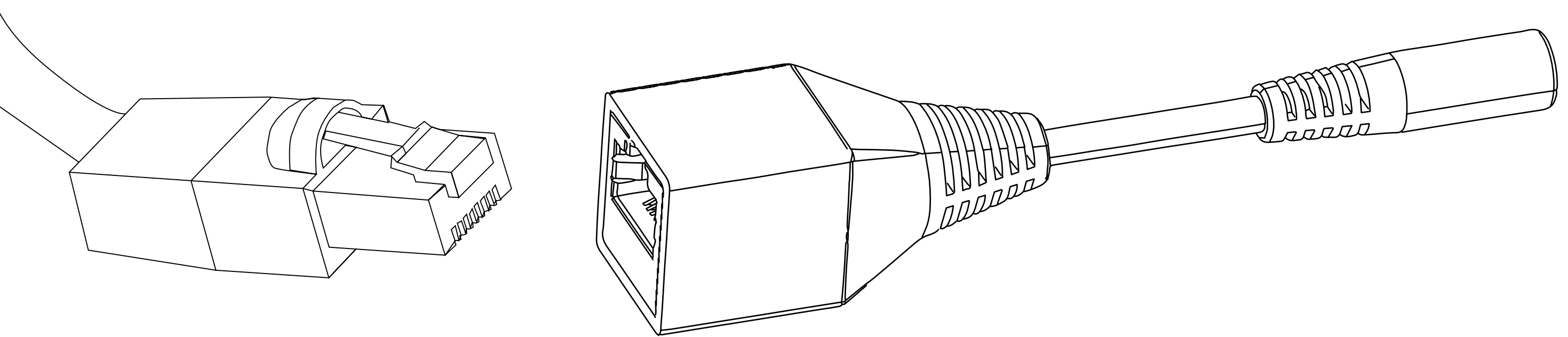
**IMPORTANT: Make Sure to position the WallStation with the Up Arrow facing up. Use a leveling tool to level the WallStation and hand tighten the screws.**



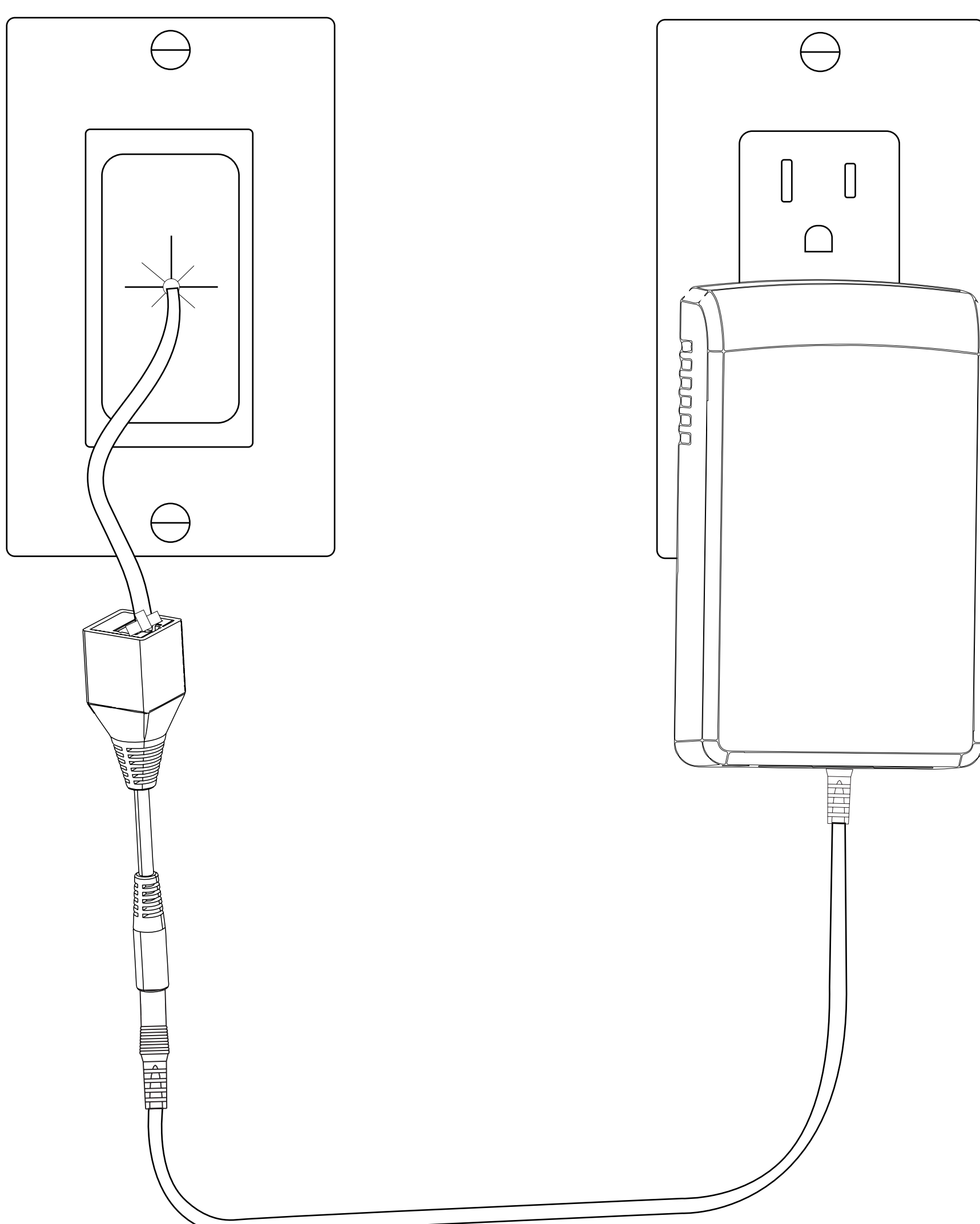
- 8. Attach the WallStation Cover Plate over the WallStation making sure to align the positioning notch with the tooth on the WallStation.**



- 9. Connect the RJ-45 to DC Connector at the other end of the Cat6 Cable.**



- 10. Connect the provided DC power adapter into the other end of the RJ-45 DC adapter and plug in the power adapter into an AC outlet.**

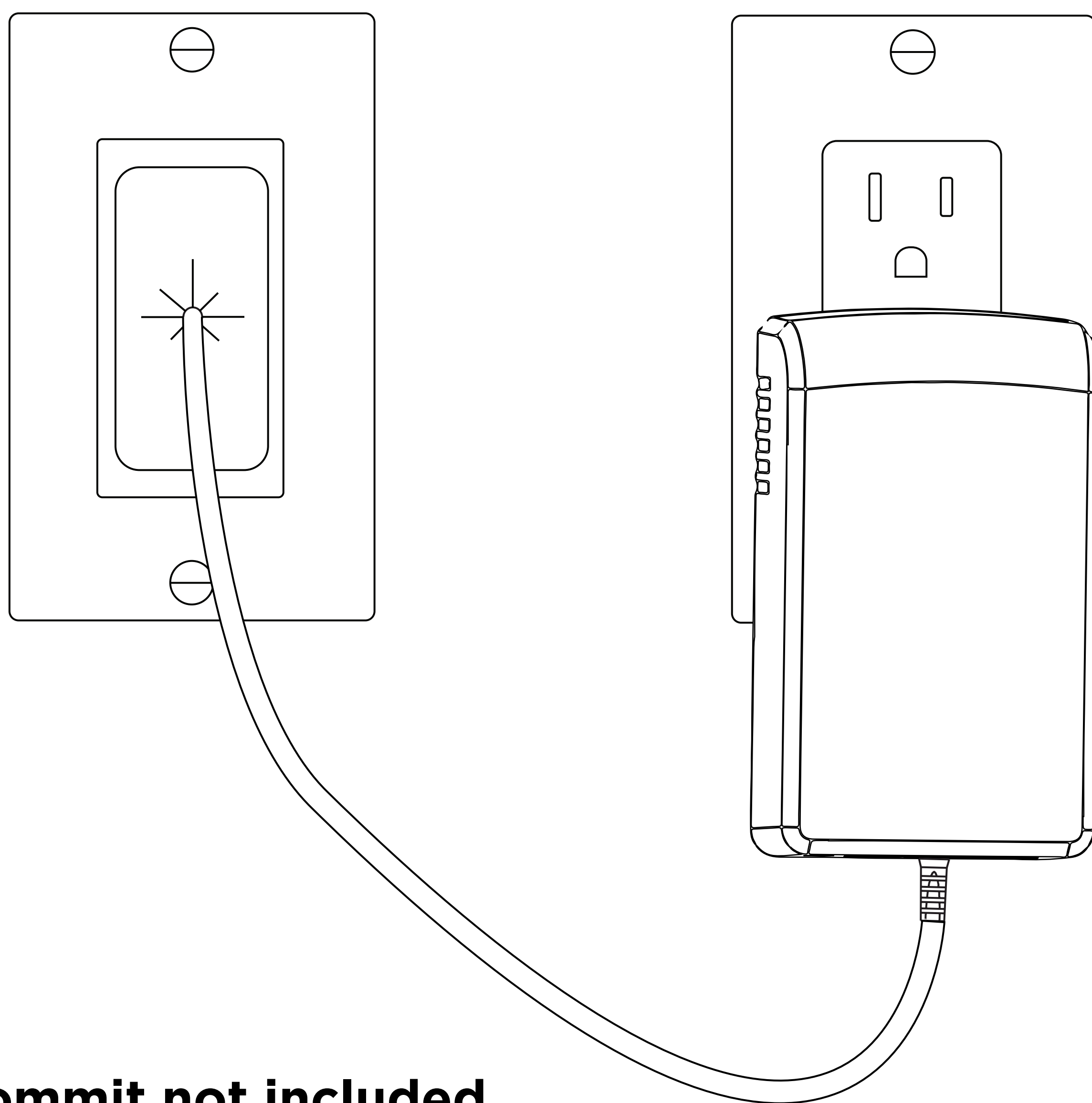


**Grommit not included**

# I PORT CONNECT PRO

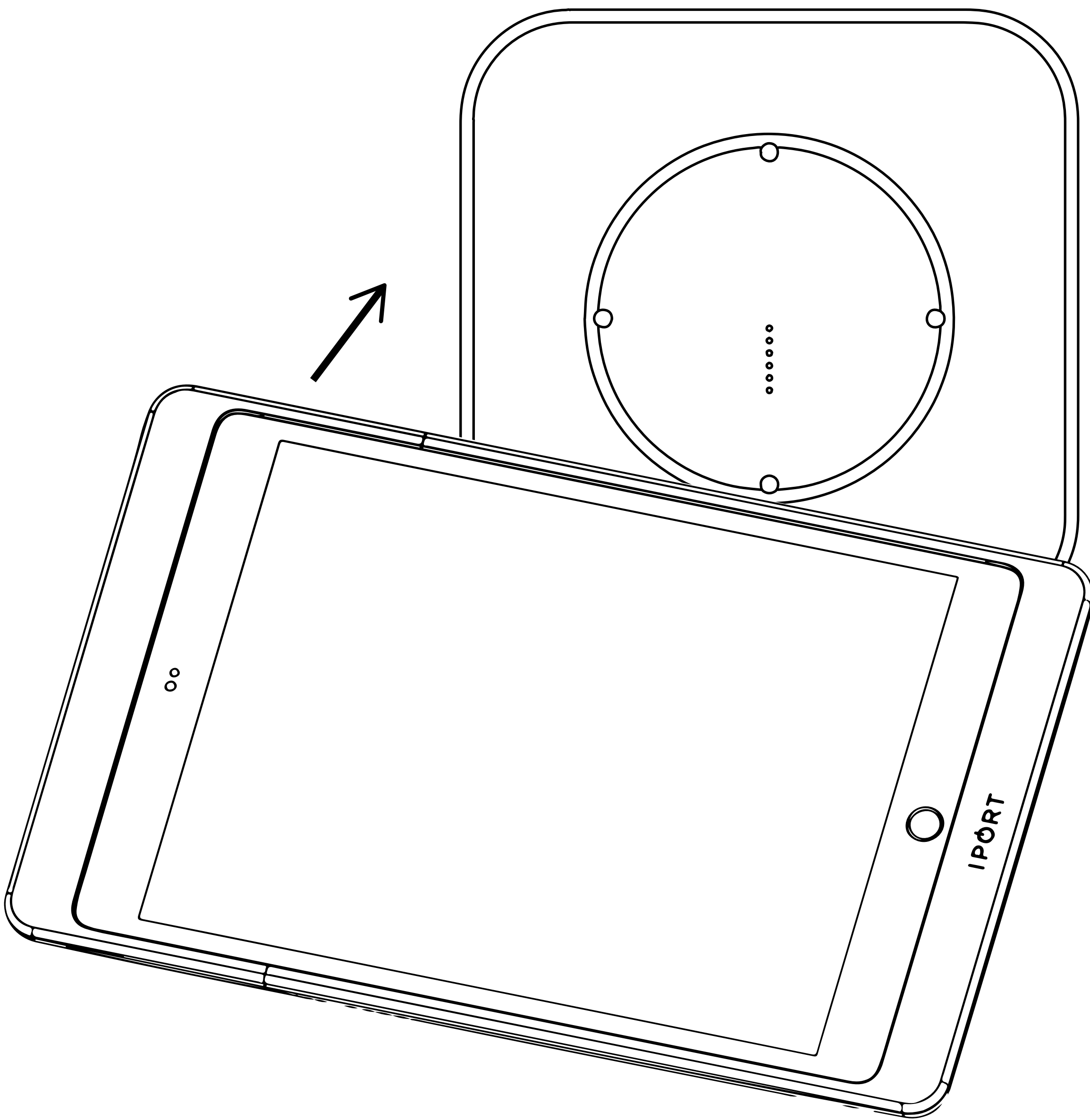
## WALLSTATION

For a clean finished look place the Connector and DC barrel plug back through the grommit into the wall.



**Grommit not included**

- 11. Place a Case with an iPad installed onto the WallStation to determine power was installed properly and the iPad charges.**

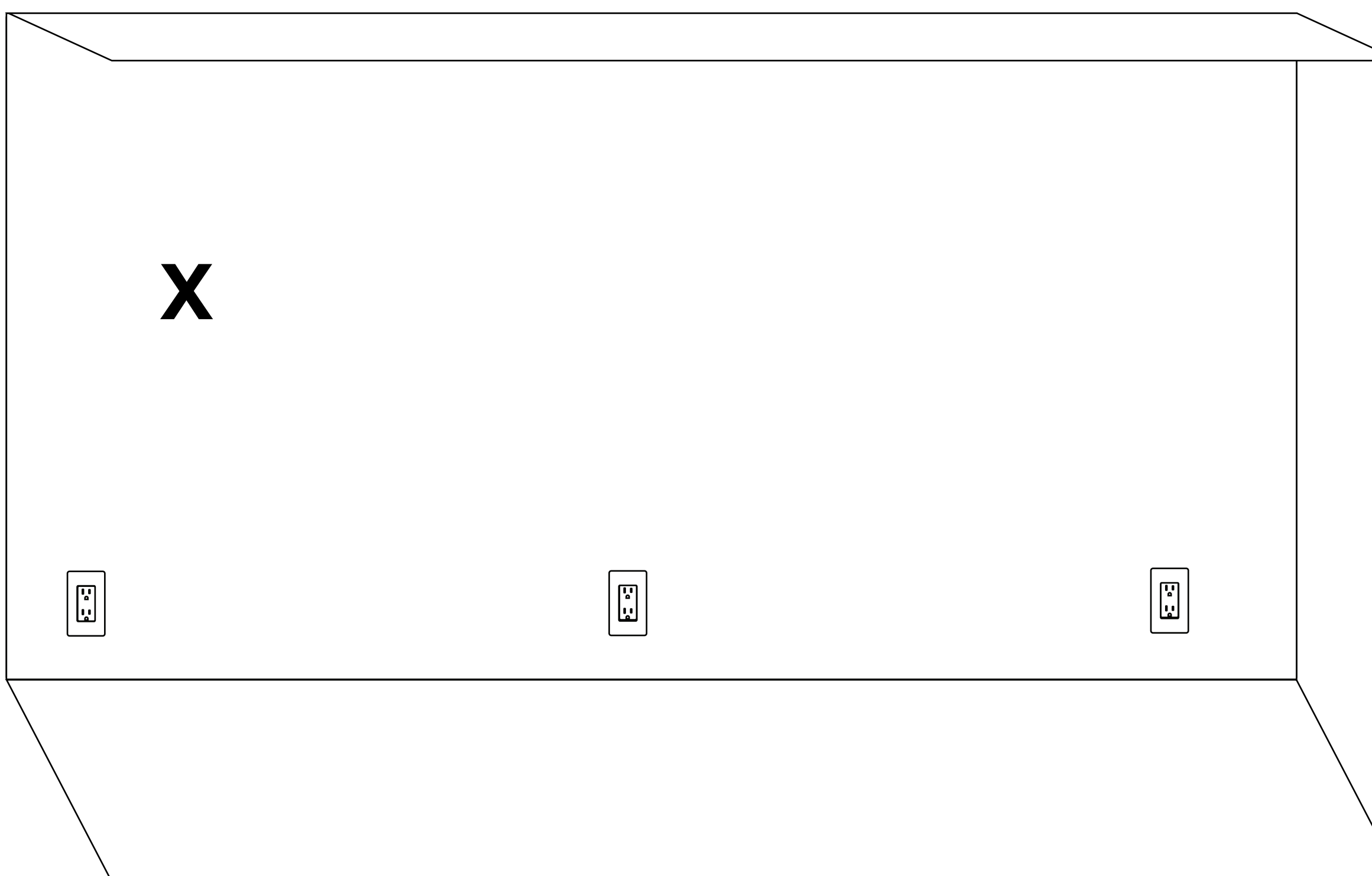


**COMPLETE**

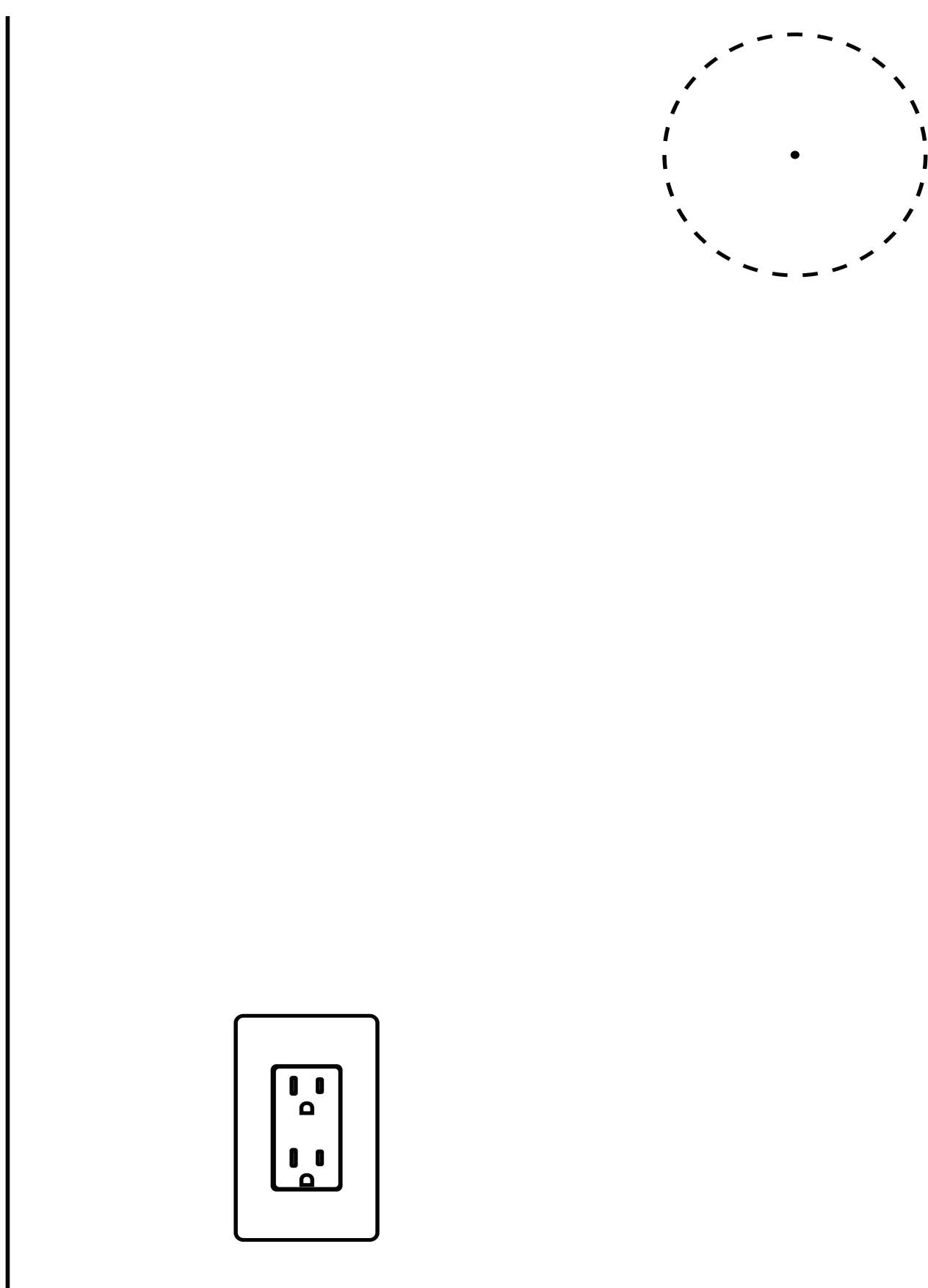
## WALLSTATION

### Installing the WallStation in Existing Construction - Cat6

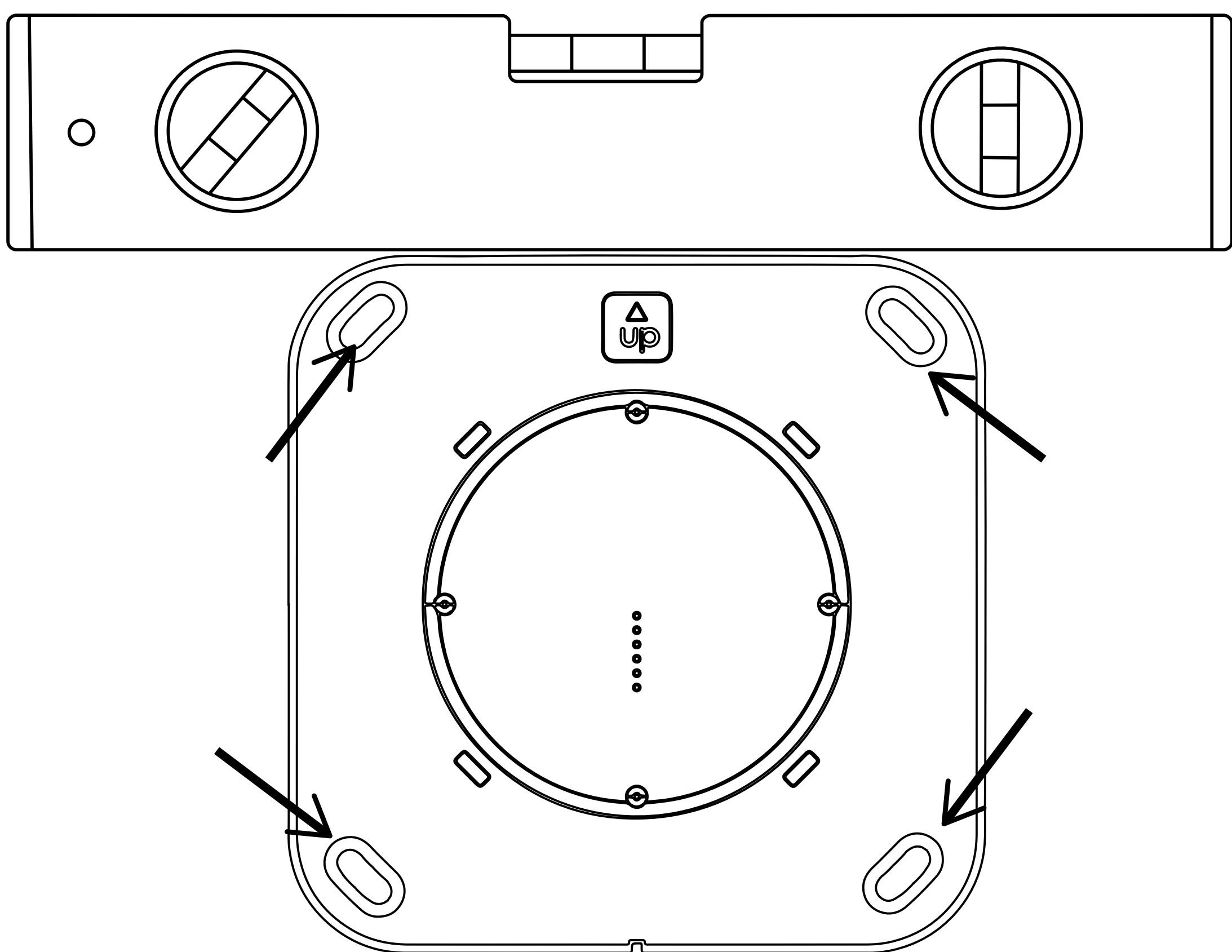
- 1. Determine the desired location of the IPORT Connect Pro WallStation.**



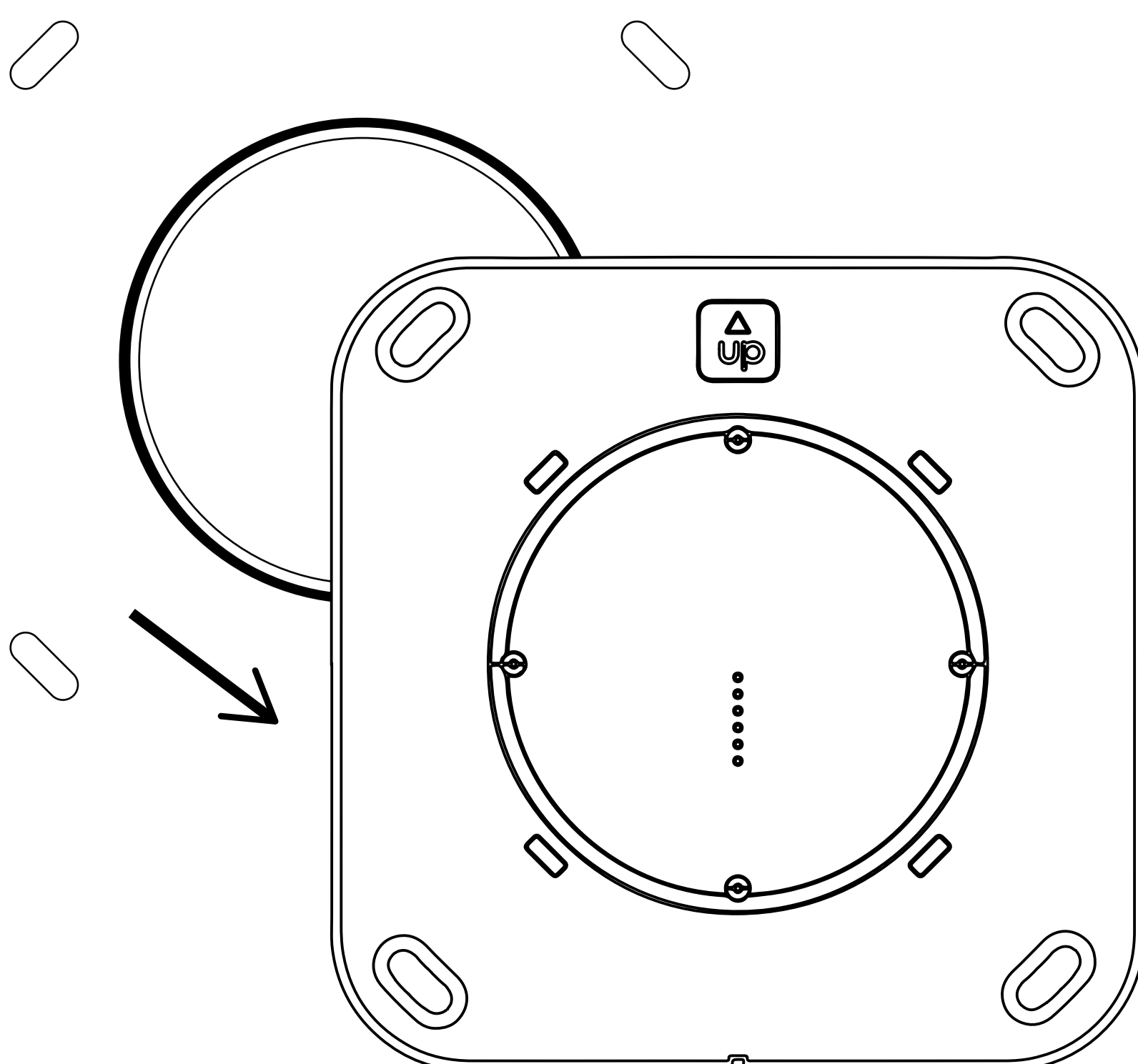
- 2. Use a 2-3/4" (70mm) hole saw to cut a hole in the desired location of the WallStation**



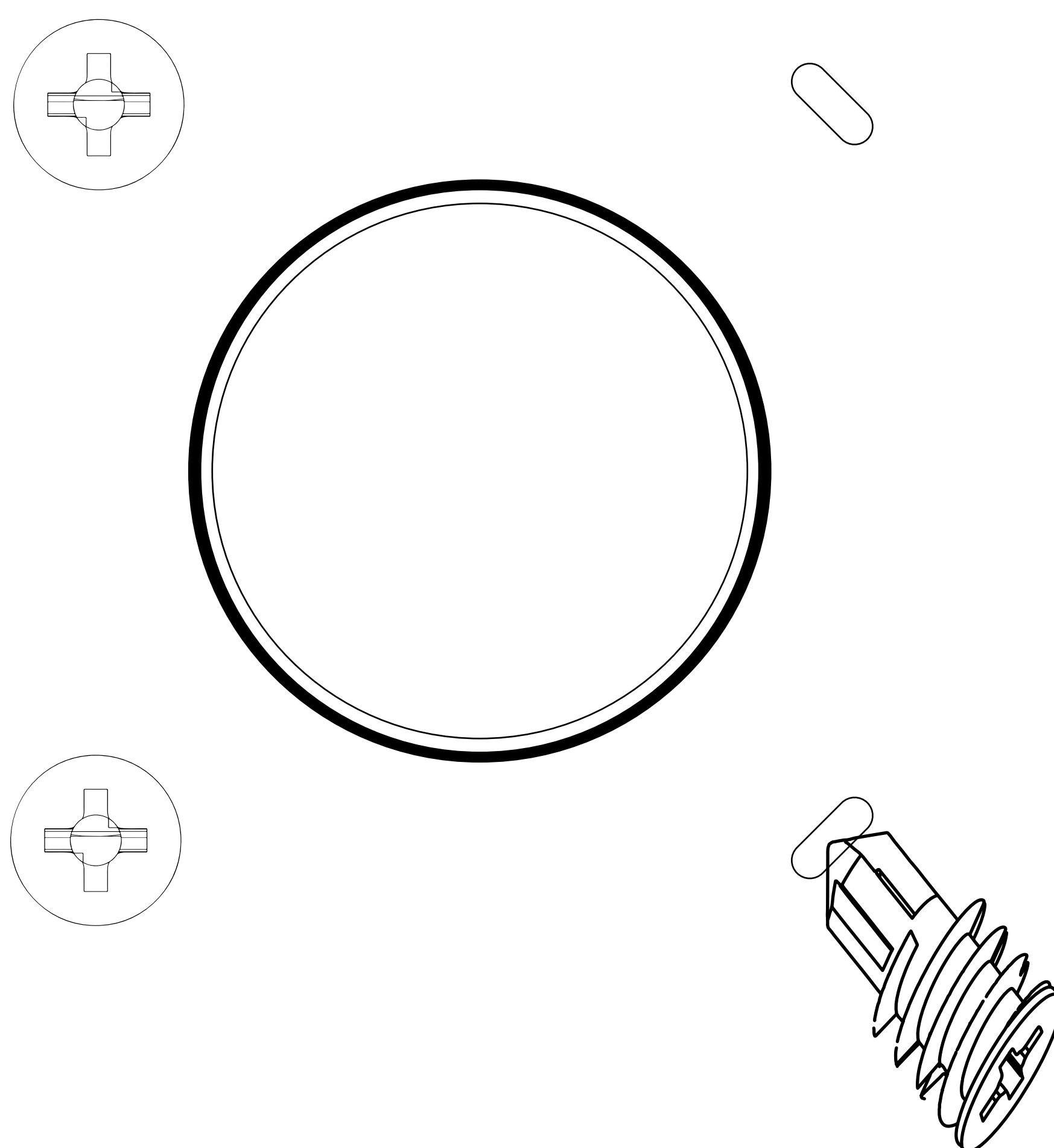
- 3. Insert the WallStation into the 2 3/4 - inch hole and use a leveling tool to level the WallStation. Mark the 4 locations for the provided Anchors.**



- 4. Remove the WallStation from the wall once you have marked the 4 anchor locations.**

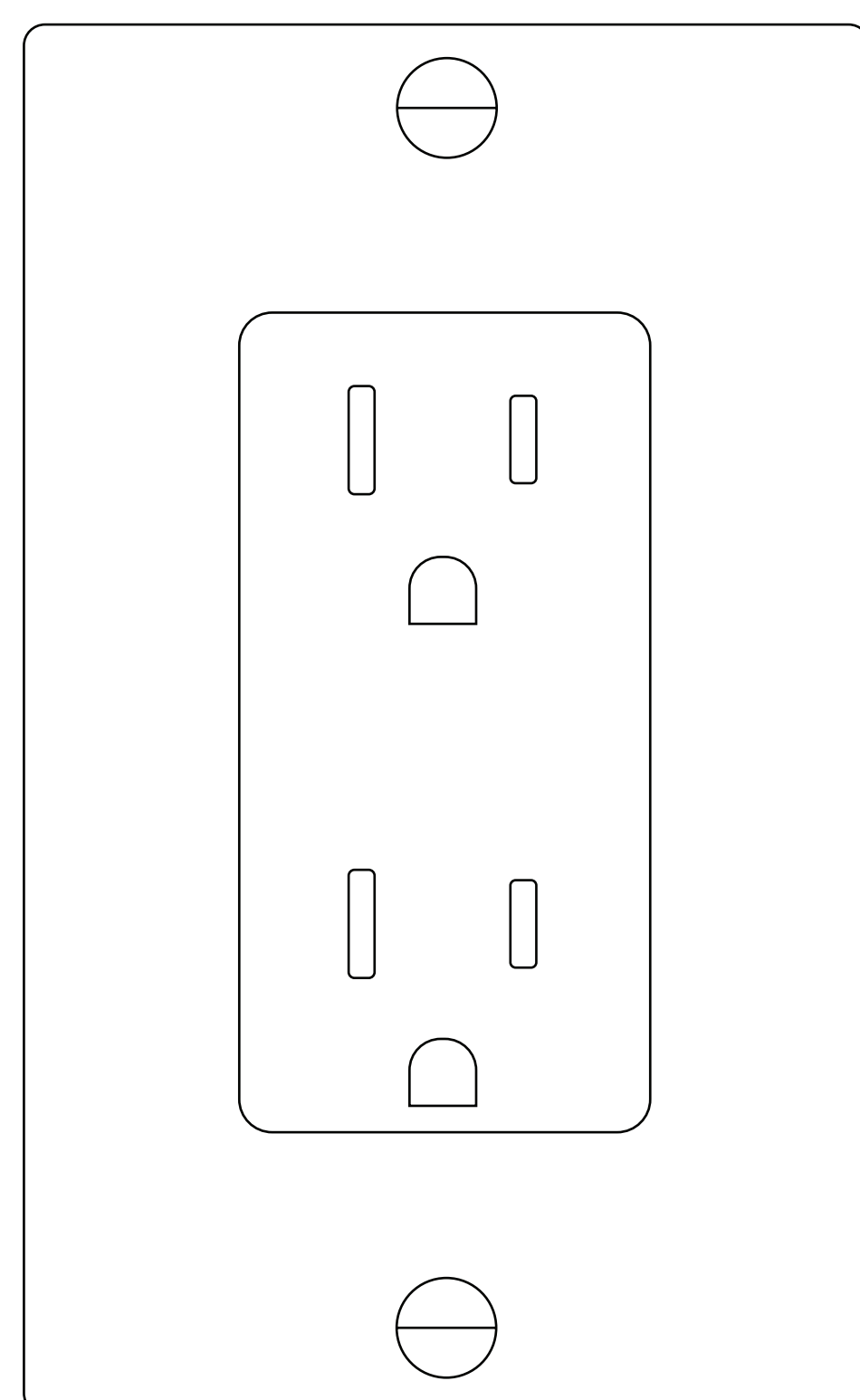
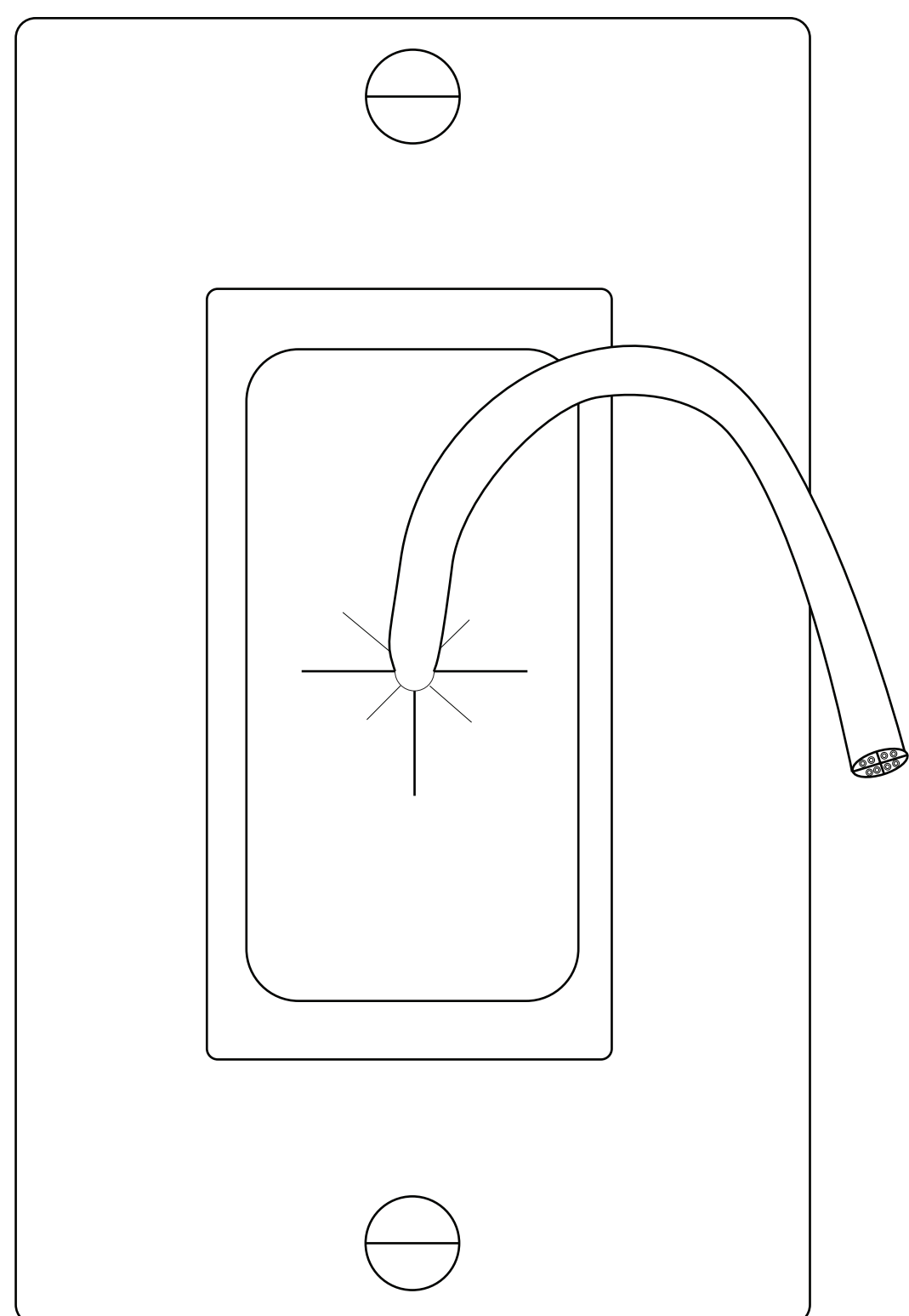
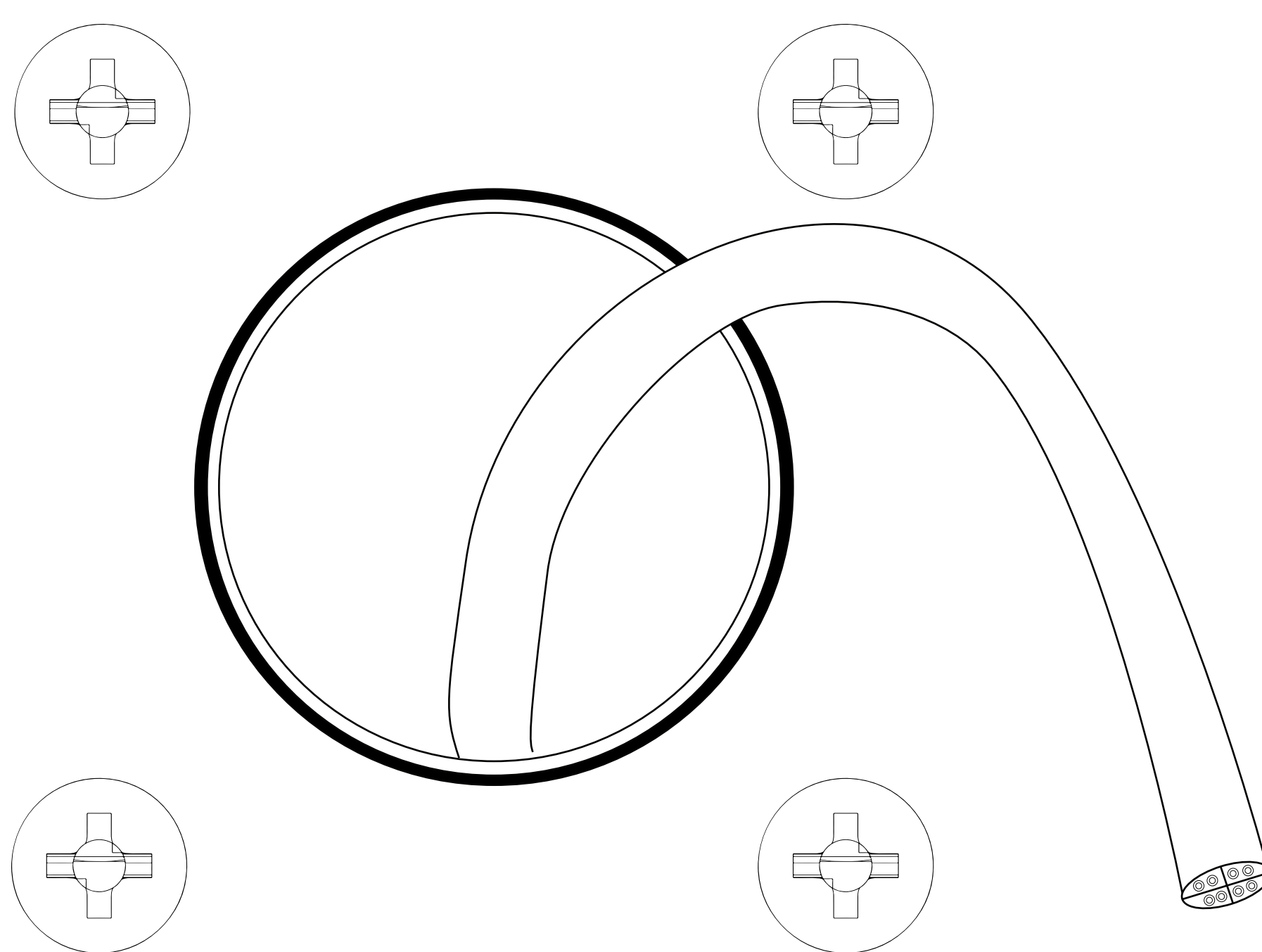


- 5. Screw the provided anchors into the wall where marked.**



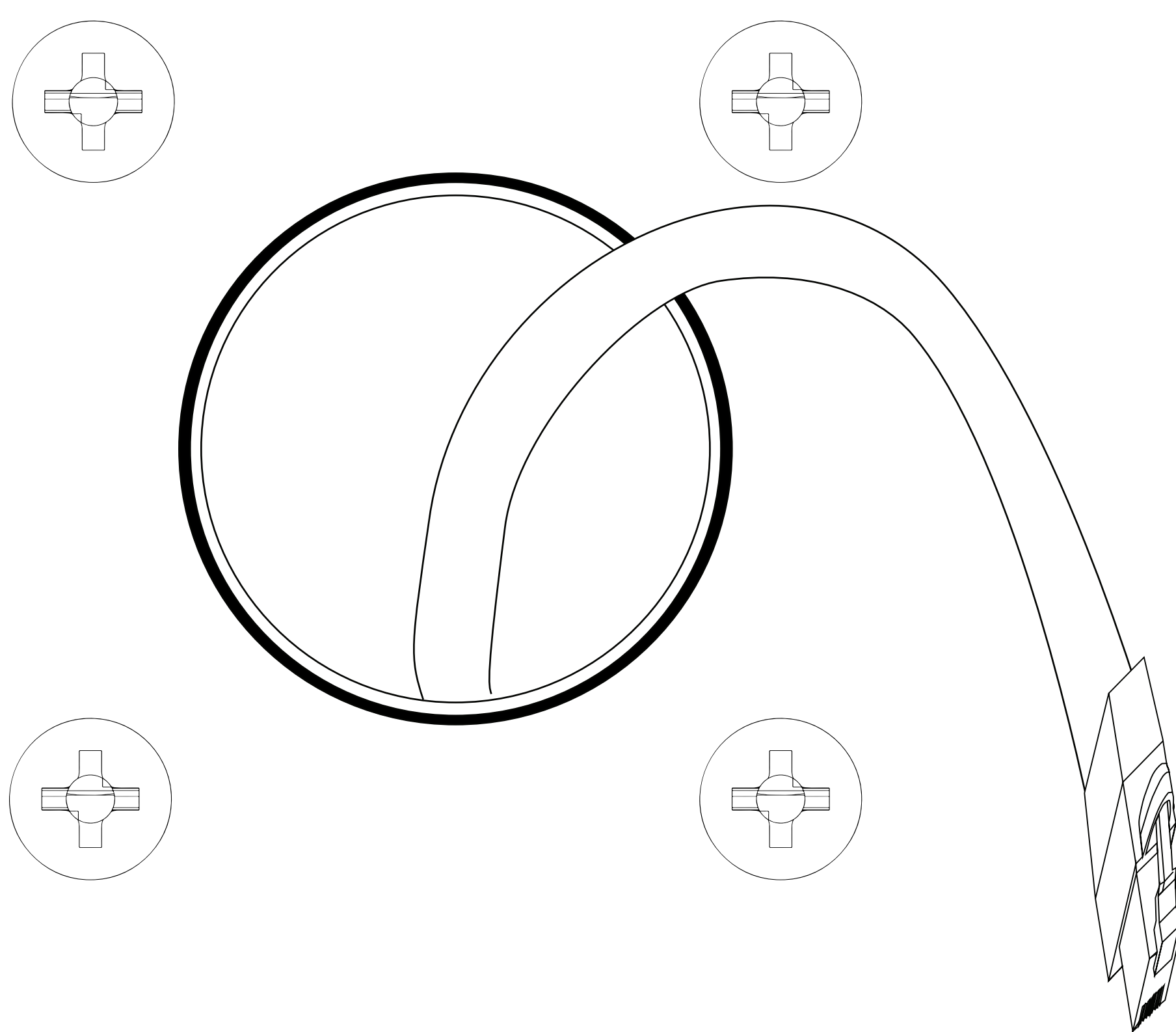
## WALLSTATION Existing Constructions Cat6

6. Use the 2 3/4 - inch hole to fish a Cat6 cable to a nearby AC outlet, closet or network rack.

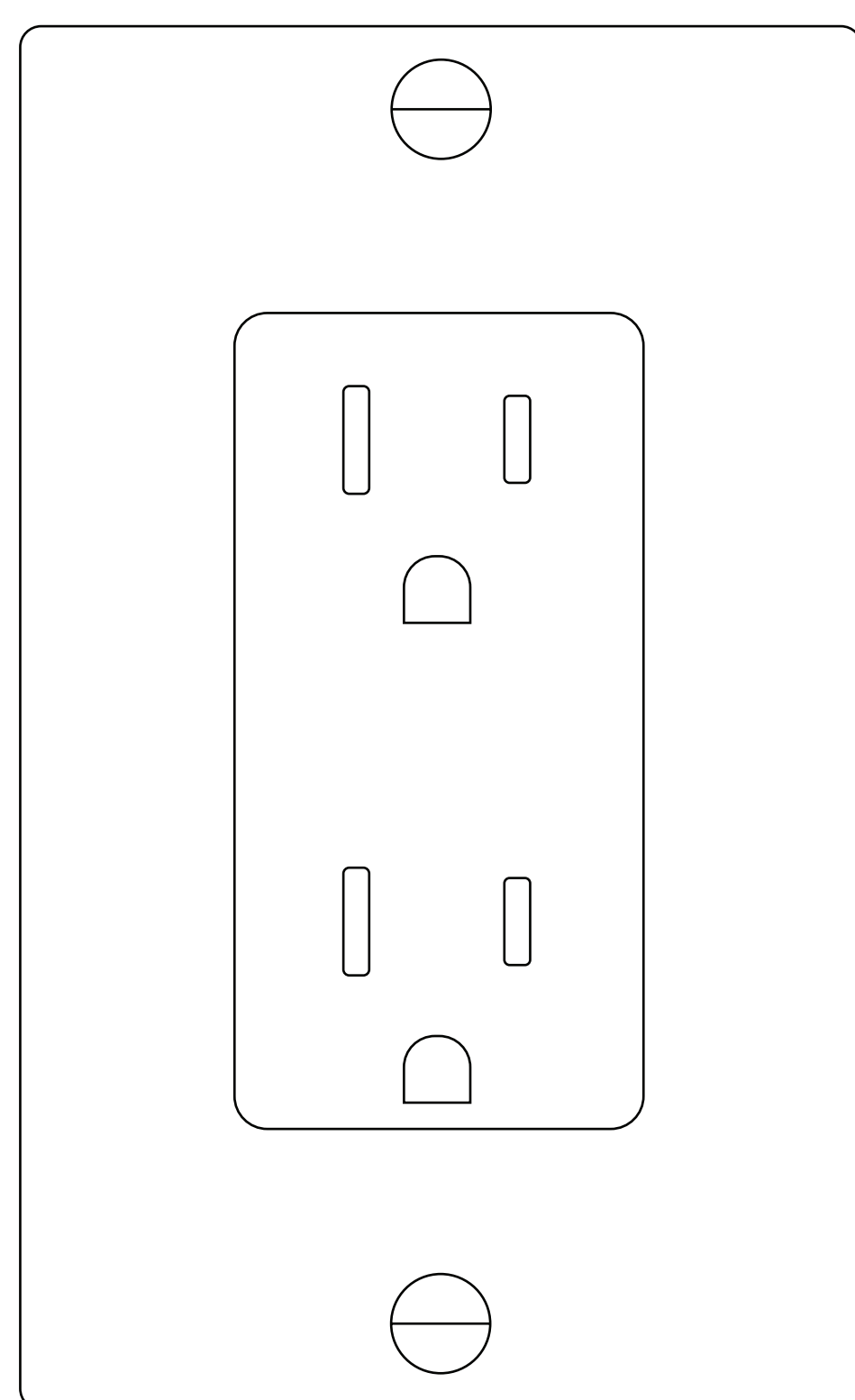
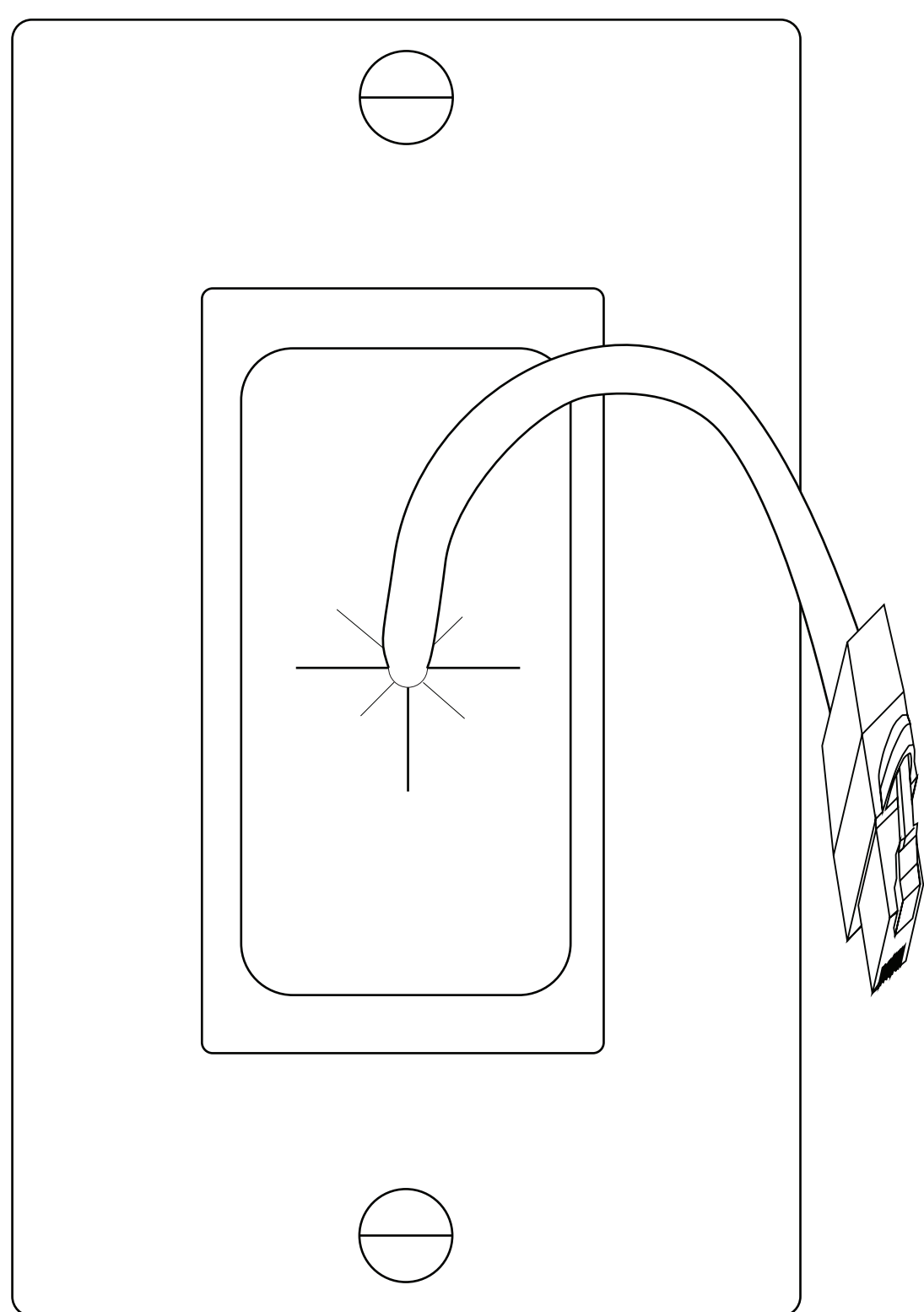


**Grommit not included**

### 7. Terminate both ends the Cat6 with an RJ45 Connector using T568A or T568B standards

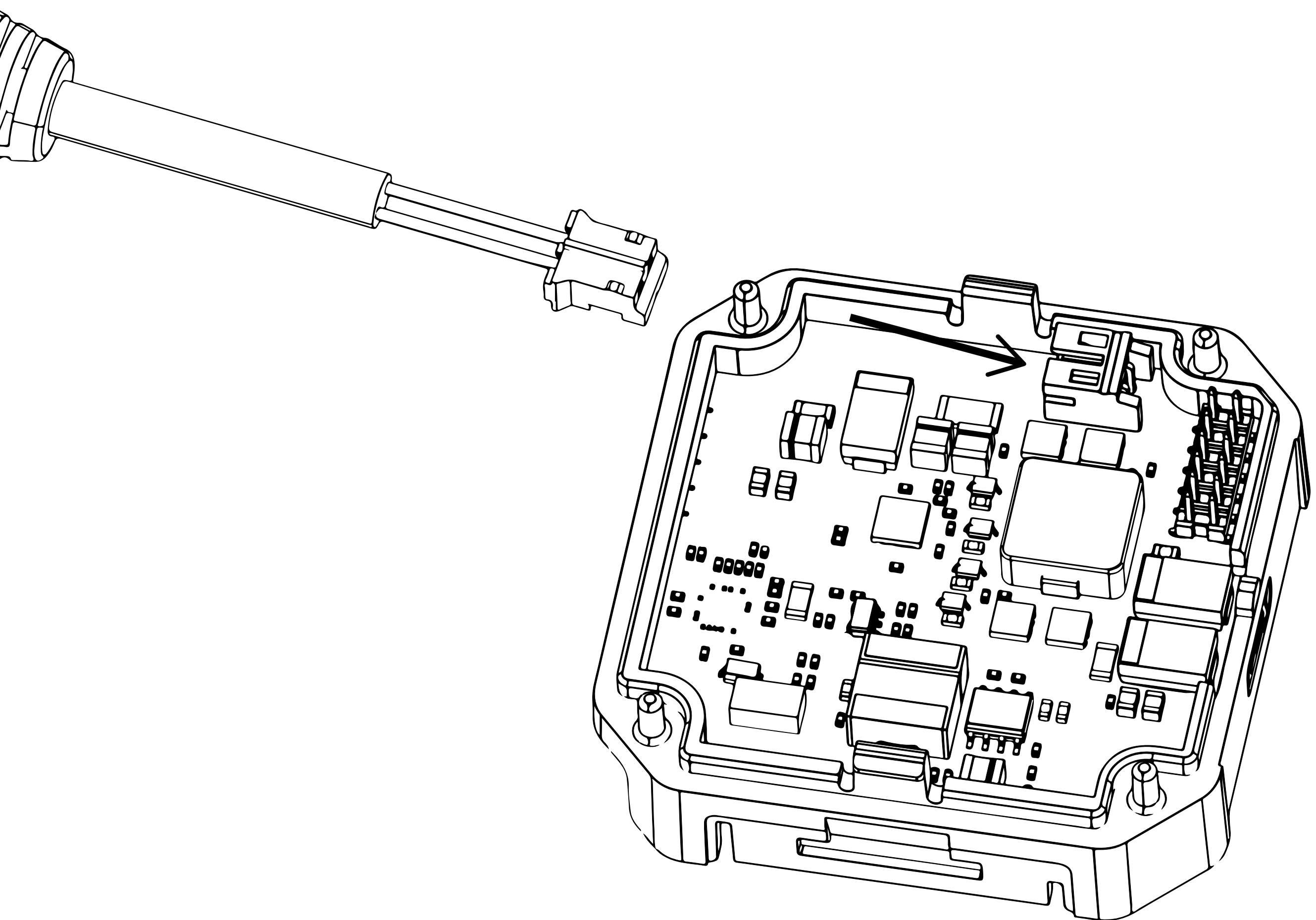
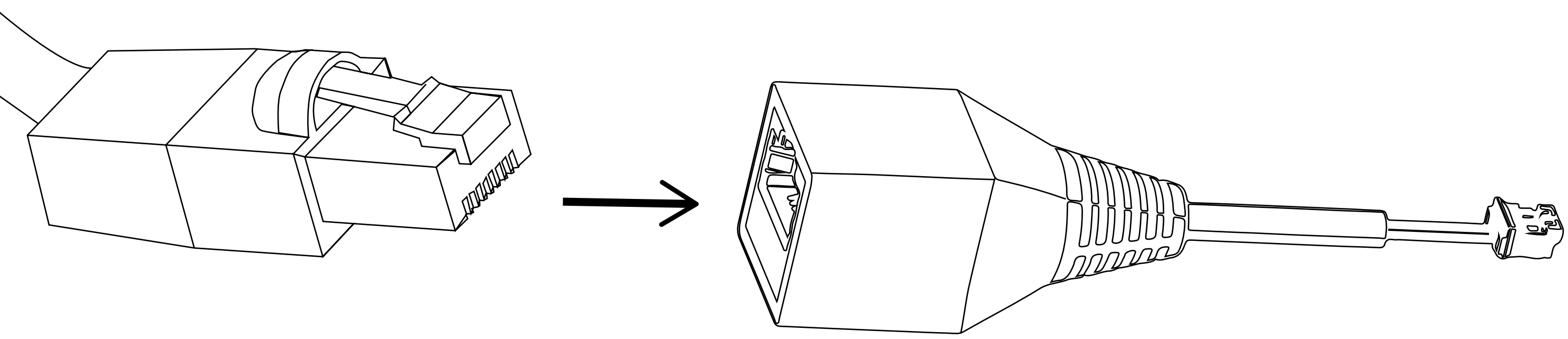


**Label wire WARNING: Only for DC Low Voltage - Not for PoE**



**Grommit not included**

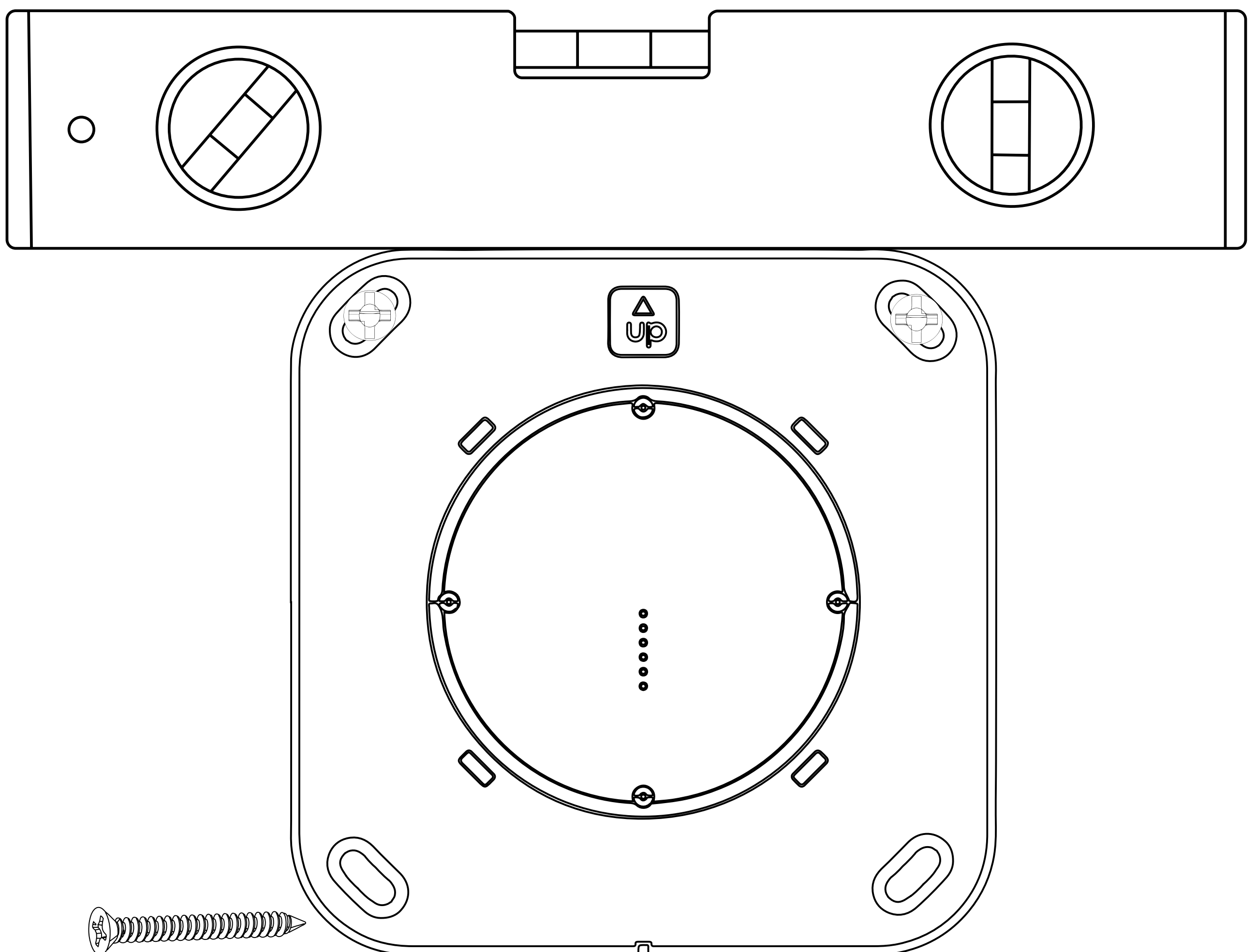
- 8. Connect the RJ-45 to TE Connector provided to the Cat6 cable and onto the white TE connector WallStation DC Adapter.**



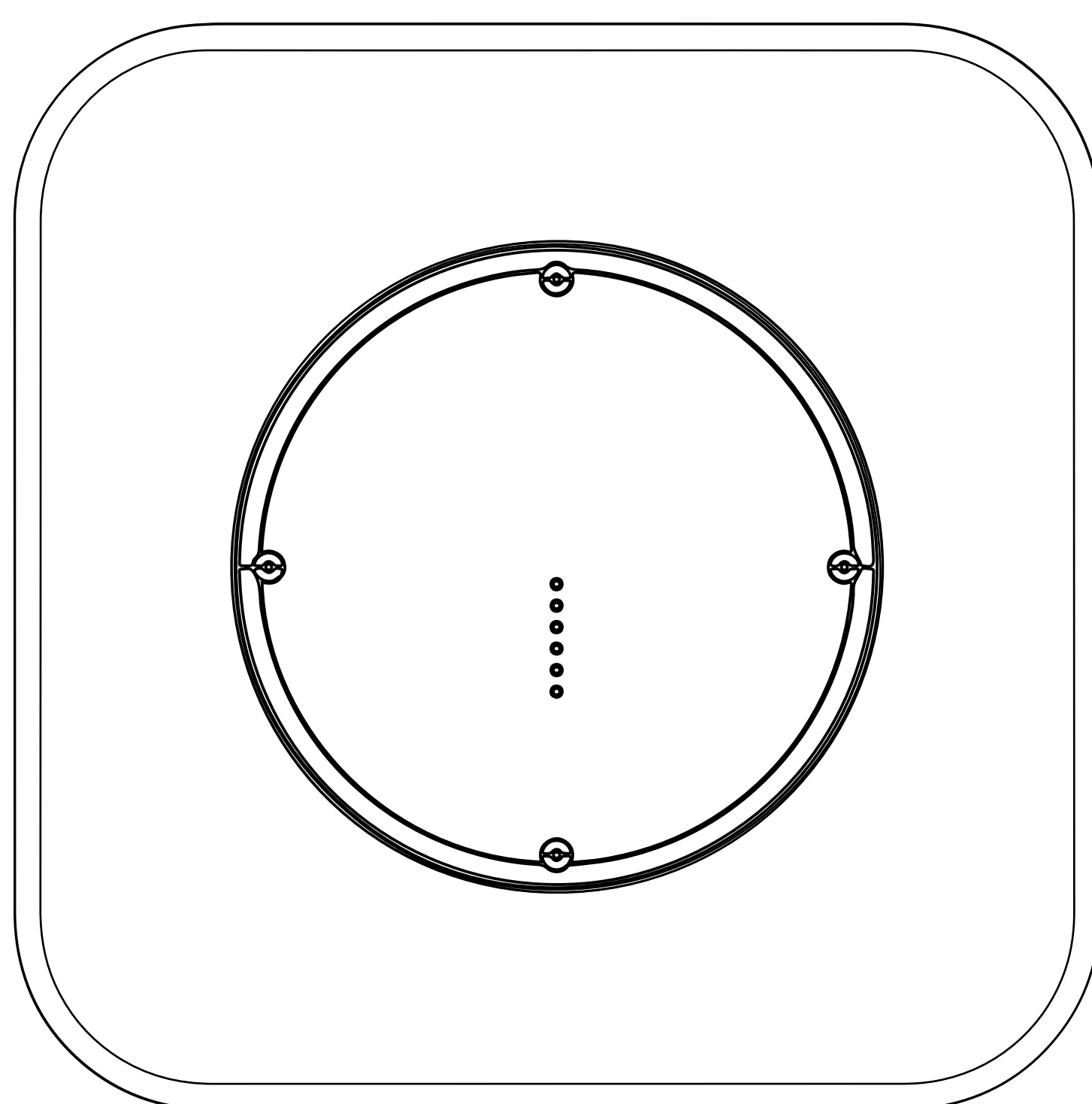
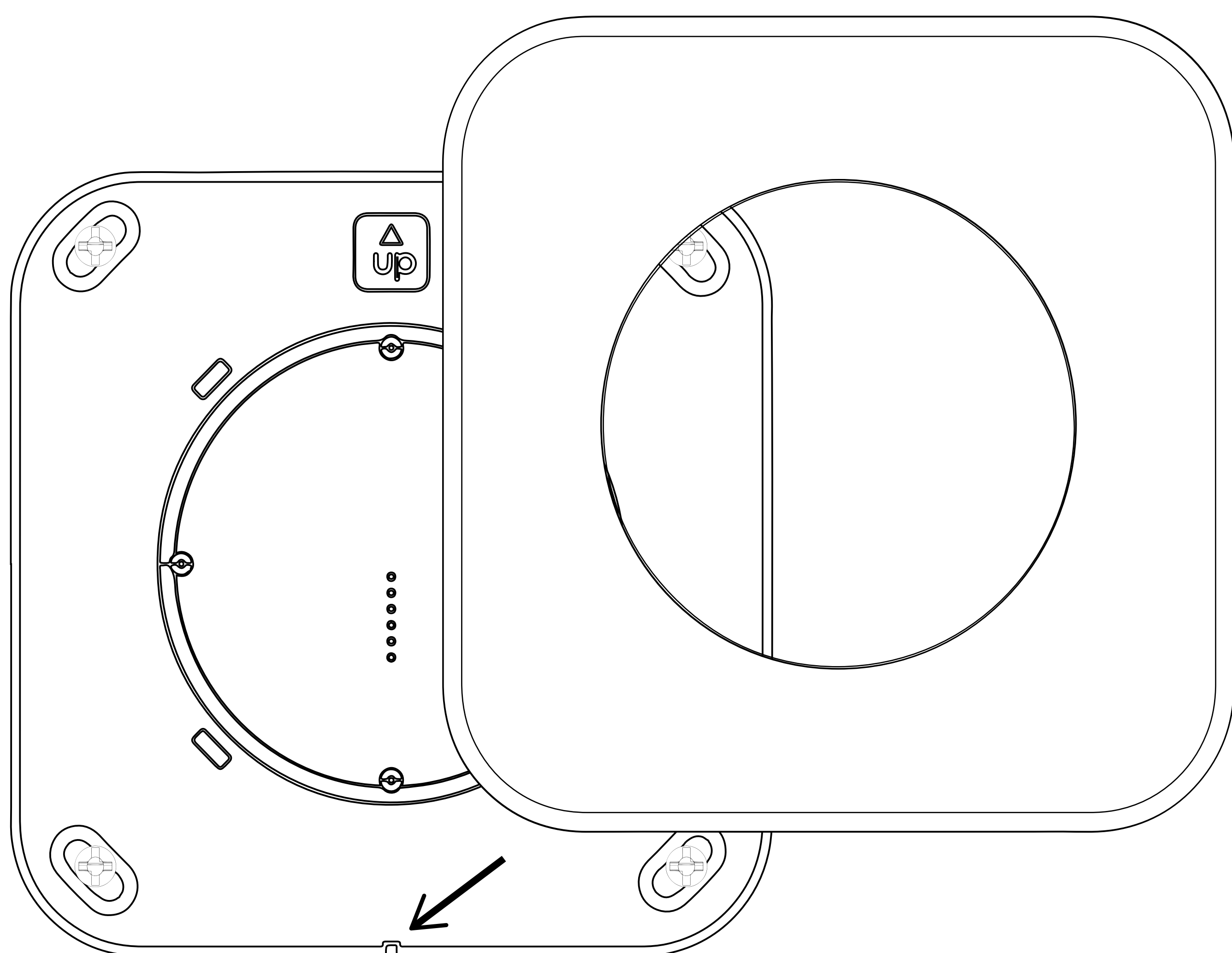
**Zip tie the Connector to the DC board for added cable retention.**

- 9. Insert the WallStation back into the wall and use the provided screws to attach the WallStation to the wall anchors.**

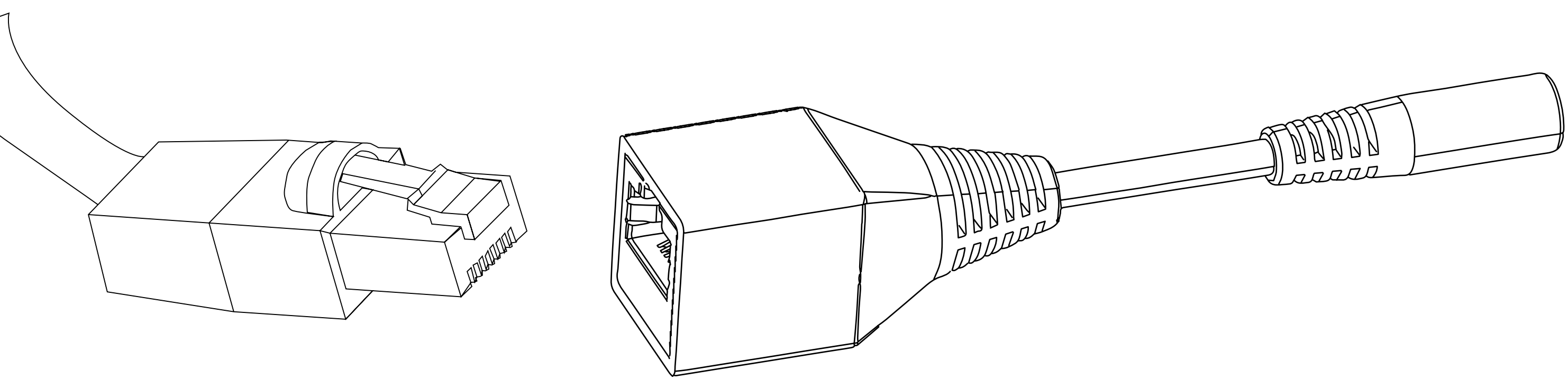
**IMPORTANT: Make Sure to position the WallStation with the Up Arrow facing up. Use a leveling tool to level the WallStation and hand tighten the screws.**



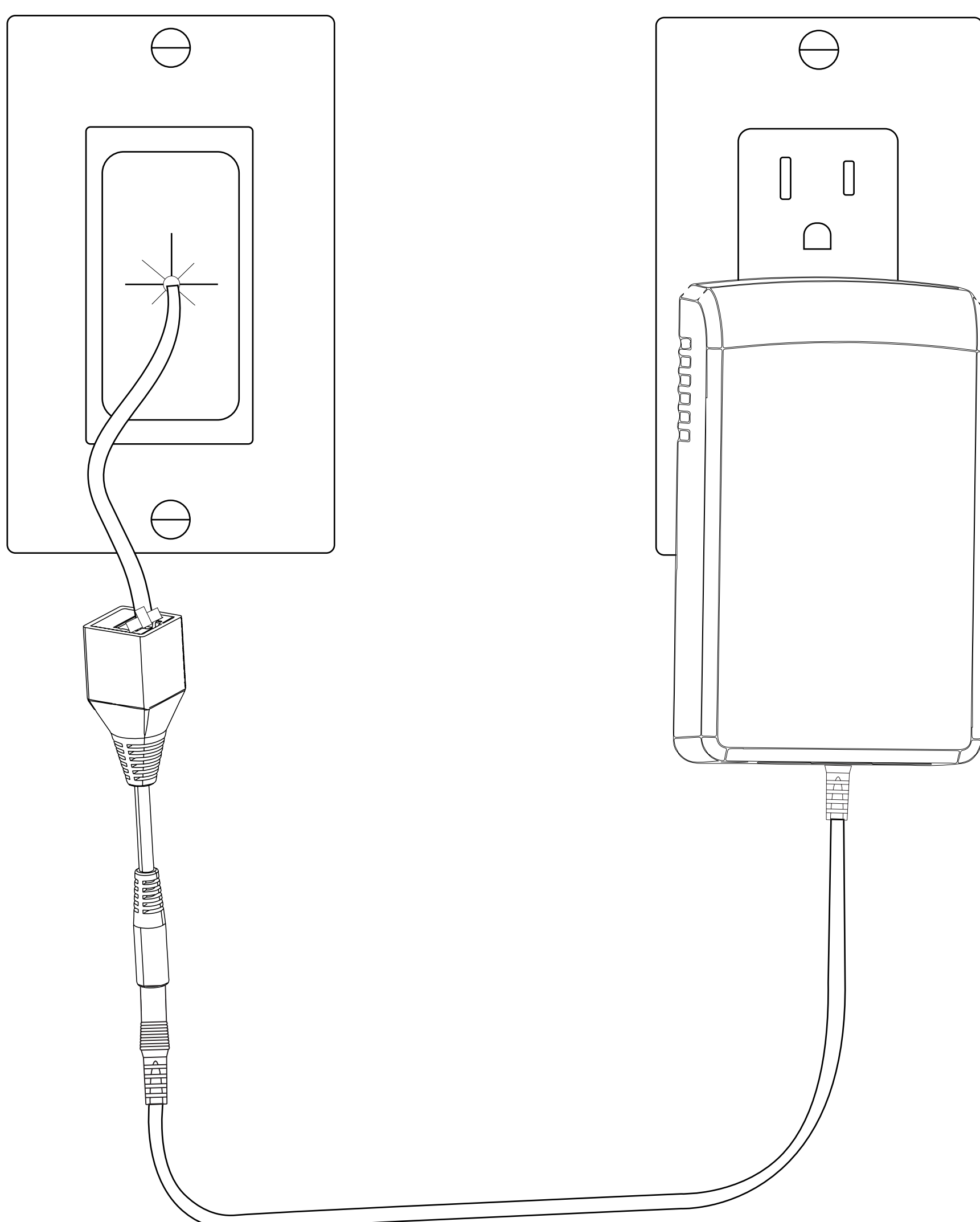
- 10. Attach the WallStation Cover Plate over the WallStation making sure to align the positioning notch with the tooth on the WallStation.**



- 11. Connect the RJ-45 to DC Connector at the other end of the Cat6 Cable.**



- 12. Connect the Provided DC Power Adapter into the wall and connect the barrel connector to the other end of the RJ-45-DC adapter.**

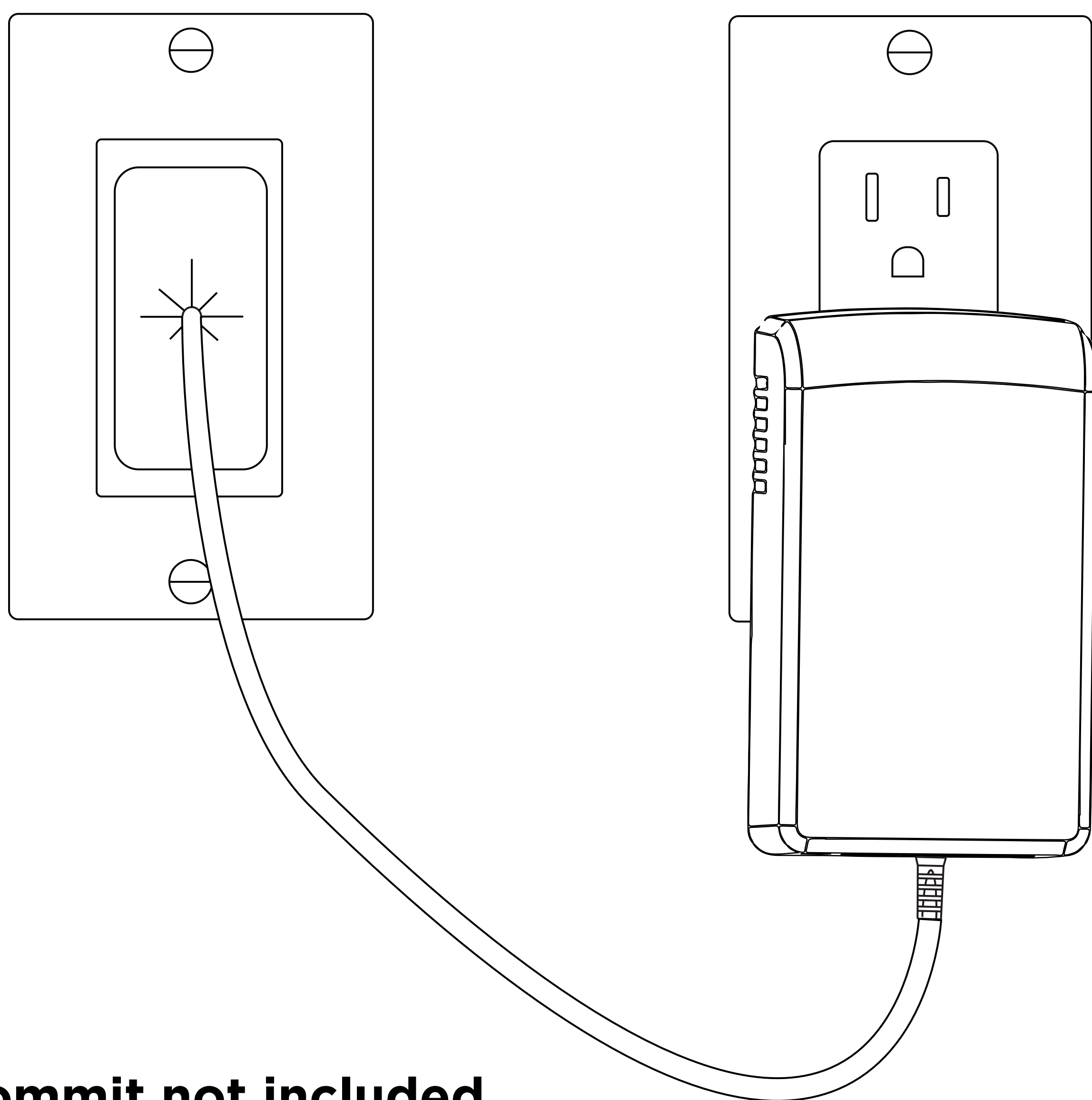


**Grommit not included**

# I PORT CONNECT PRO

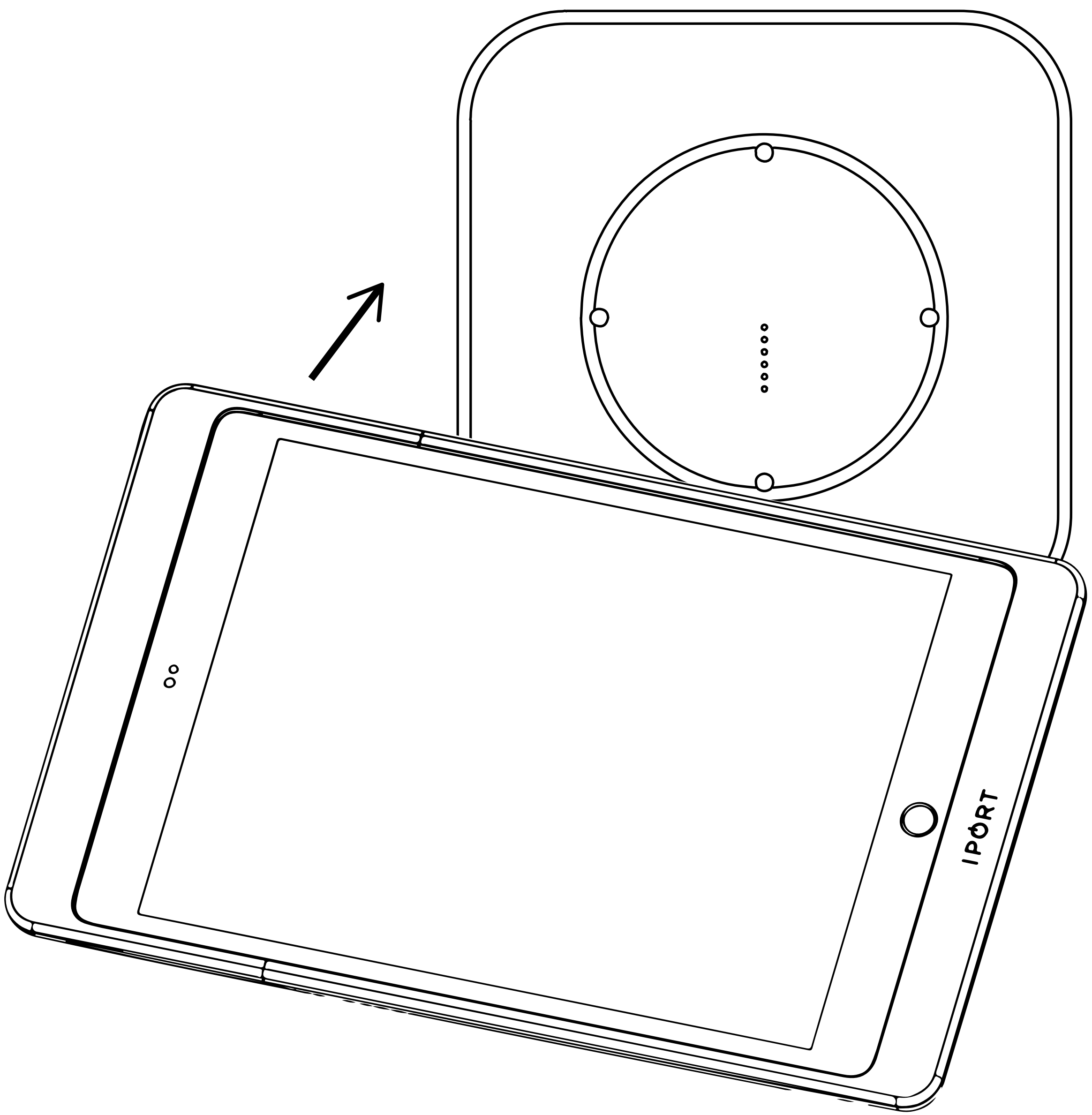
## WALLSTATION

**For a clean finished look place the Connector and DC barrel plug back through the grommit into the wall.**



**Grommit not included**

- 13. Place a Case with an iPad installed onto the WallStation to determine power was installed properly and the iPad charges.**

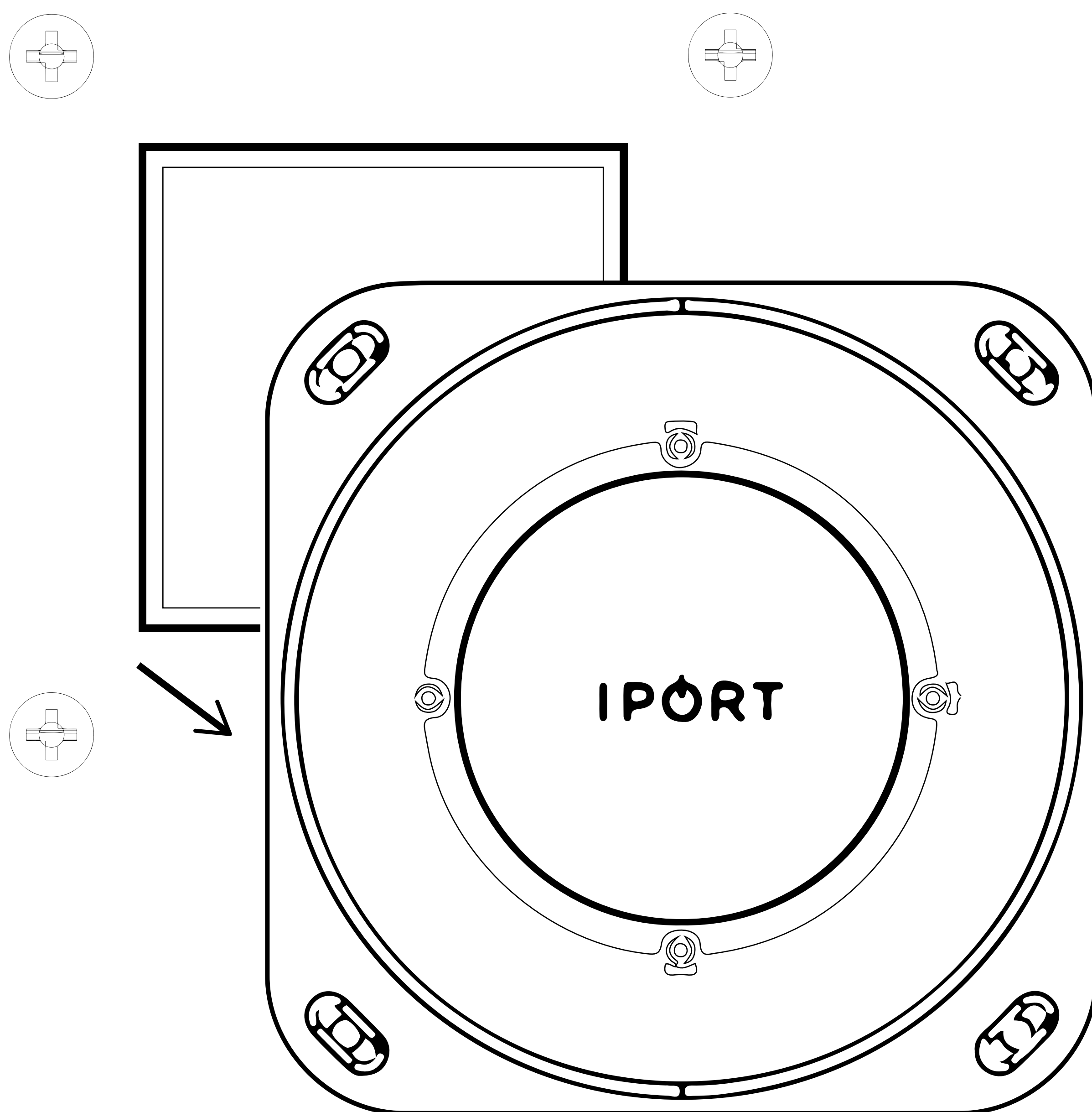


**COMPLETE**

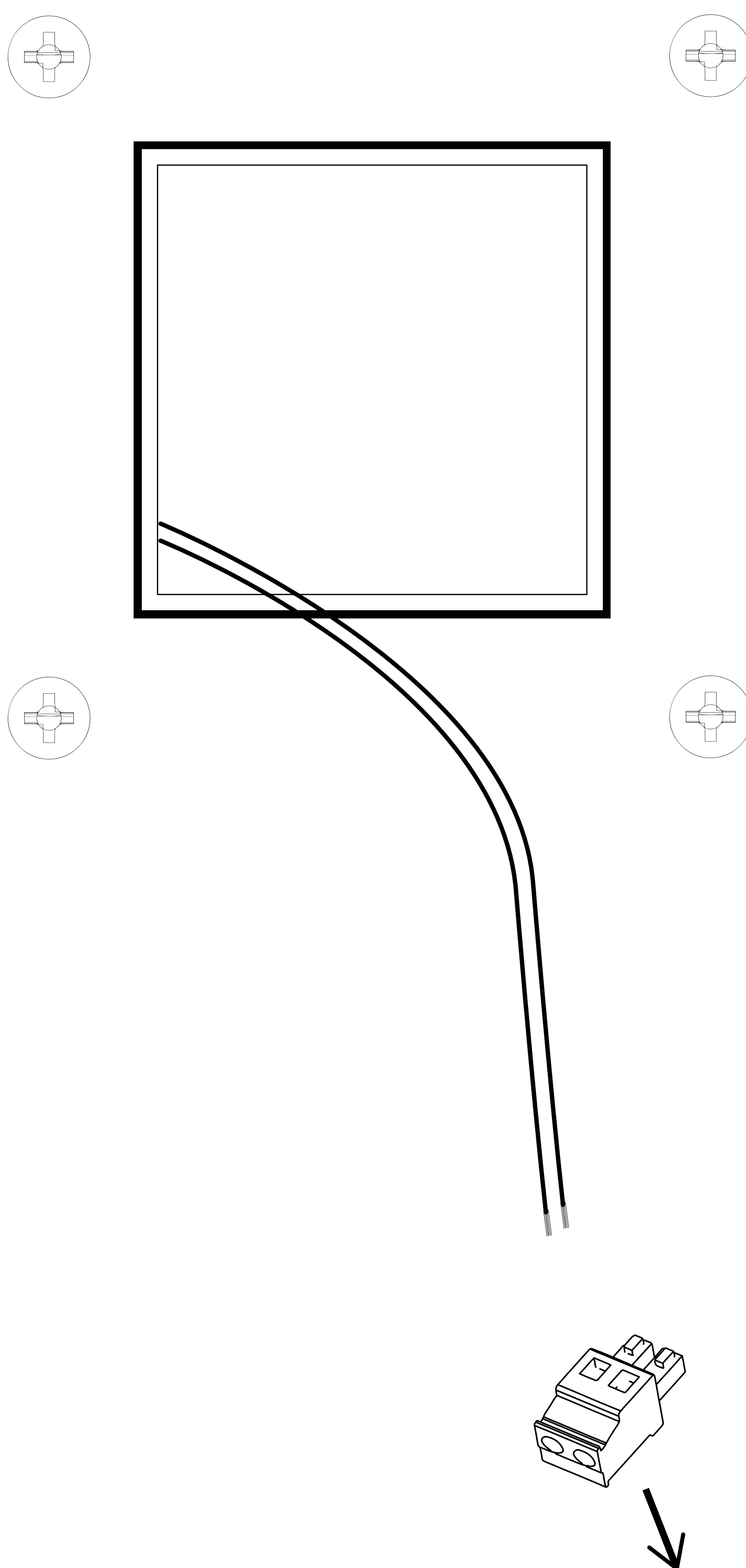
## WALLSTATION

### Upgrading a LAUNCH WallStation to CONNECT PRO

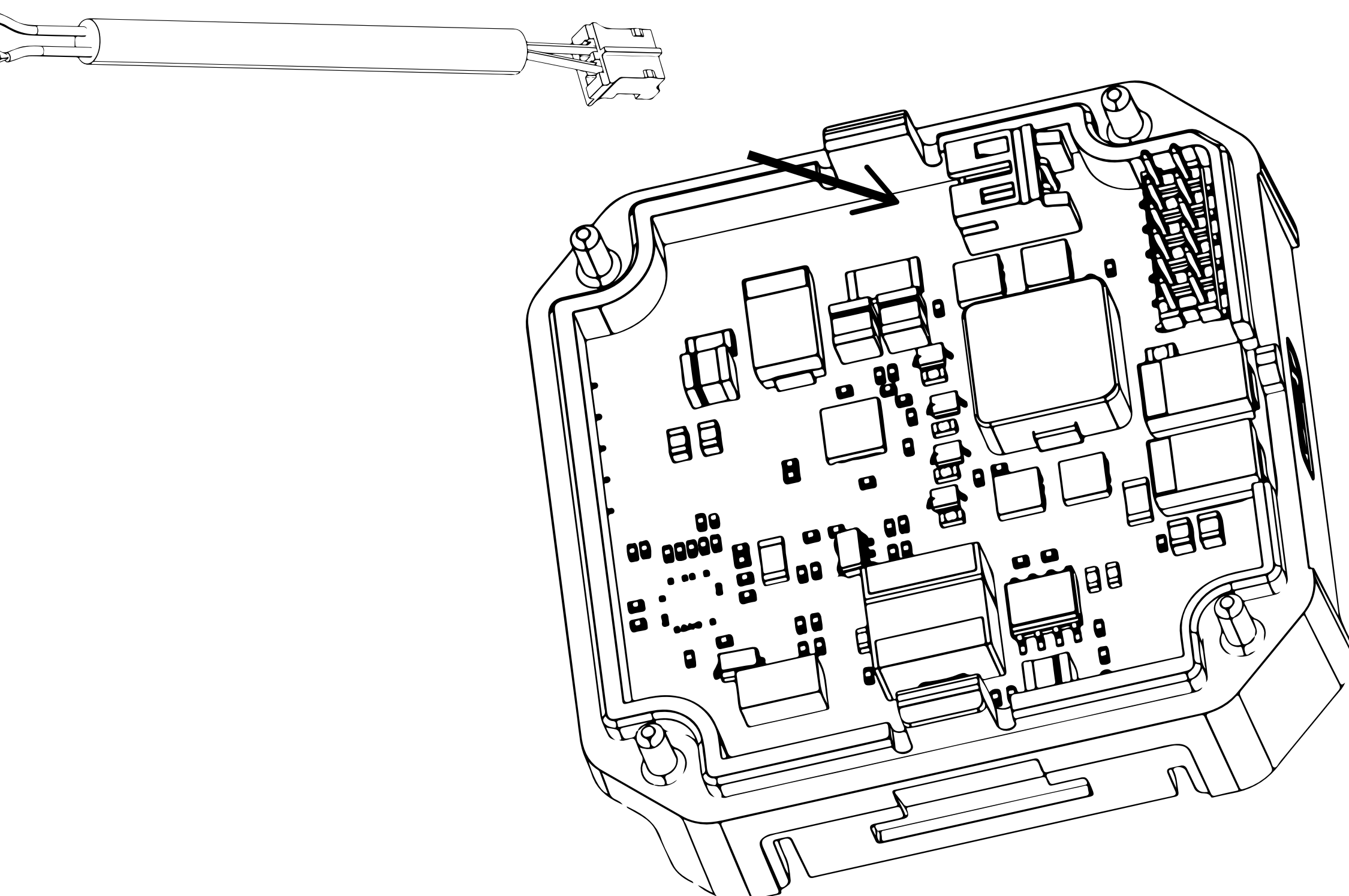
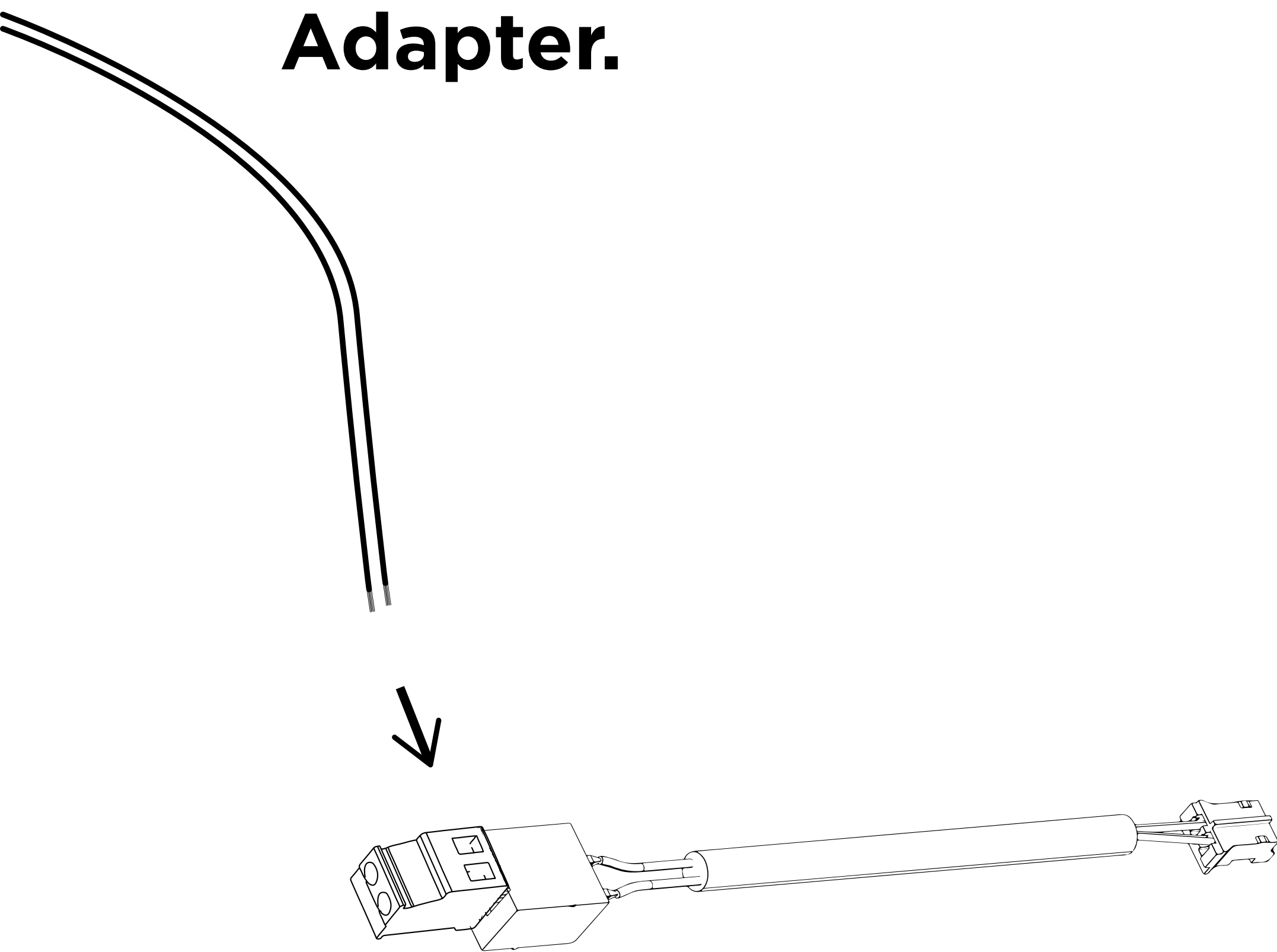
- 1. Remove the old LAUNCH WallStation from the wall making sure to keep the existing anchors installed into the wall.**



### 2. Disconnect the two wires in the wall from the green phoenix connector

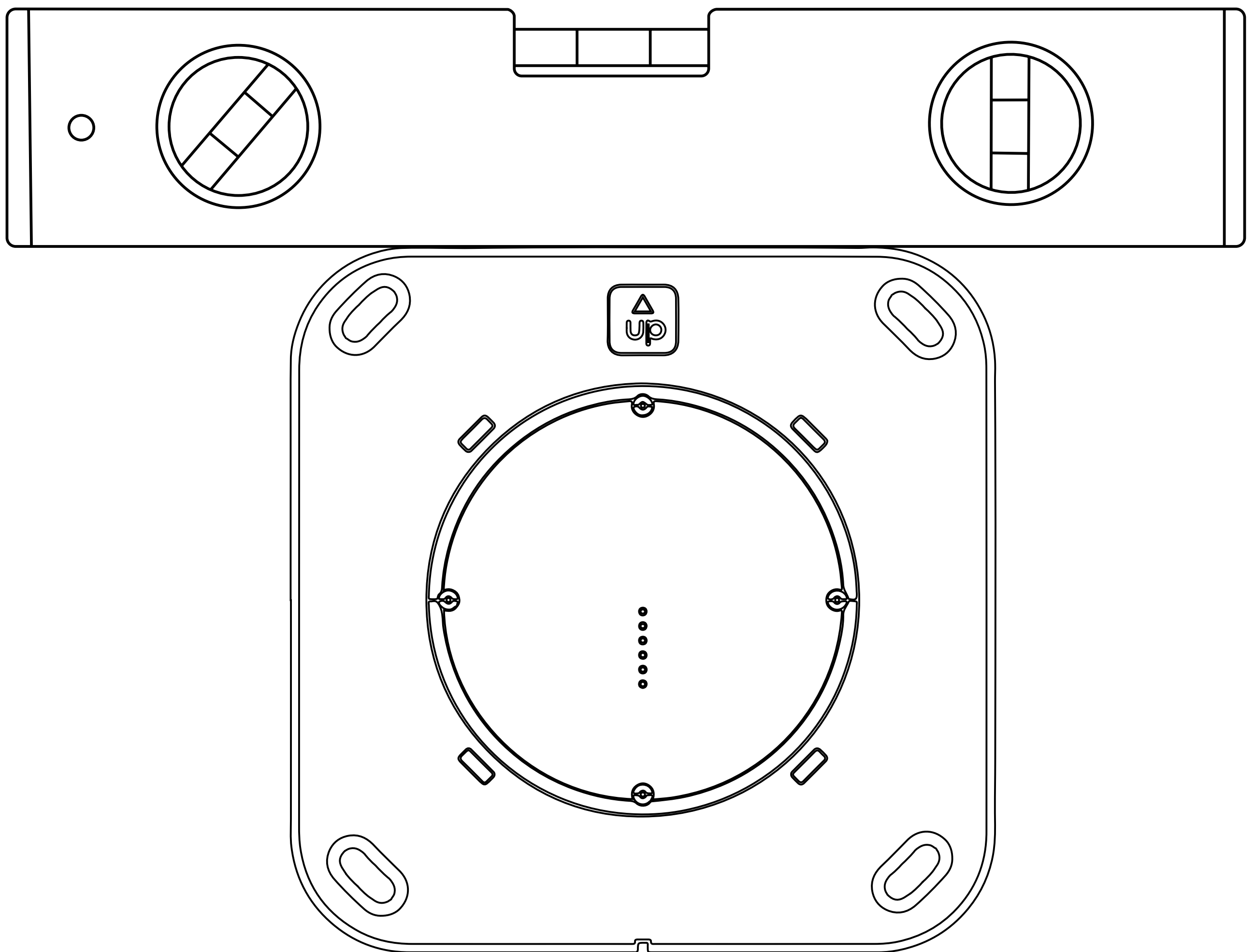


- 3. Connect the TE-Phoenix connector to the existing wire ran in the wall. Next connect the TE cable into the back of the white TE Connector on the WallStation DC Adapter.**

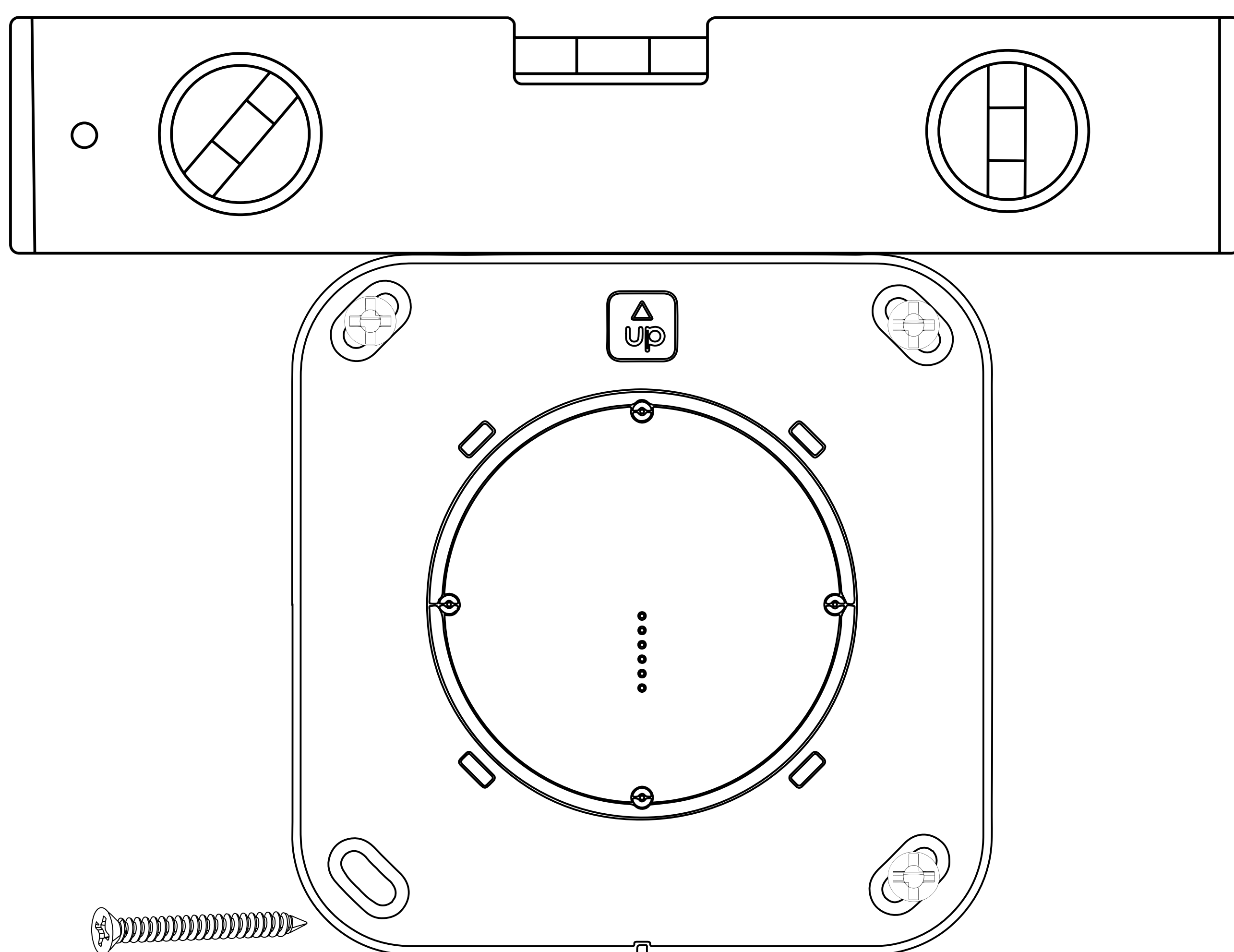


**Zip tie the Connector to the DC board for added cable retention.**

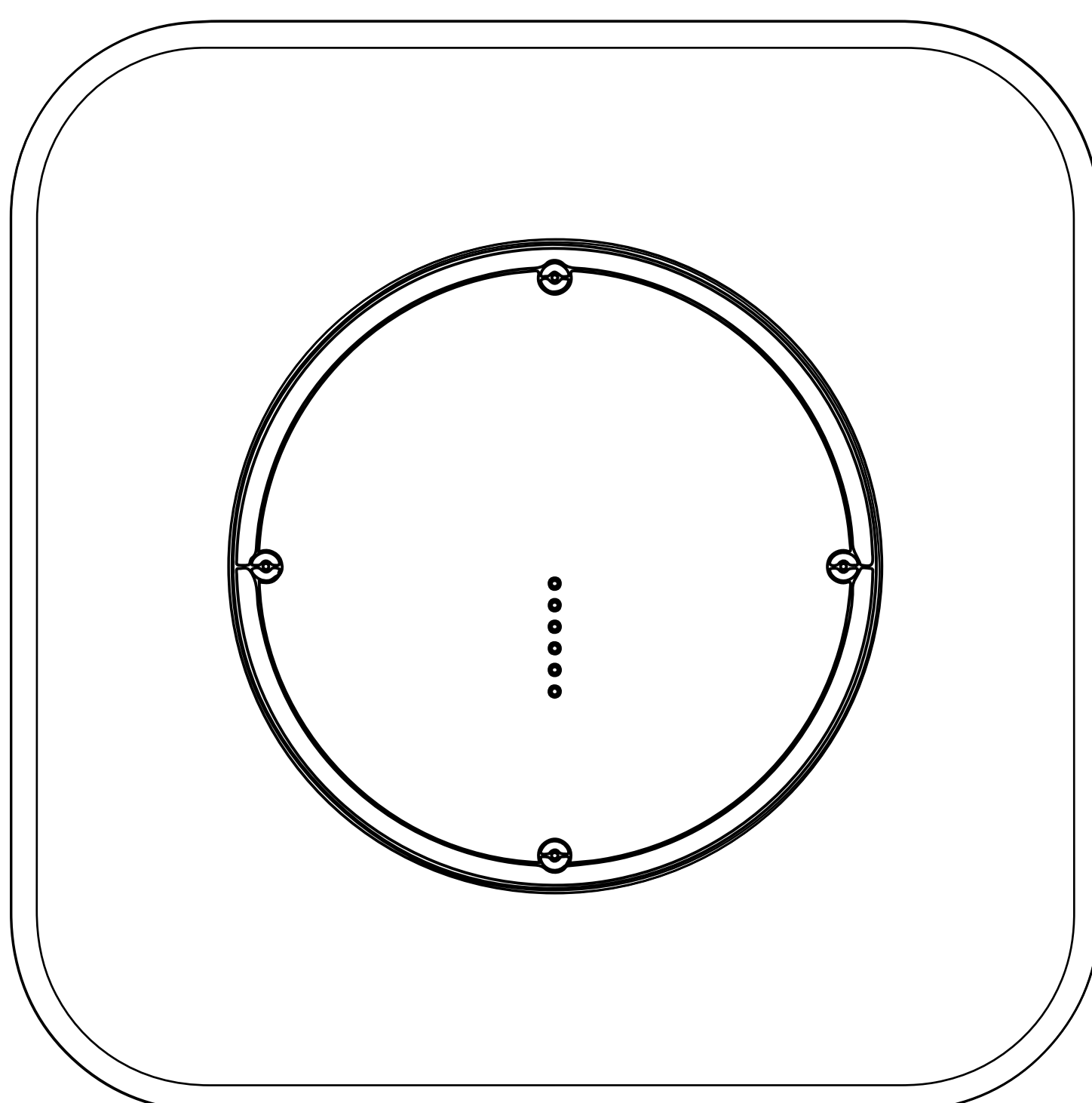
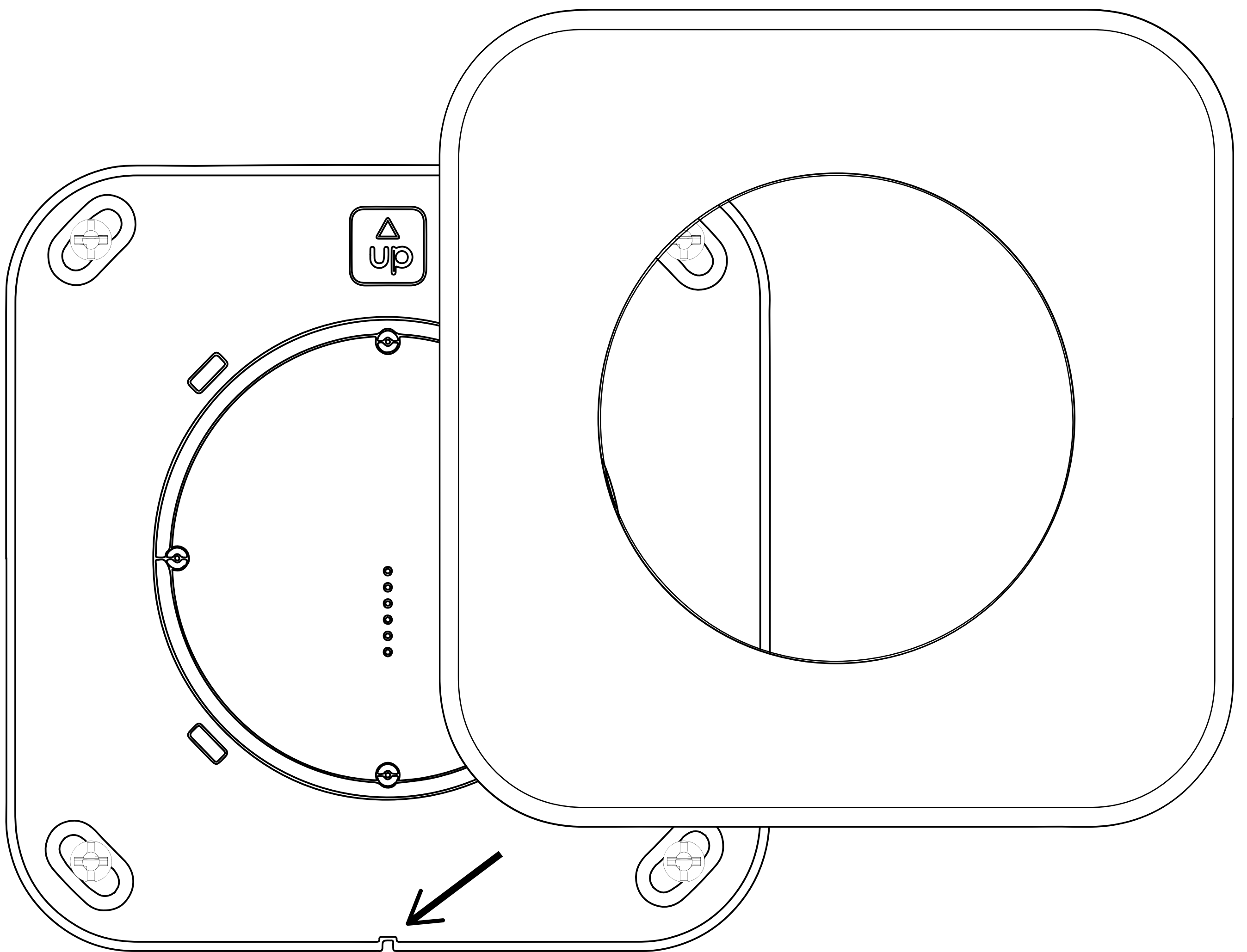
- 4. Insert the CONNECT WallStation into the wall opening from the previous LAUNCH WallStation. IMPORTANT: Make Sure to position the WallStation with the Up Arrow facing up. Use a leveling tool to level the WallStation.**



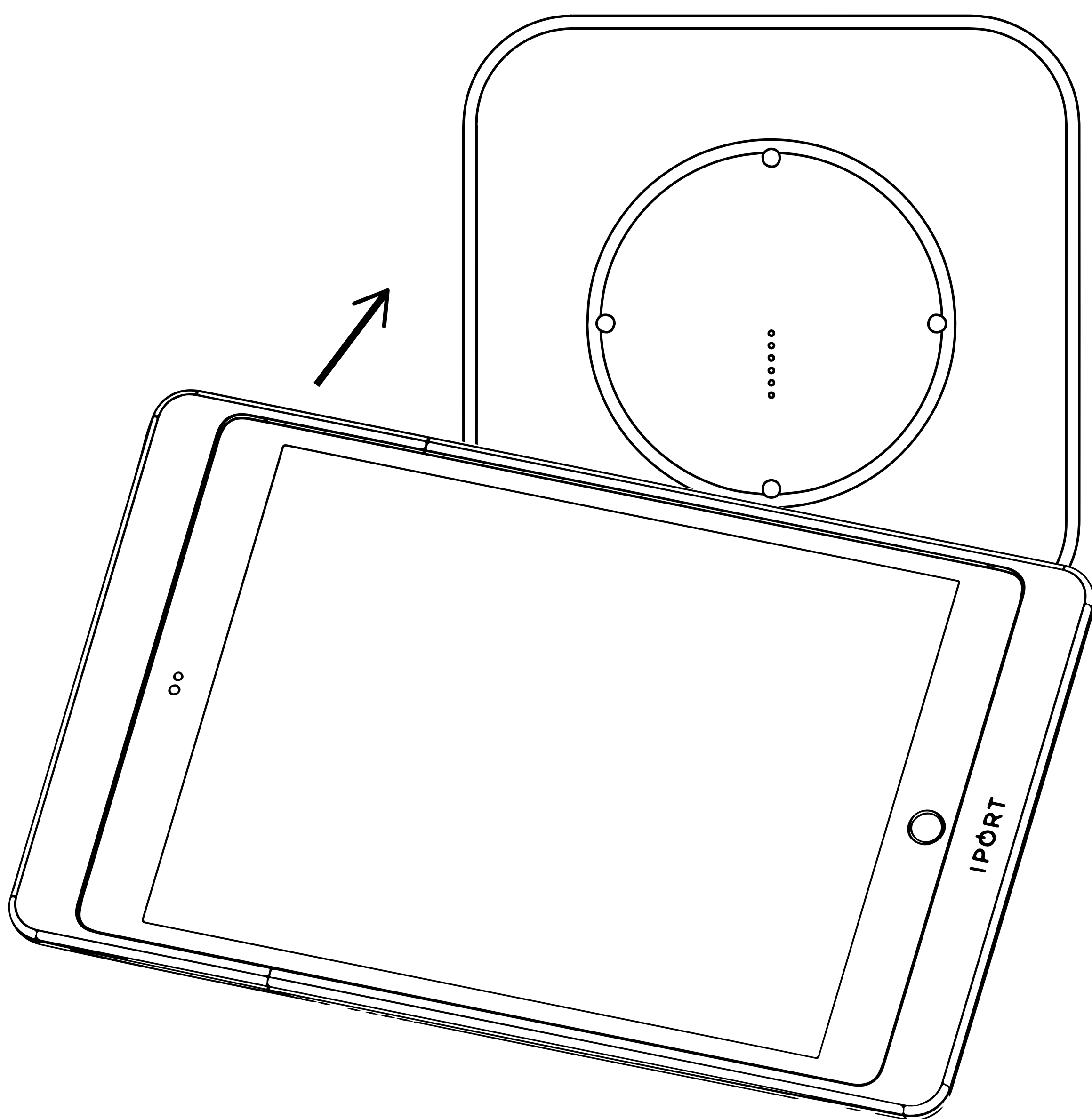
- 5. Use the old screws or provided screws to attach the WallStation to the preinstalled anchors**



- 6. Attach the WallStation Cover Plate over the WallStation making sure to align the positioning notch with the tooth on the WallStation.**



- 7. Place a Case with an iPad installed onto the WallStation to determine power was installed properly and the iPad charges.**



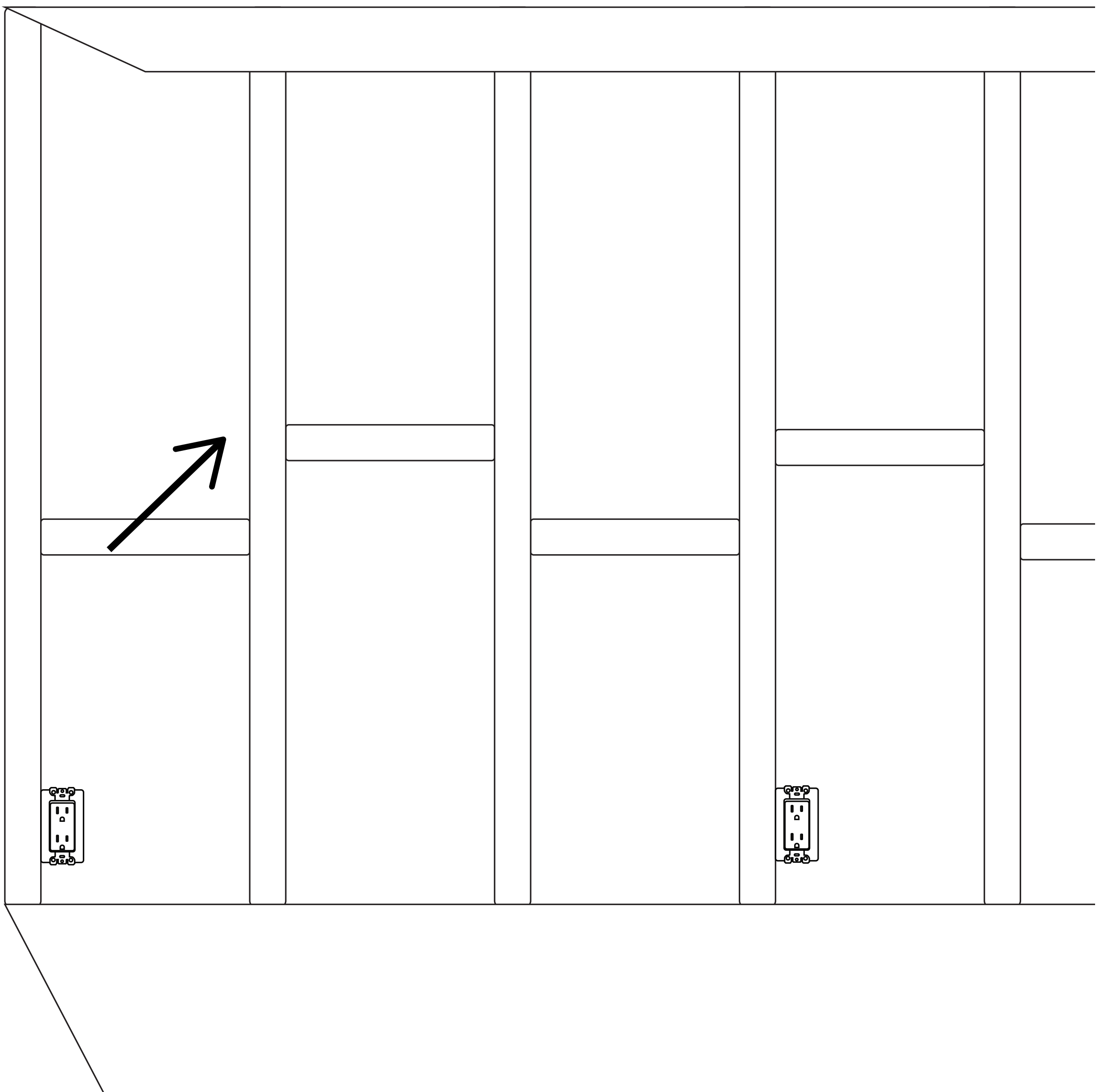
**COMPLETE**

## WALLSTATION

### I PORT CONNECT Pro WallStation Install New Construction - 2 Wire

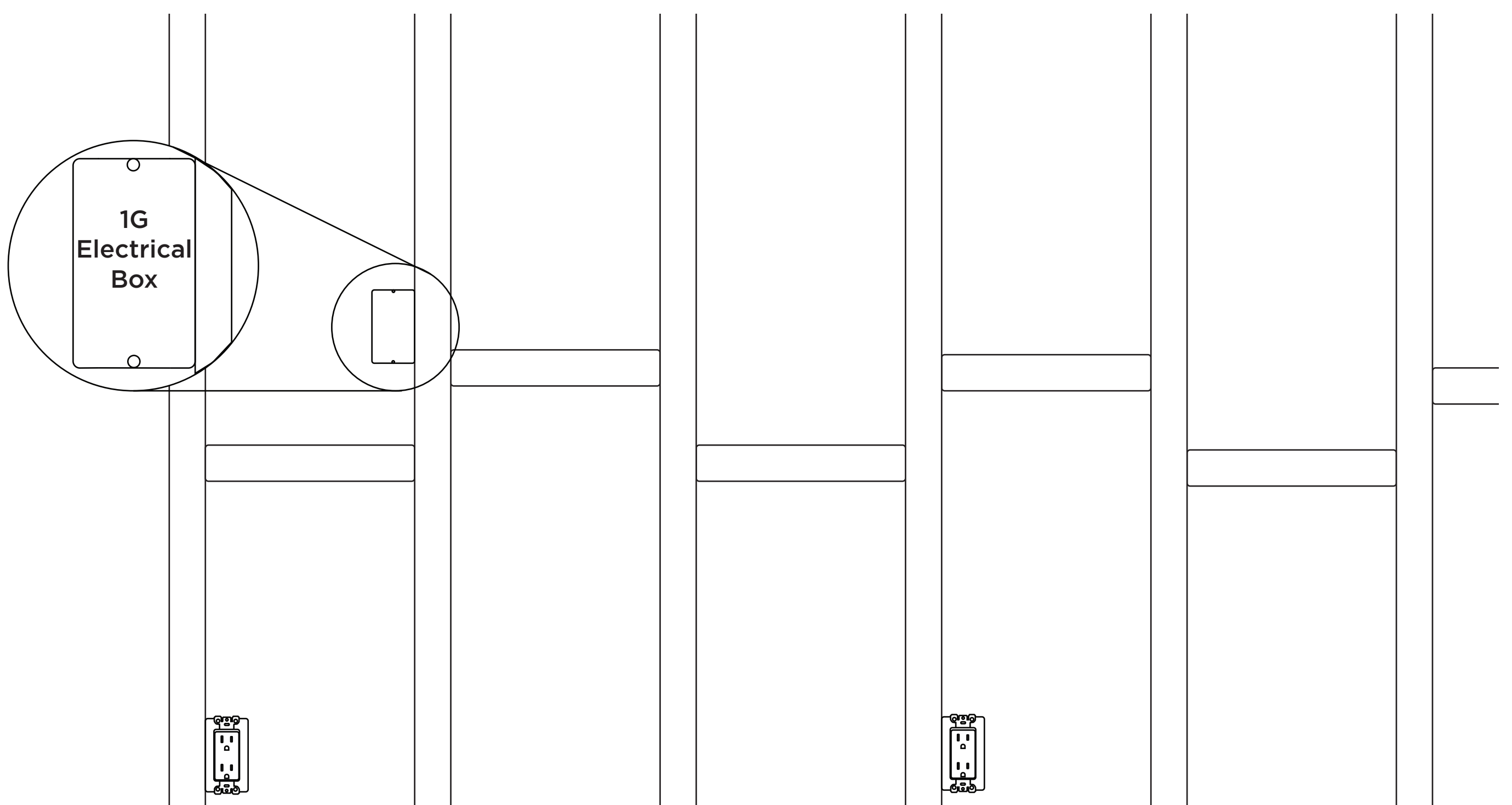
**Before Construction is complete**

- 1. Determine the desired location of the I PORT Connect Pro WallStation will live when the construction is completed.**

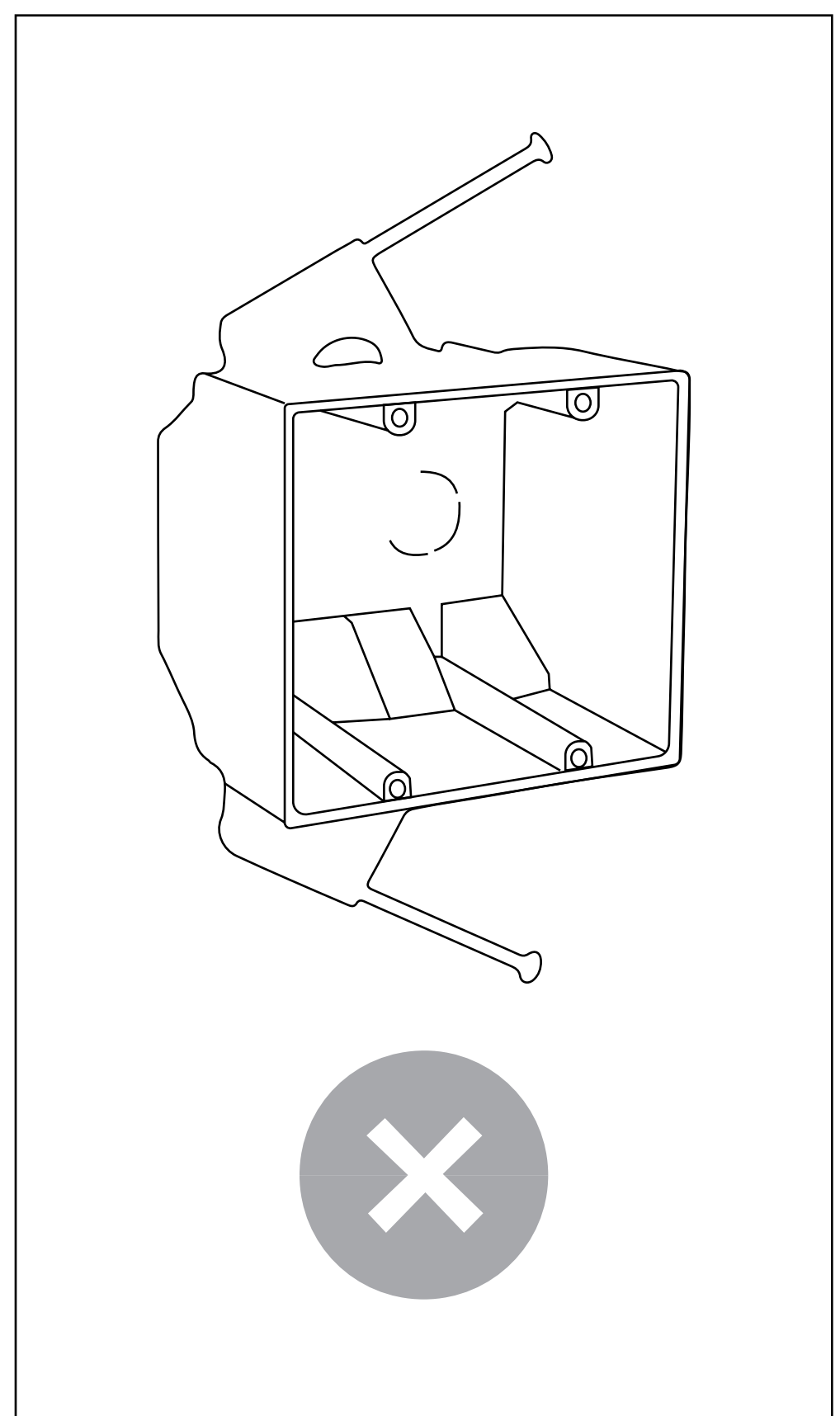
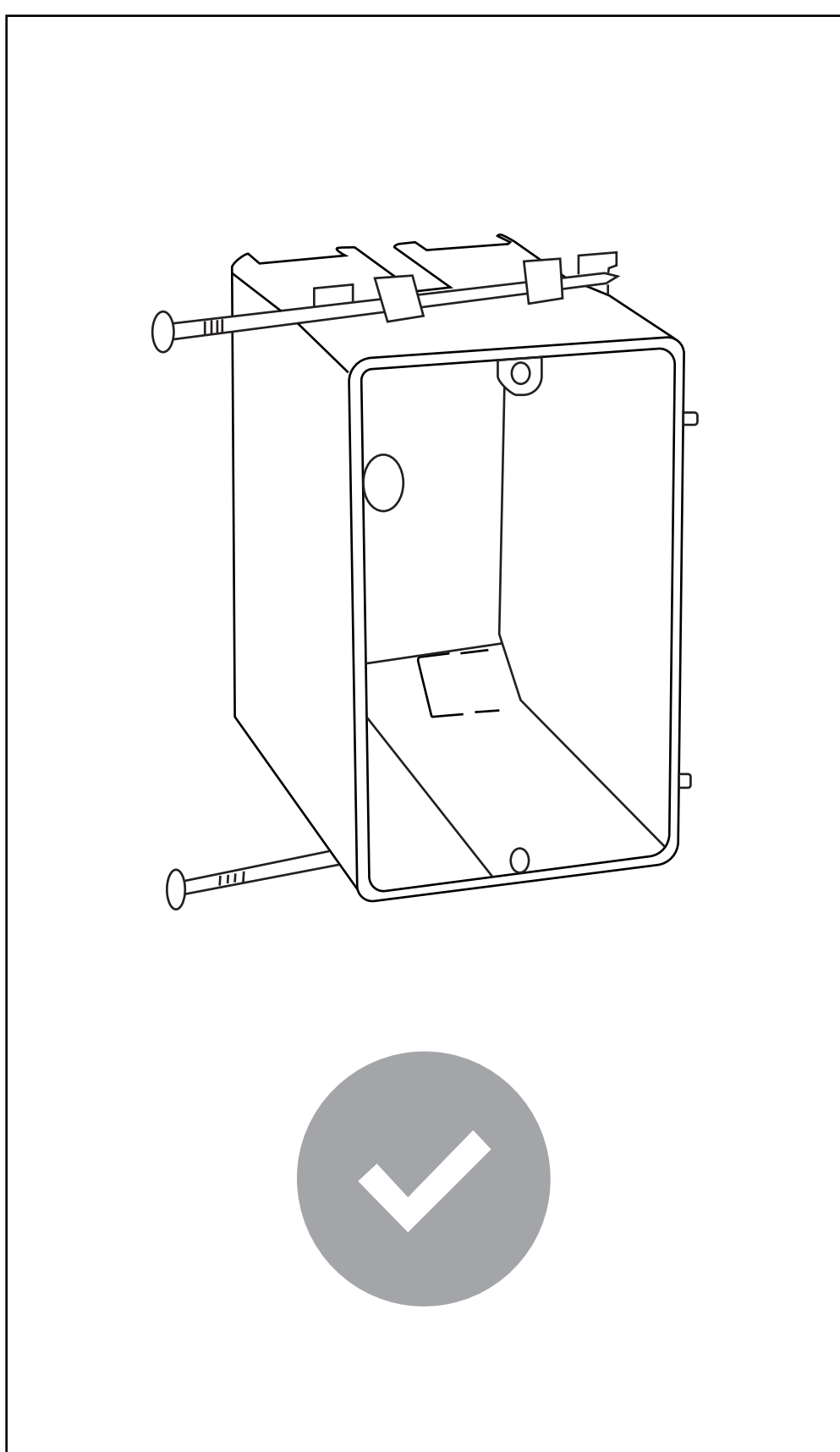


## WALLSTATION New Construction - 2 Wire

2. Install a 1 Gang electrical box or low voltage ring in the desired location of the WallStation.



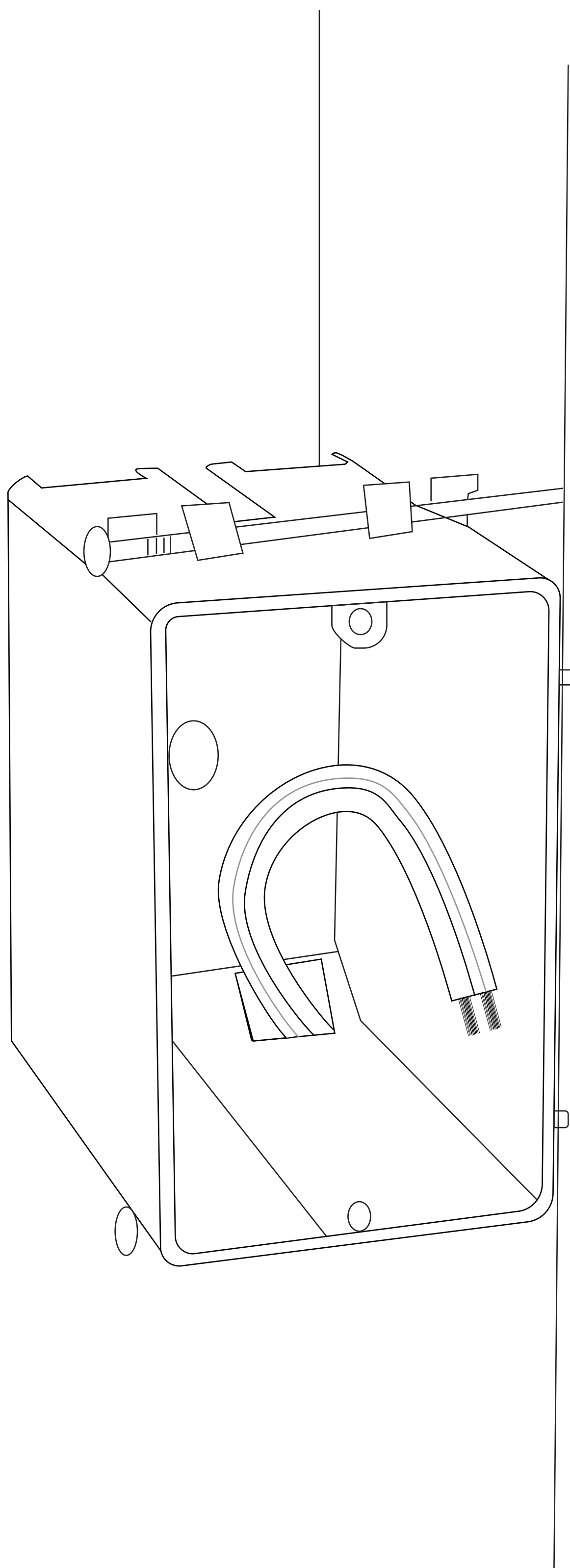
**NOTE: The CONNECT PRO WallStation will cover a 1G electrical box only. A 2 Gang electrical box will interfere with the mounting hardware.**



## WALLSTATION **New Construction - 2 Wire**

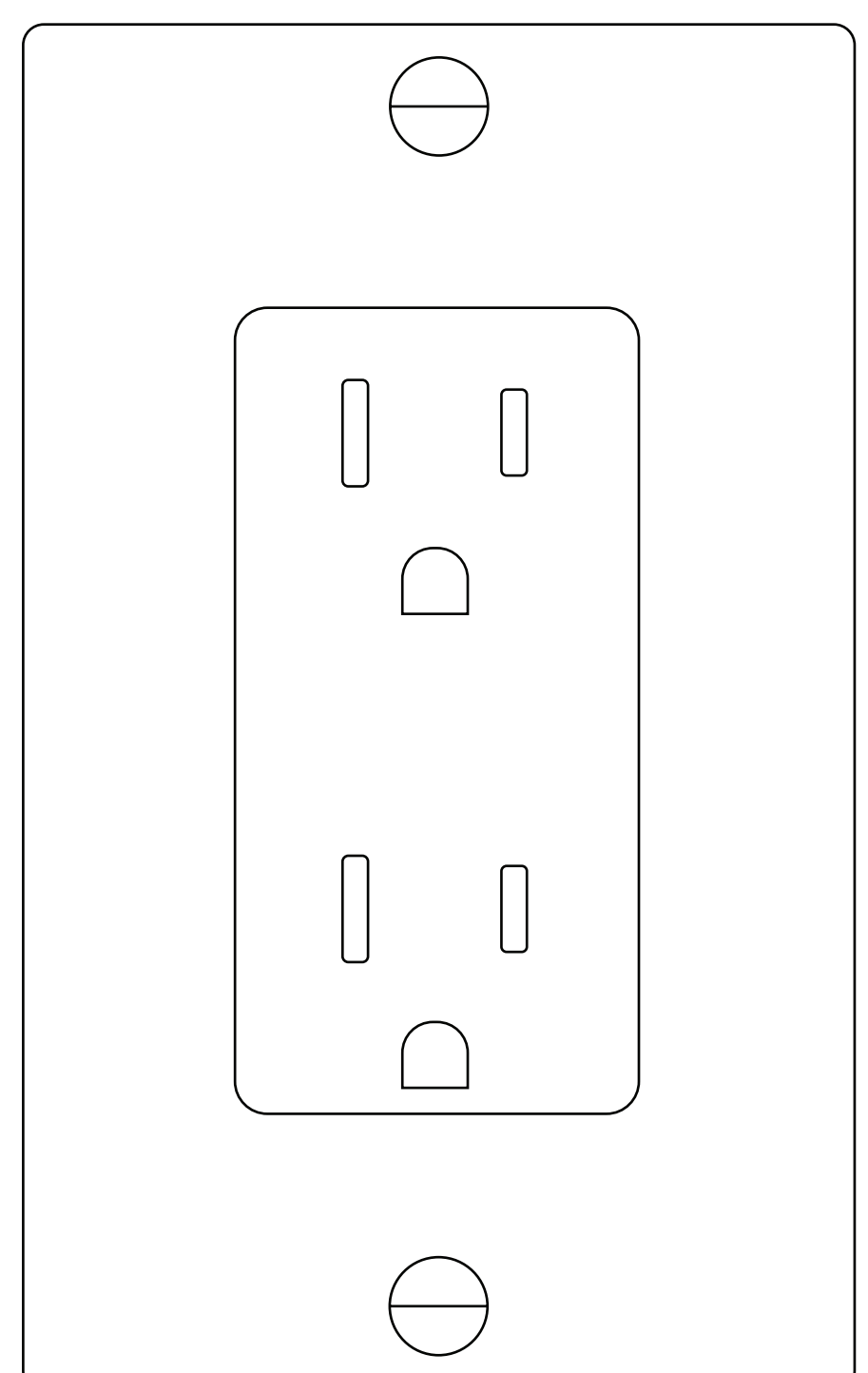
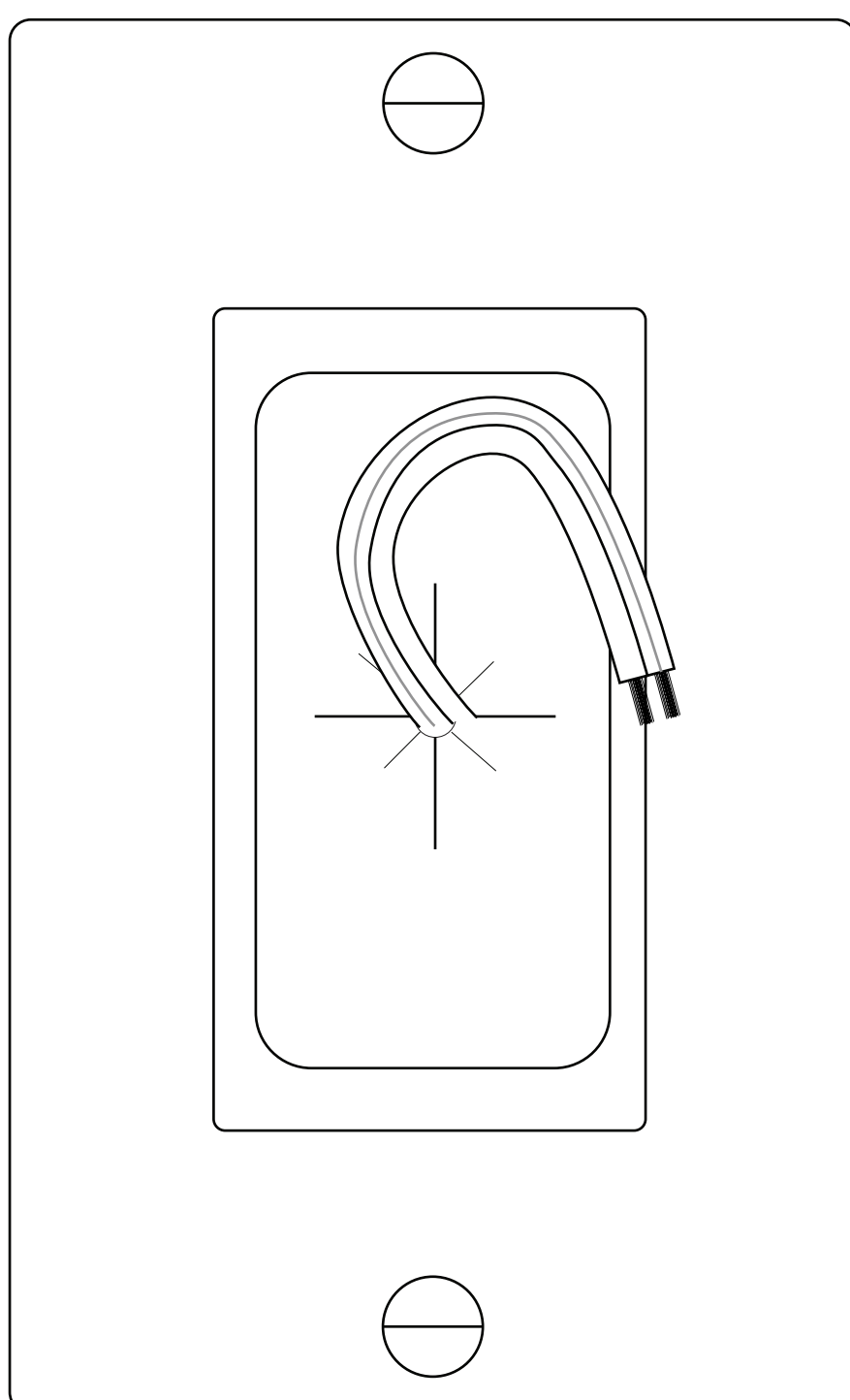
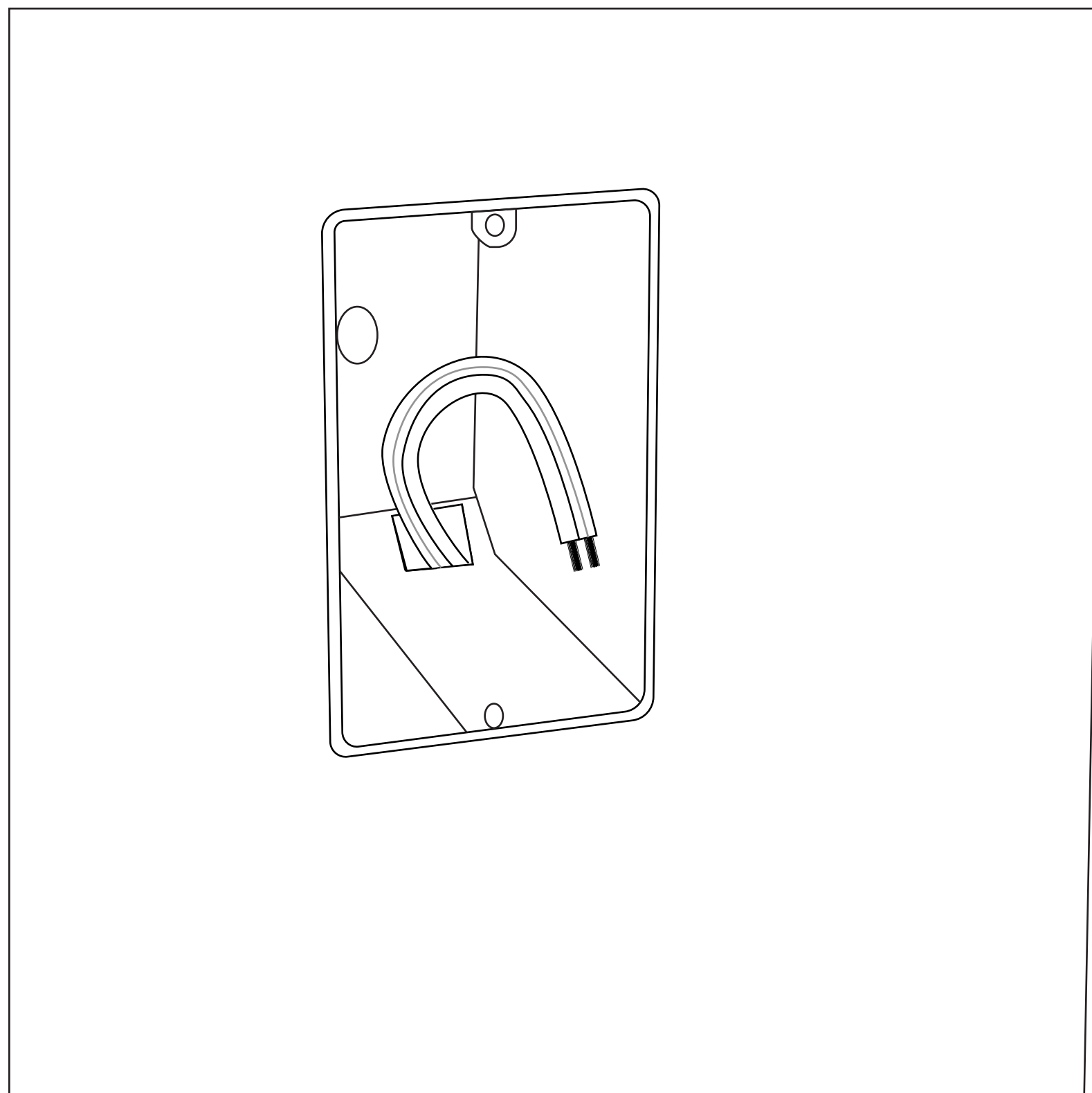
- 4. Run a 14AWG 2 wire cable from the WallStation location to a nearby AC outlet, closet, or network rack location.**

**NOTE: Make sure to secure the 2 Wire cable appropriately onto the Electrical box or Low Voltage ring to retrieve at a later time.**



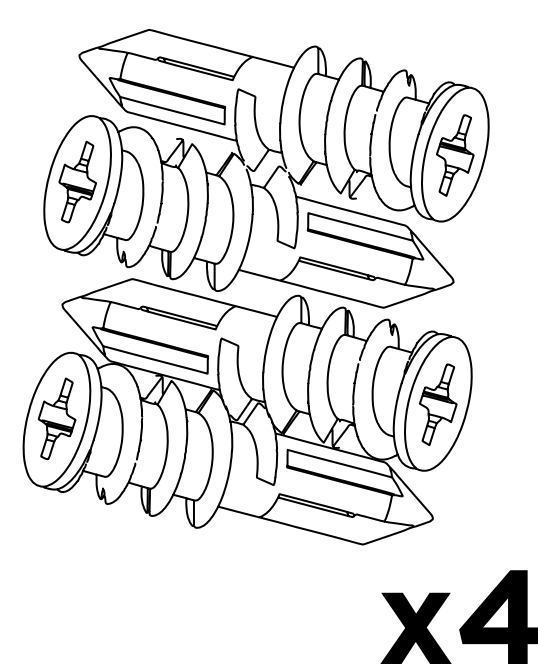
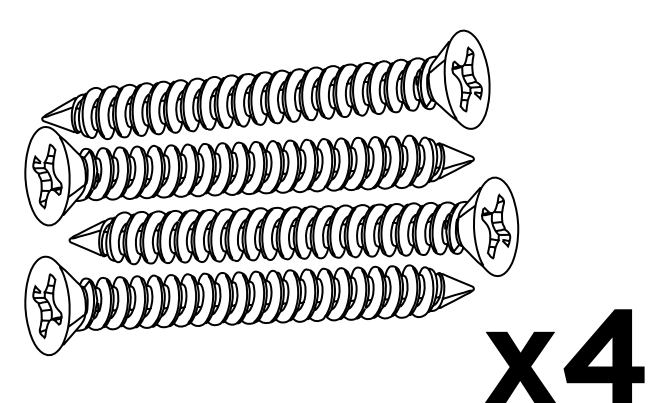
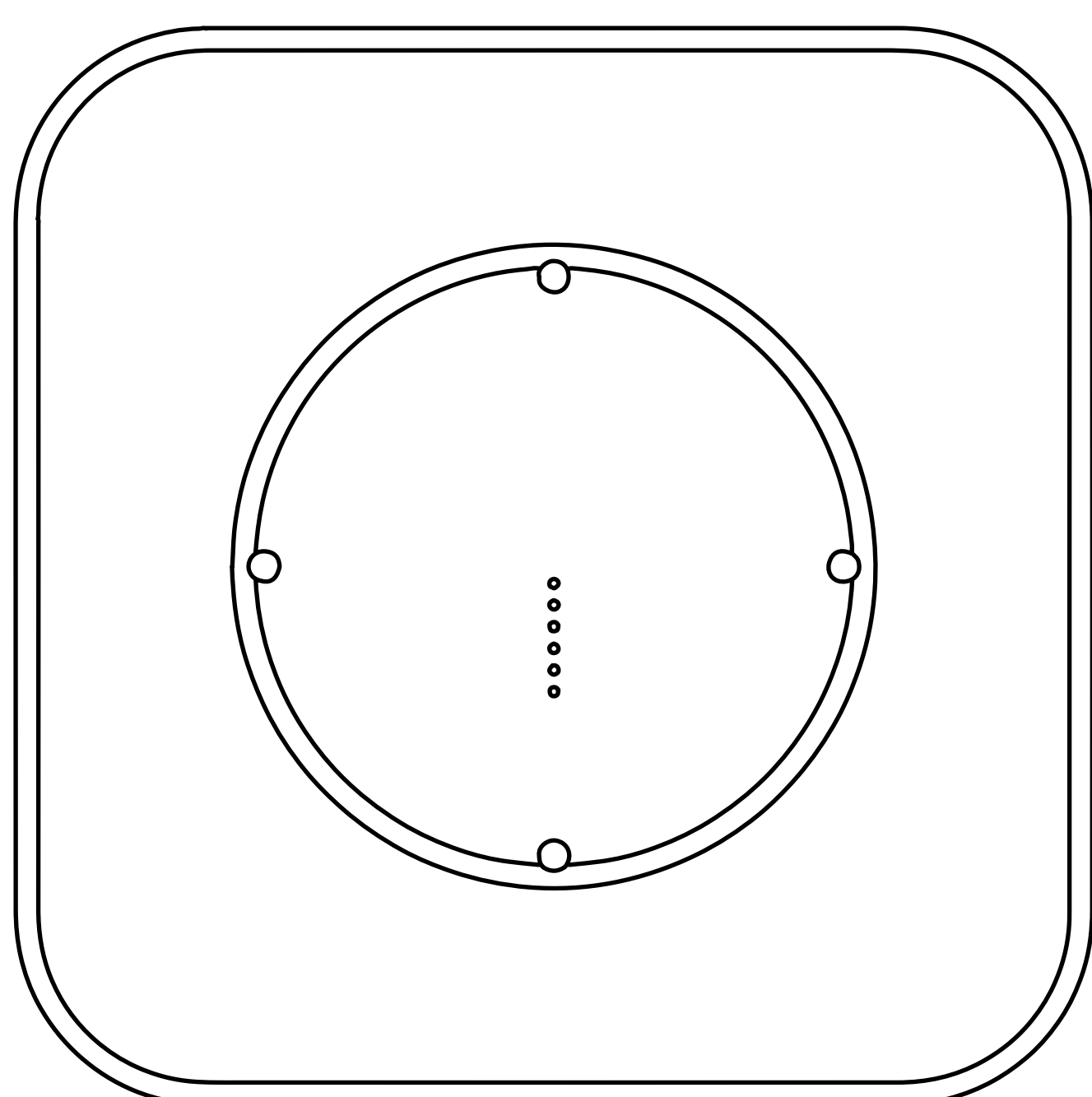
### Installing the WallStation After Construction

- 1. Loctite the 1 gang boxed saved for the wallstation and loctite the end of the 2 wire for power.**



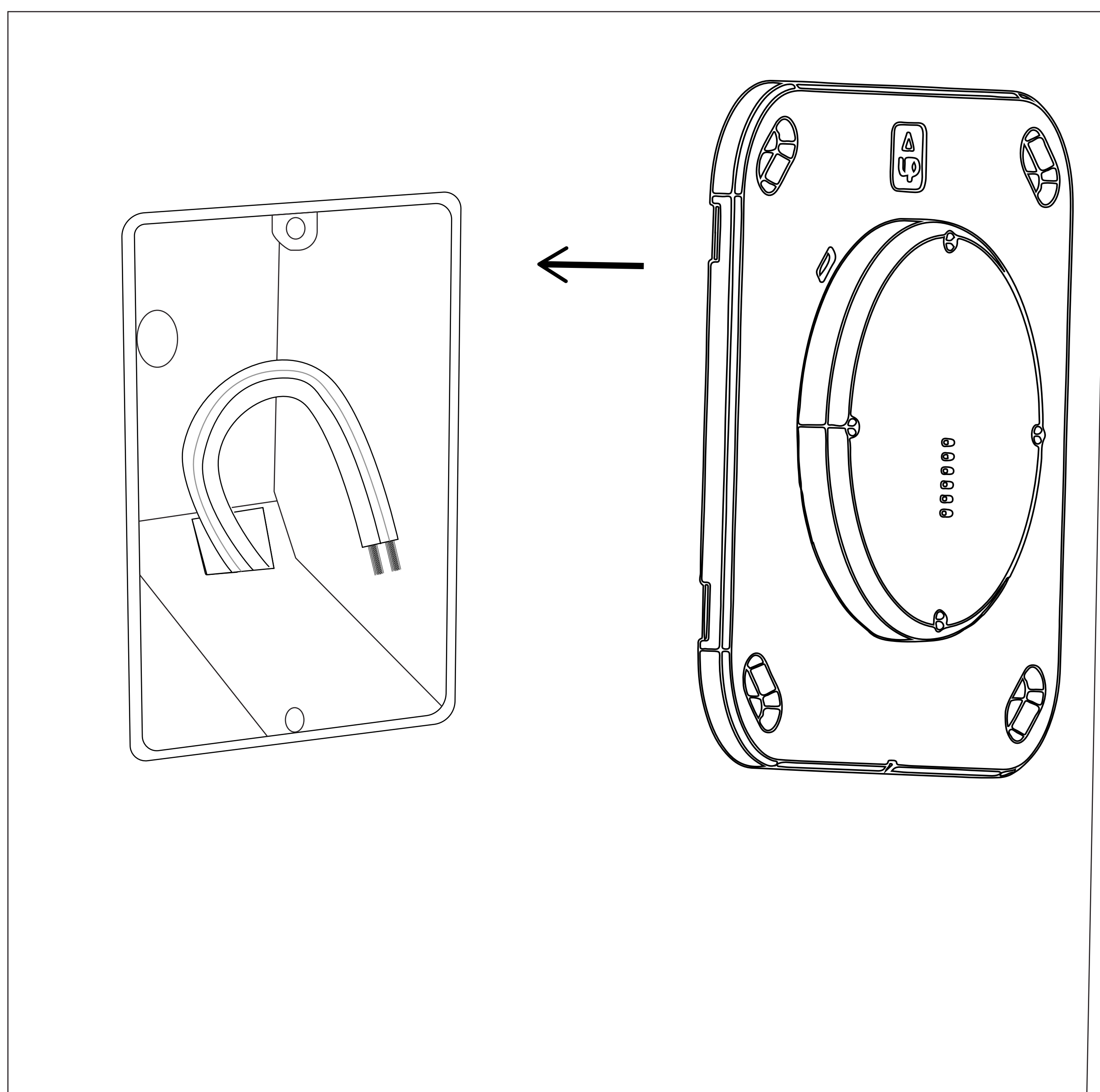
**Grommit not included**

- 2. Remove the WallStation, Drywall anchors and Screws from the box and place on a table.**

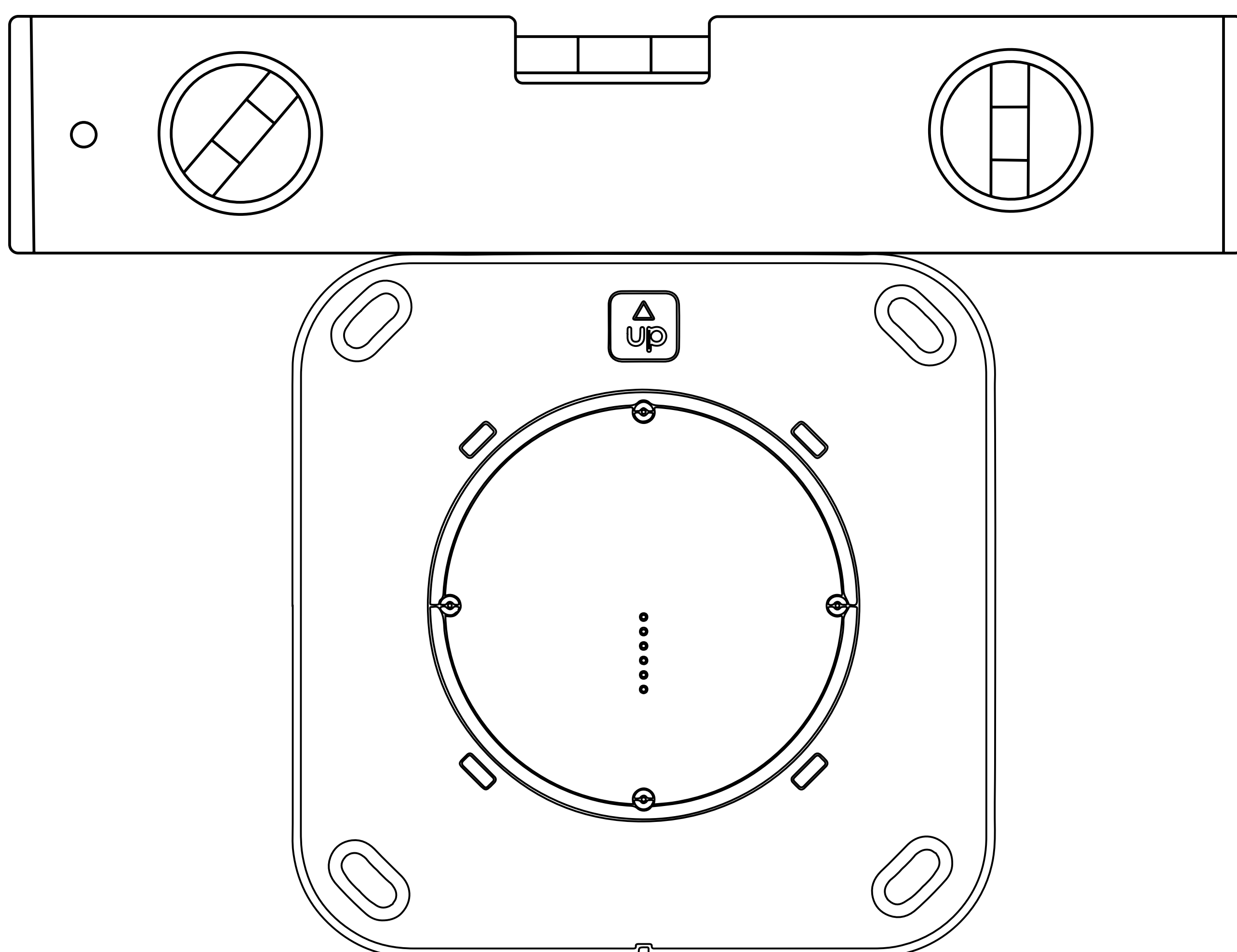


### 4. Insert the WallStation into the 1G box.

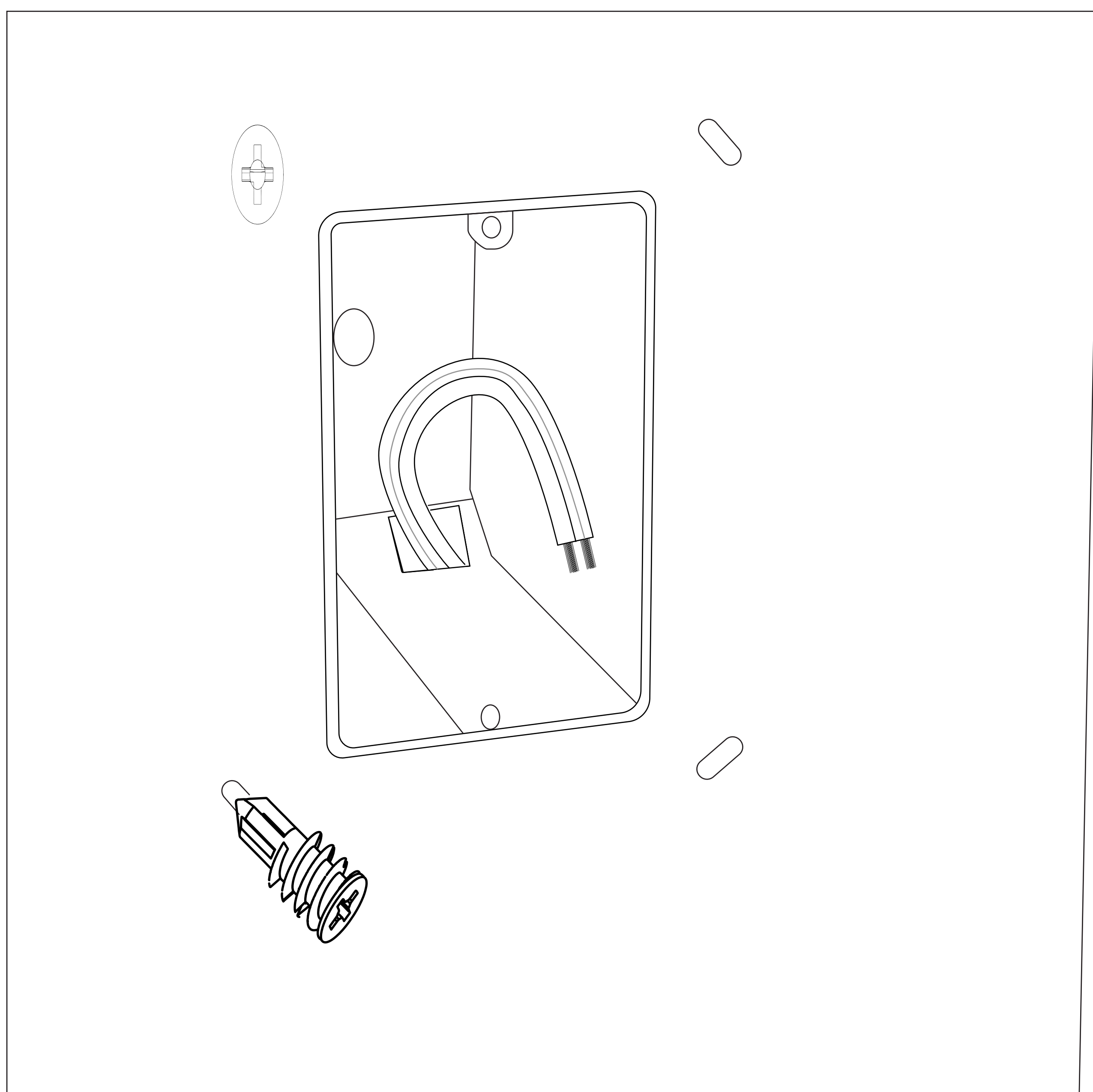
**NOTE:** the 1G box or Low voltage ring was used to save the space of the WallStation. The WallStation was designed to be use without the need for a junction box. If possible remove the junction box or Low voltage ring.



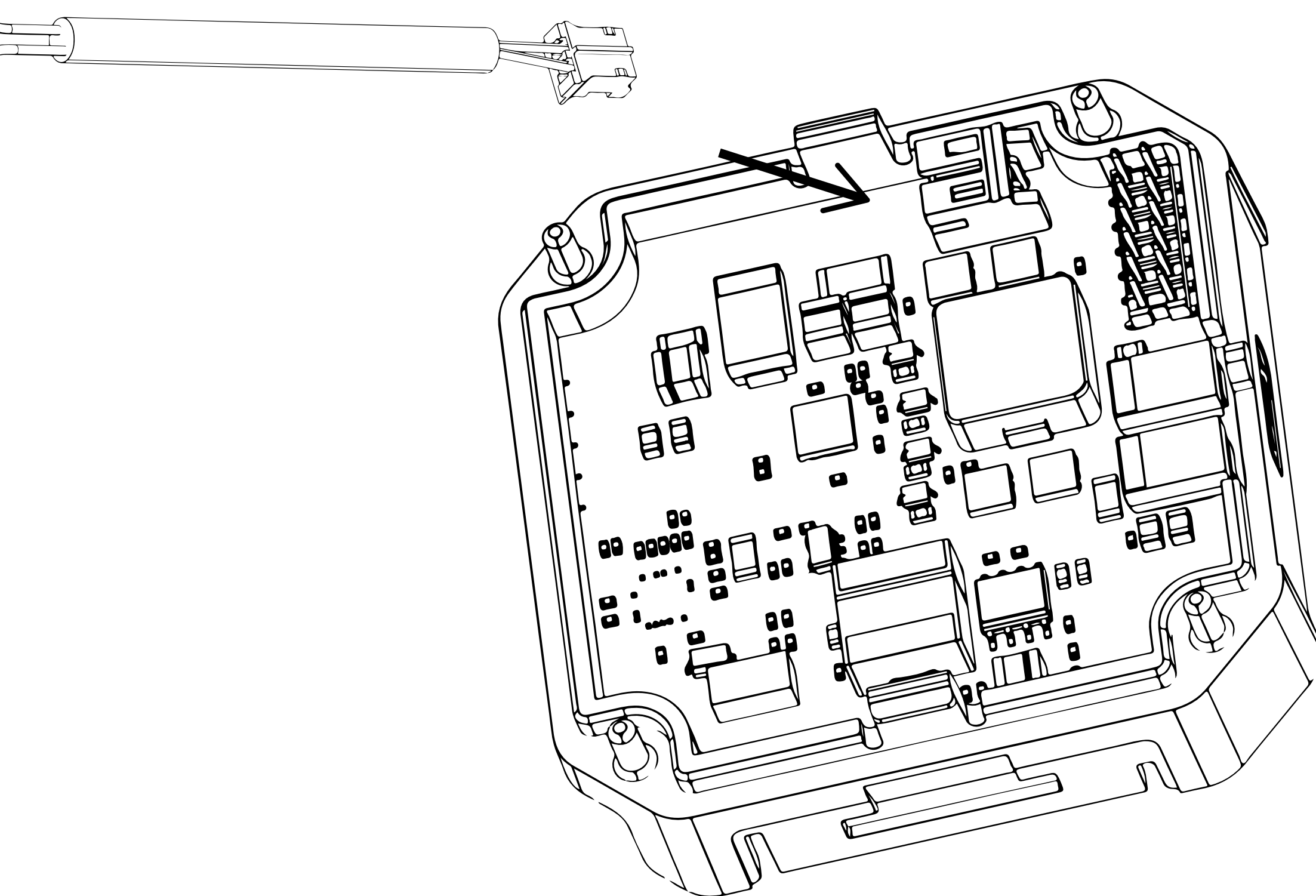
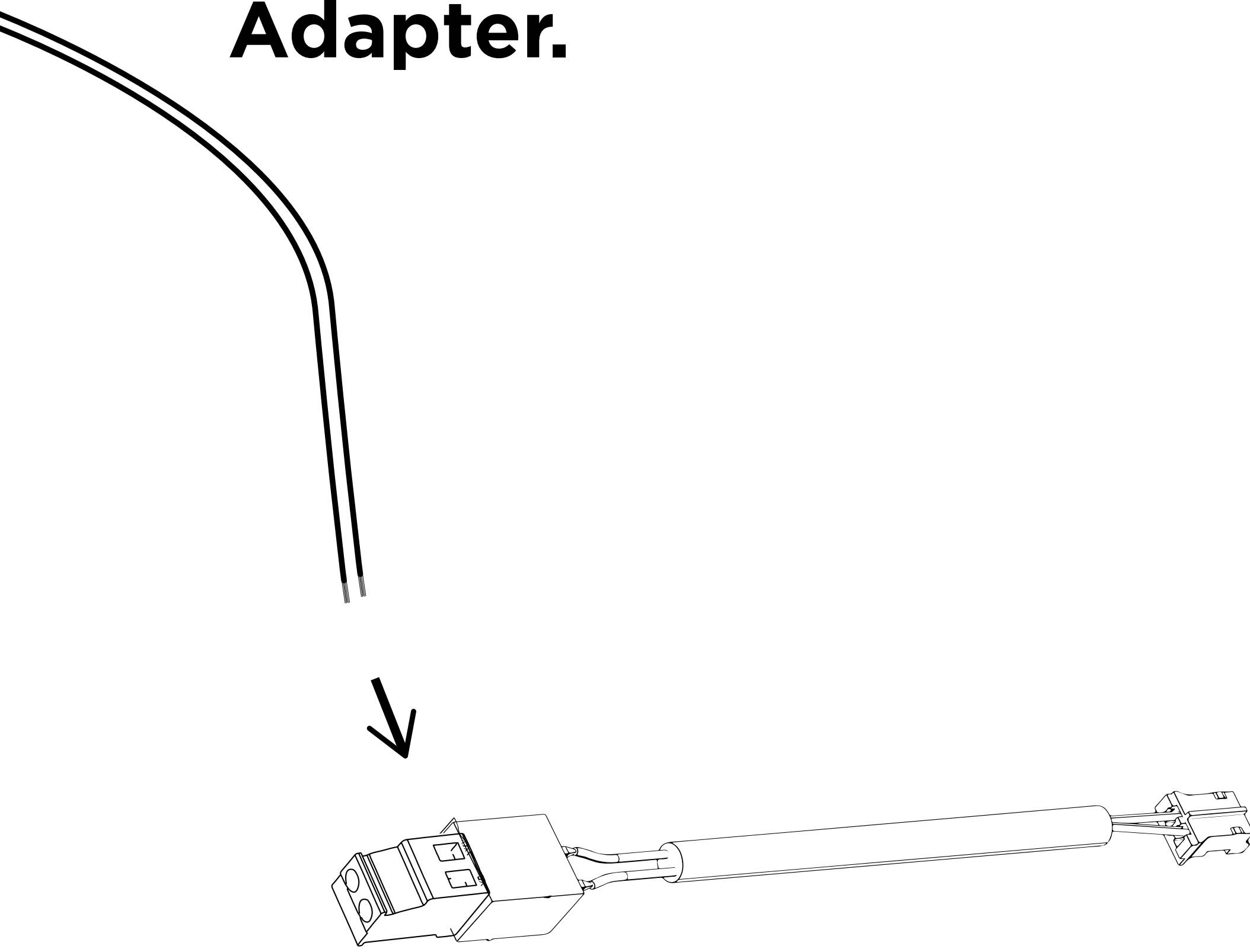
- 5. Use a leveling tool to level the WallStation and mark the 4 locations for the provided Anchors. Remove the WallStation from the 1G Box.**



- 6. Remove the Wall Station and screw the provided anchors into the wall where marked.**



- 7. Connect the Phoenix to TE cable provided to the 14-2 wire and onto the White TE Connector on the WallStation DC Adapter.**

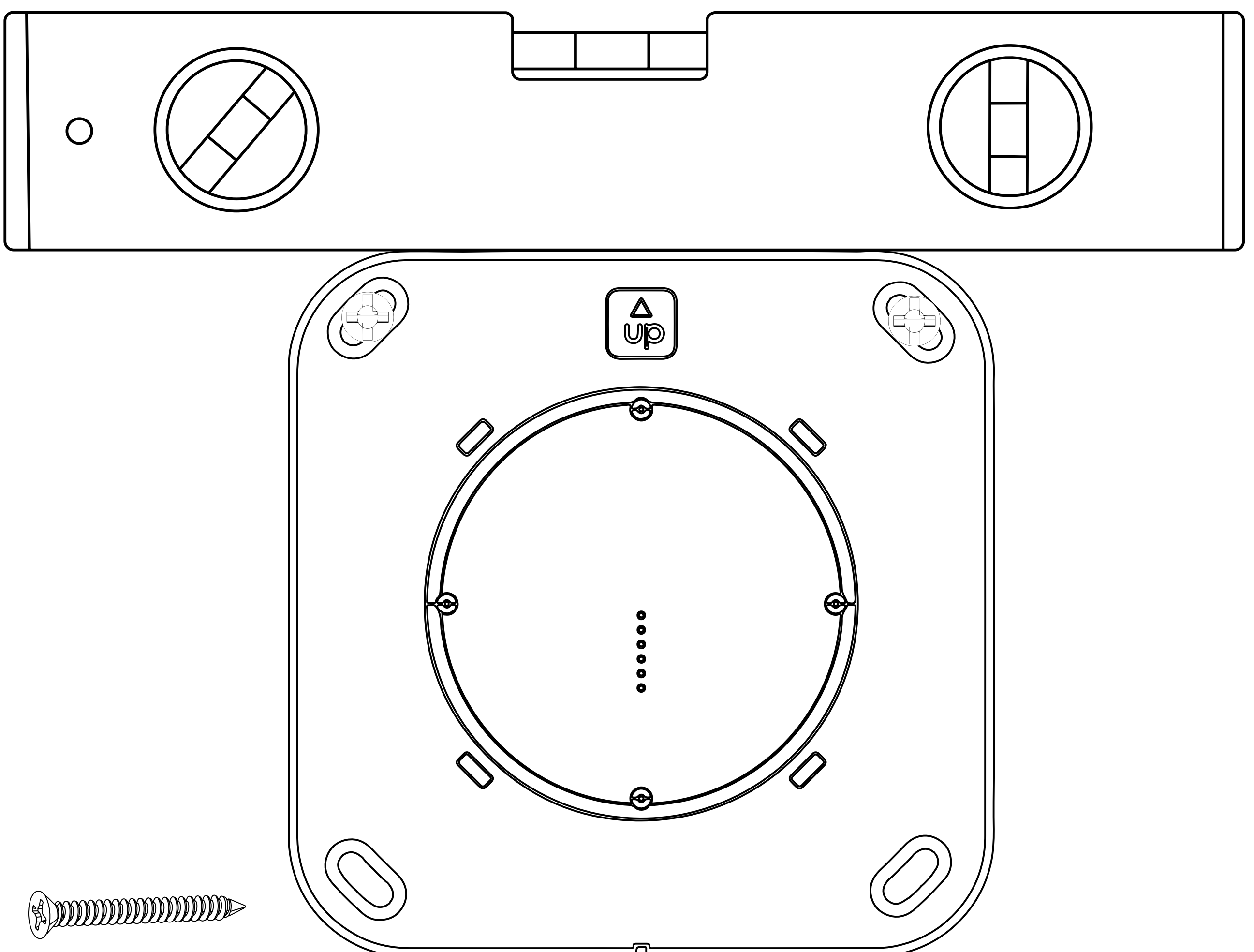


**Zip tie the Connector to the DC board for added cable retention.**

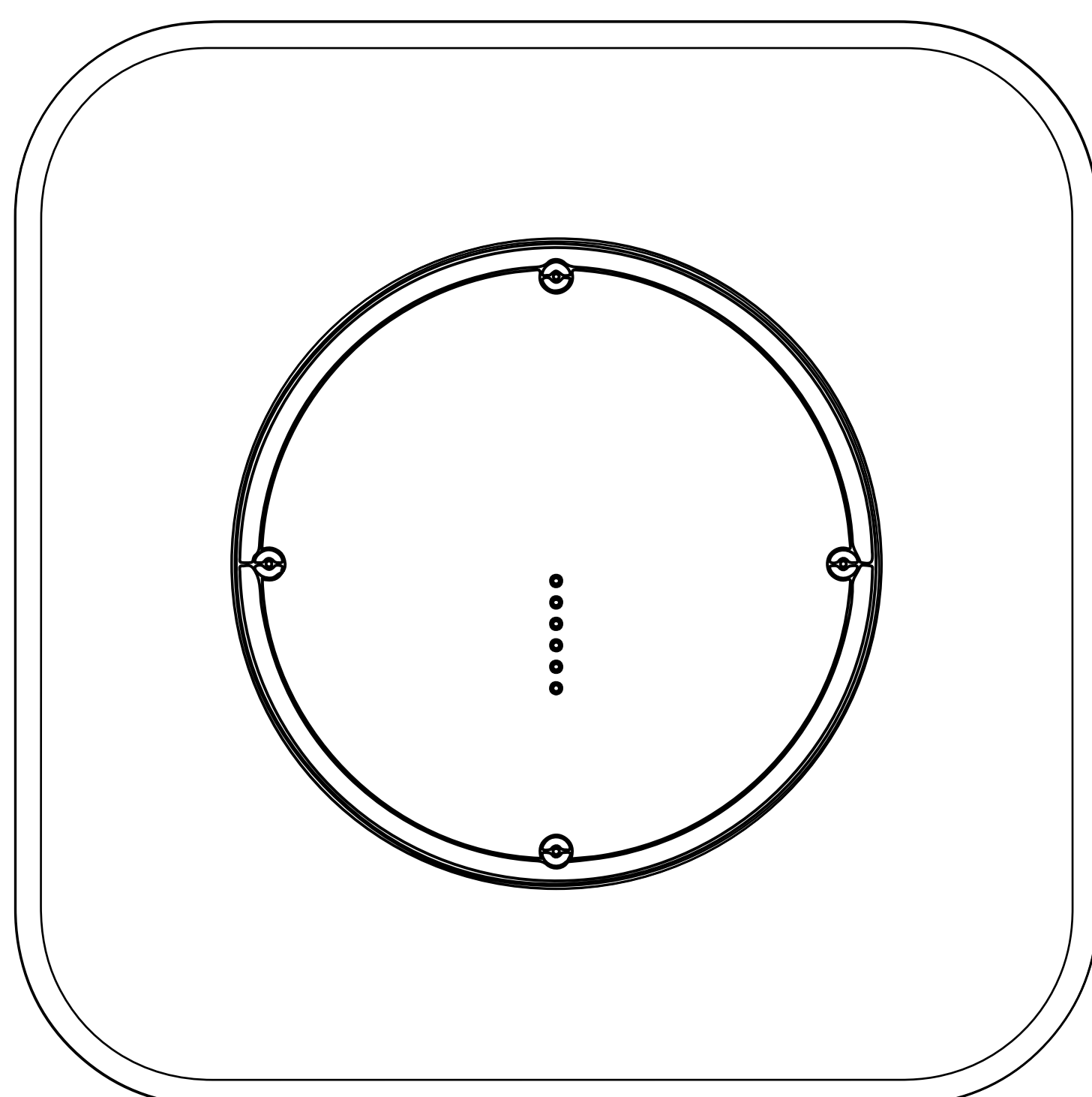
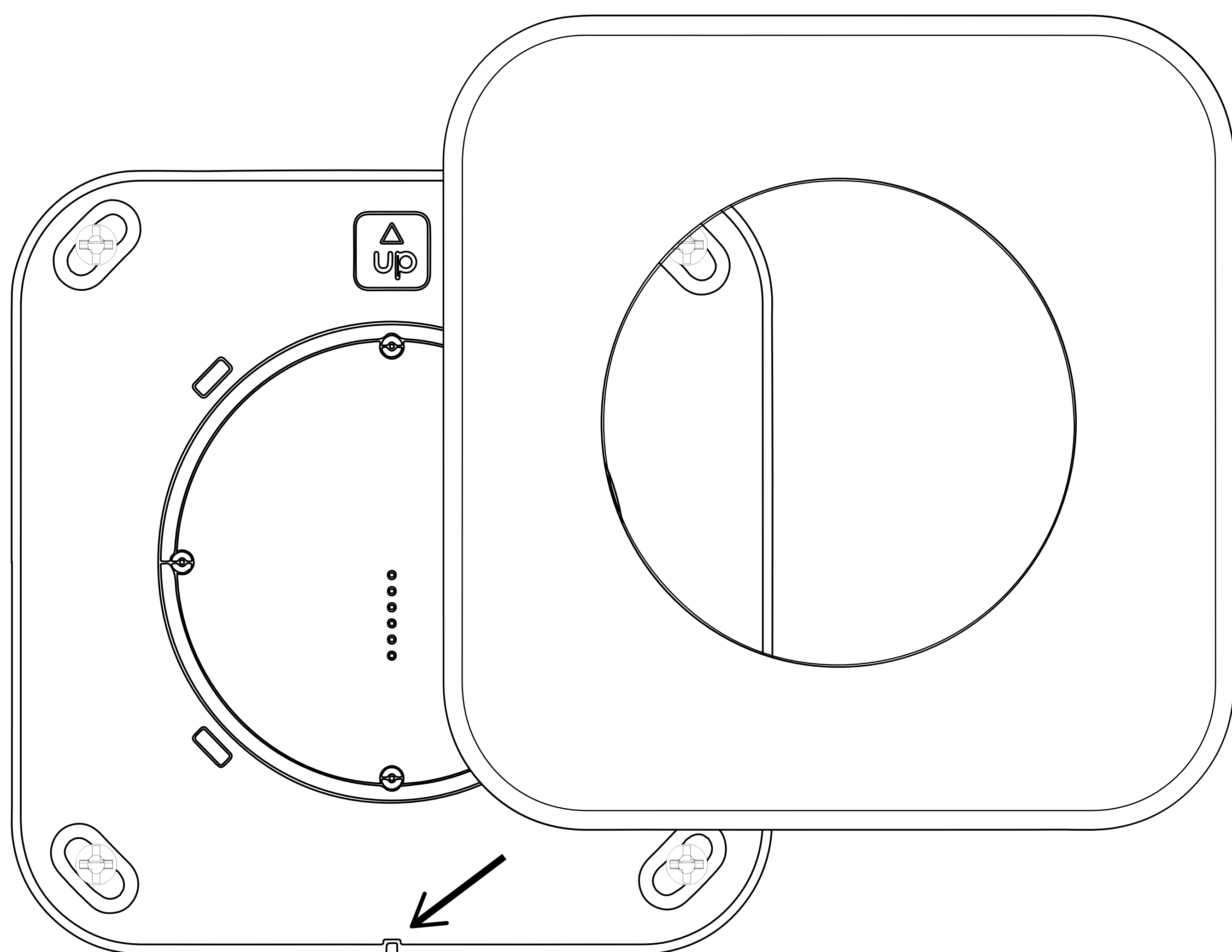
## WALLSTATION **New Construction - 2 Wire**

8. **Insert the WallStation back into the 1G box and use the provided screws to attach the WallStation to the wall.**

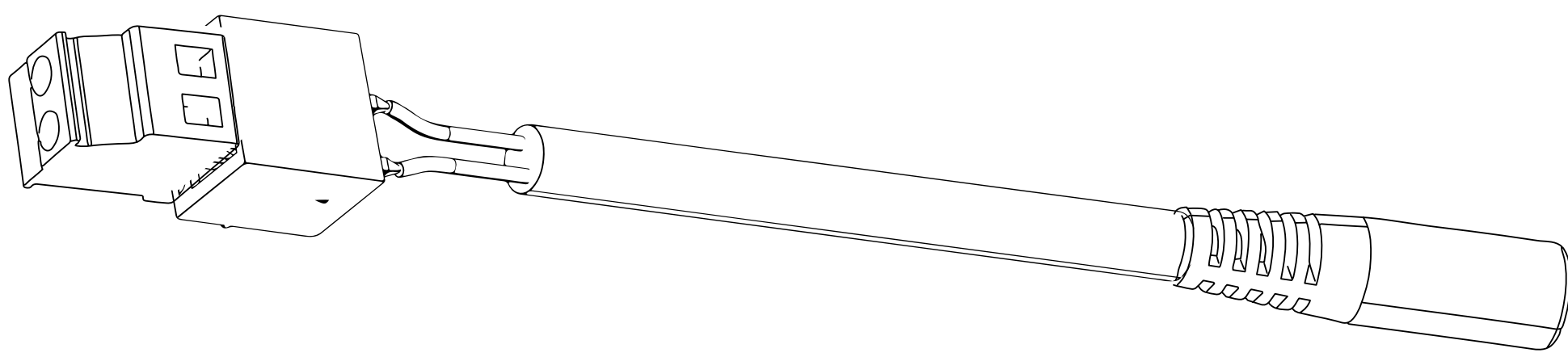
**IMPORTANT: Make Sure to position the WallStation with the Up Arrow facing up. Use a leveling tool to level the WallStation and hand tighten the screws.**



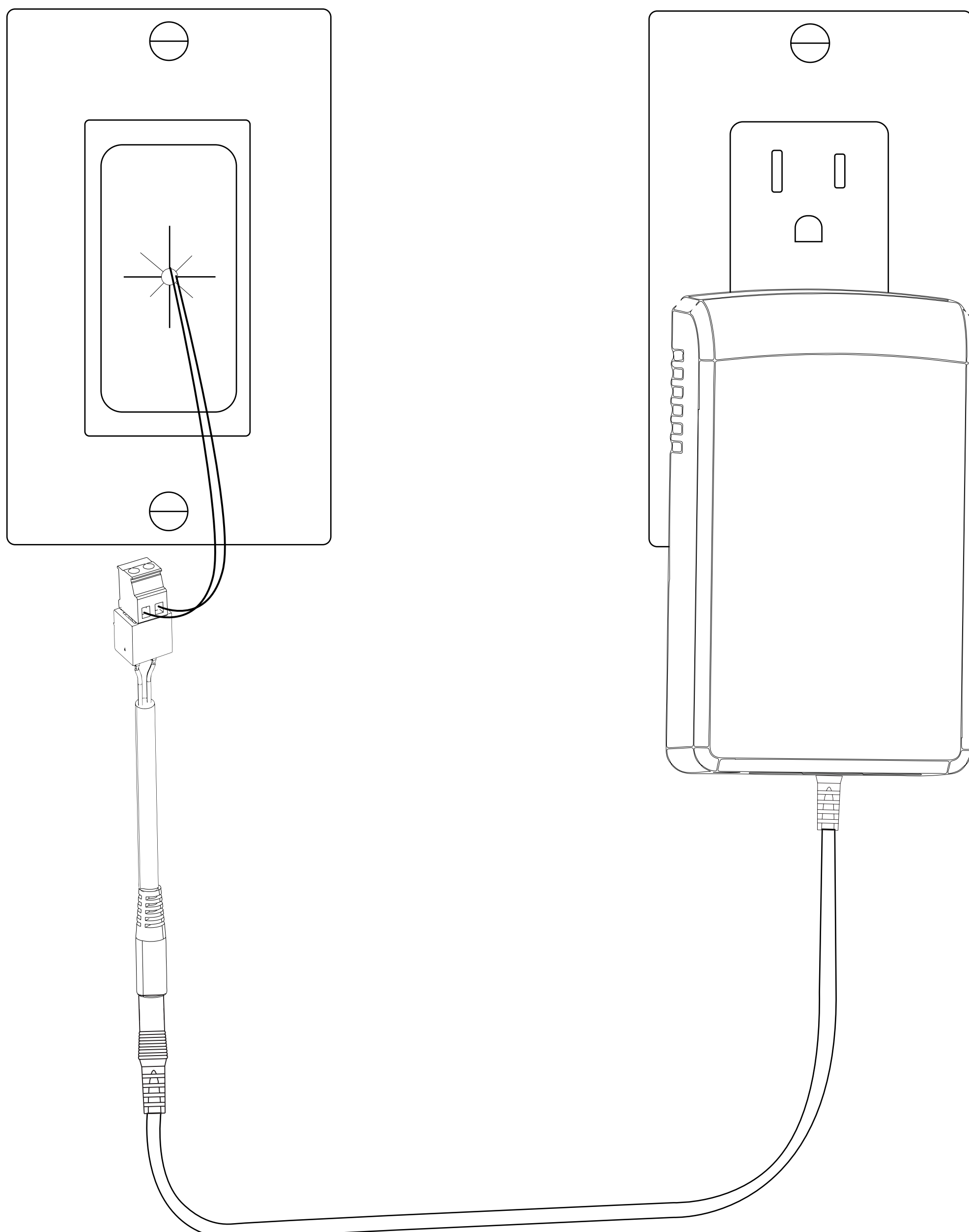
- 8. Attach the WallStation Cover Plate over the WallStation making sure to align the positioning notch with the tooth on the WallStation.**



- 9. Connect the 2 wire to DC Connector at the other end of the 2 wire Cable.**



- 10. Connect the Provided DC Power Adapter into the wall and connect the barrel connector to the other end of the Phoenix adapter.**

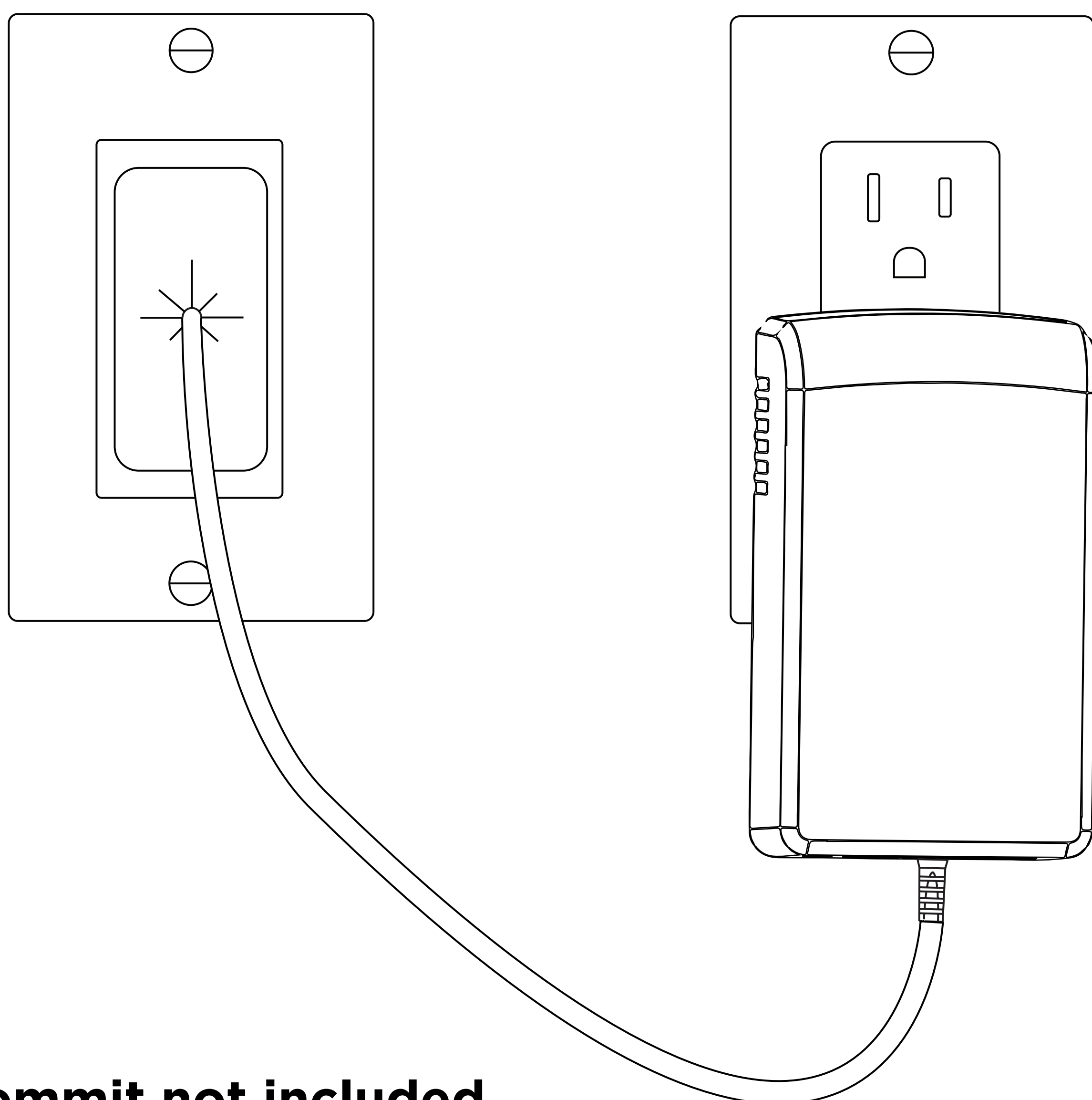


**Grommit not included**

# I PORT CONNECT PRO

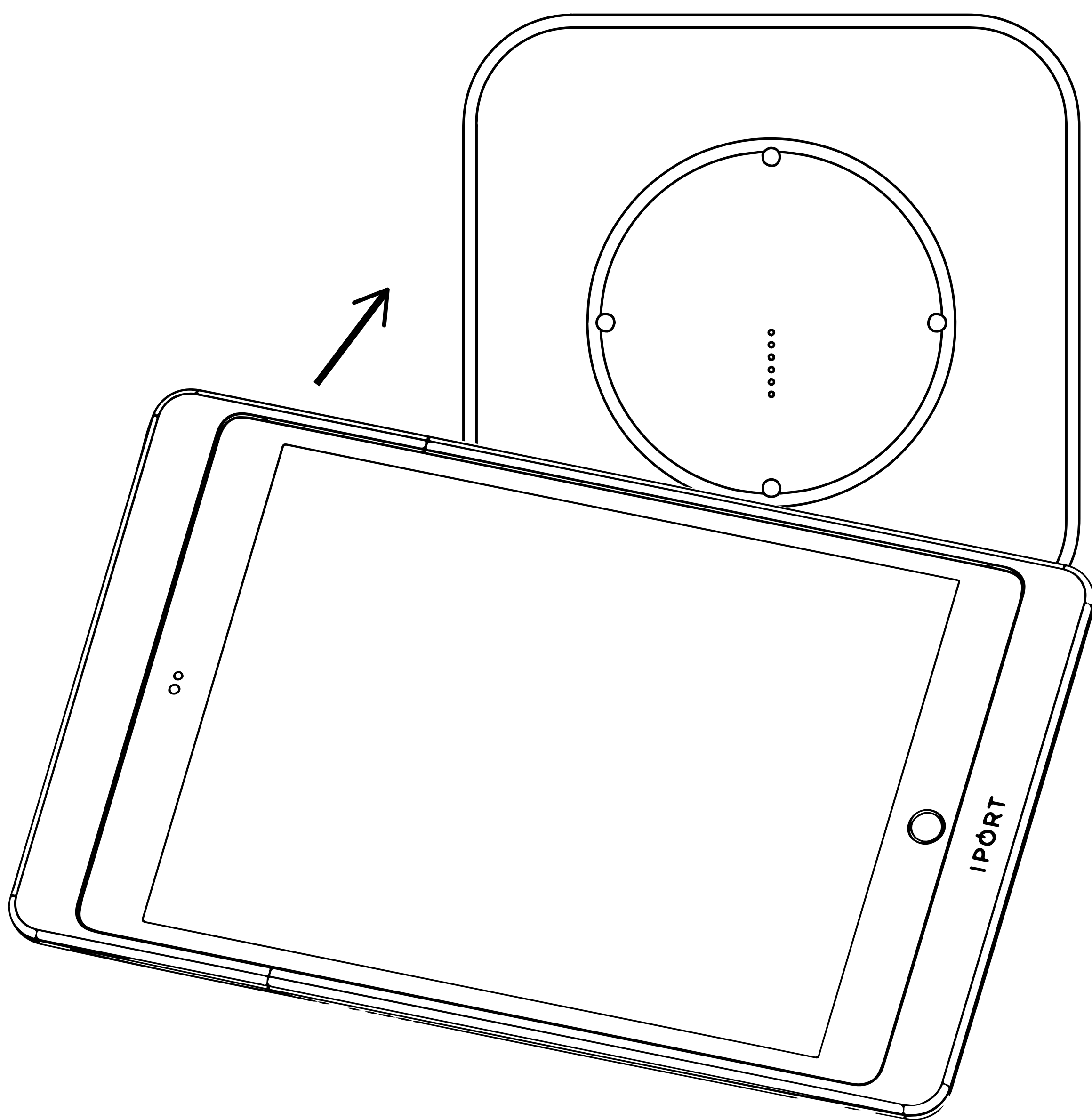
## WALLSTATION

For a clean finished look place the Connector and DC barrel plug back through the grommit into the wall.



**Grommit not included**

- 11. Place a Case with an iPad installed onto the WallStation to determine power was installed properly and the iPad charges.**



**COMPLETE**

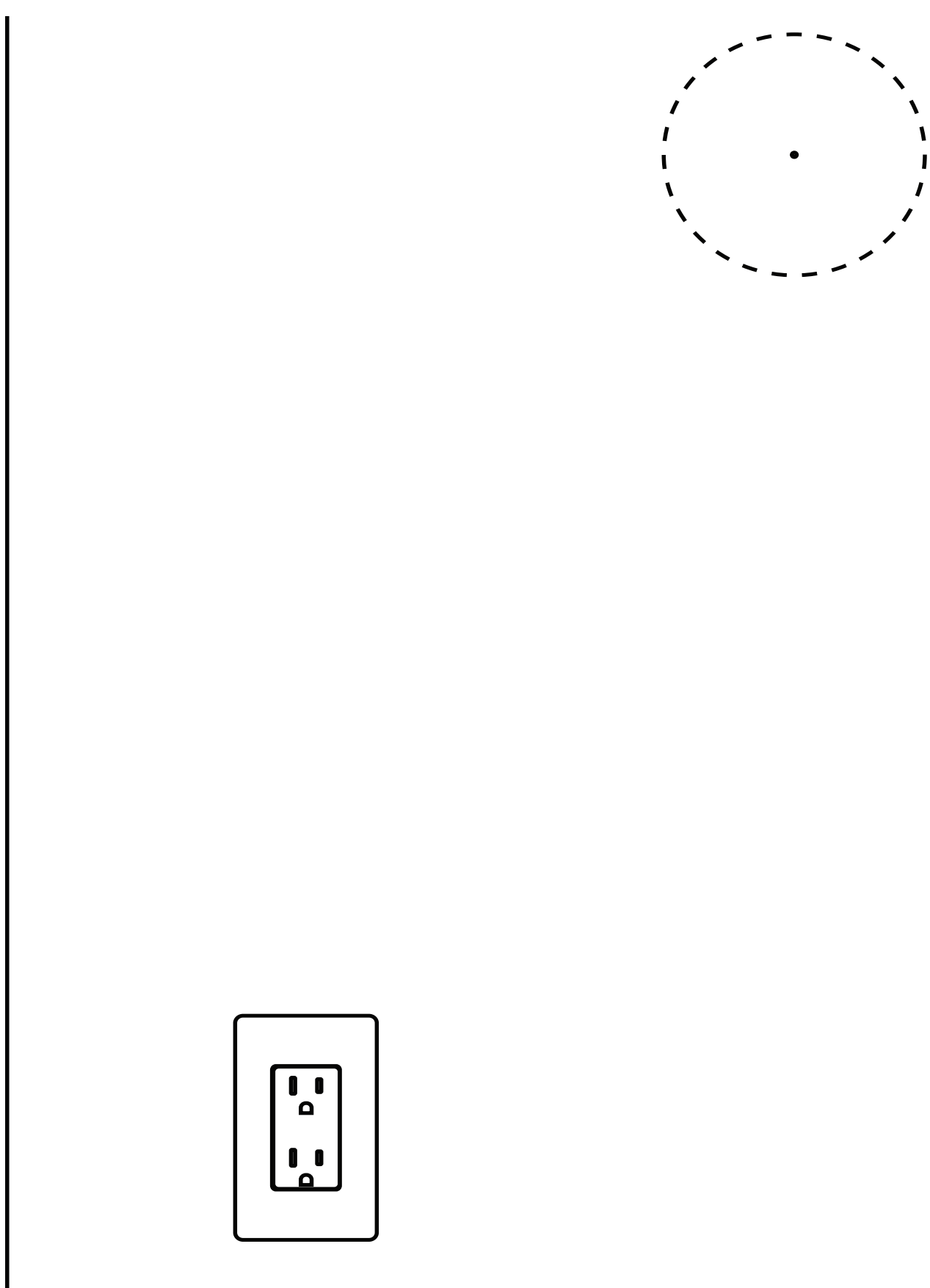
## WALLSTATION

### WallStation Install Manual - Existing Construction - 2 Wire

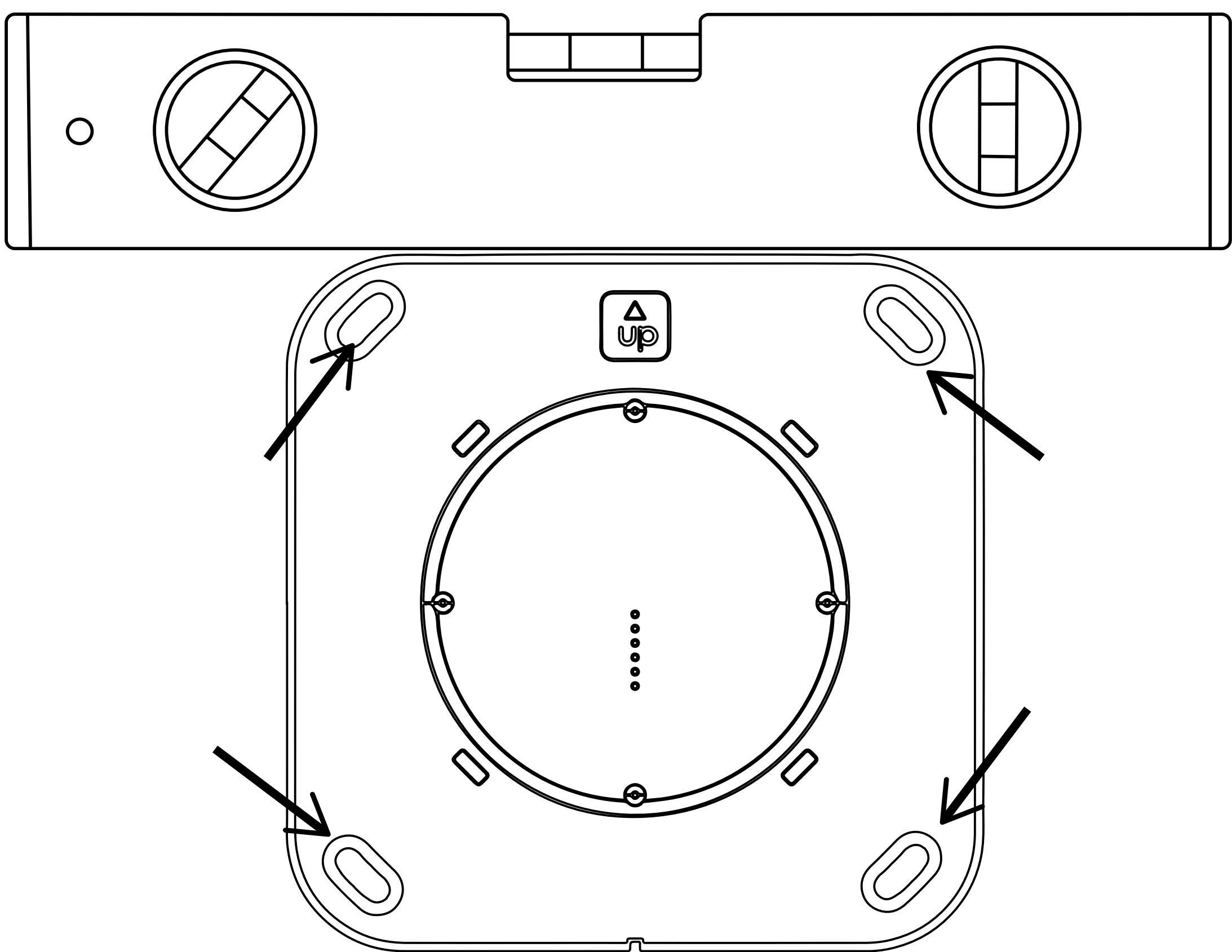
- 1. Determine the desired location of the IPORT Connect Pro WallStation.**



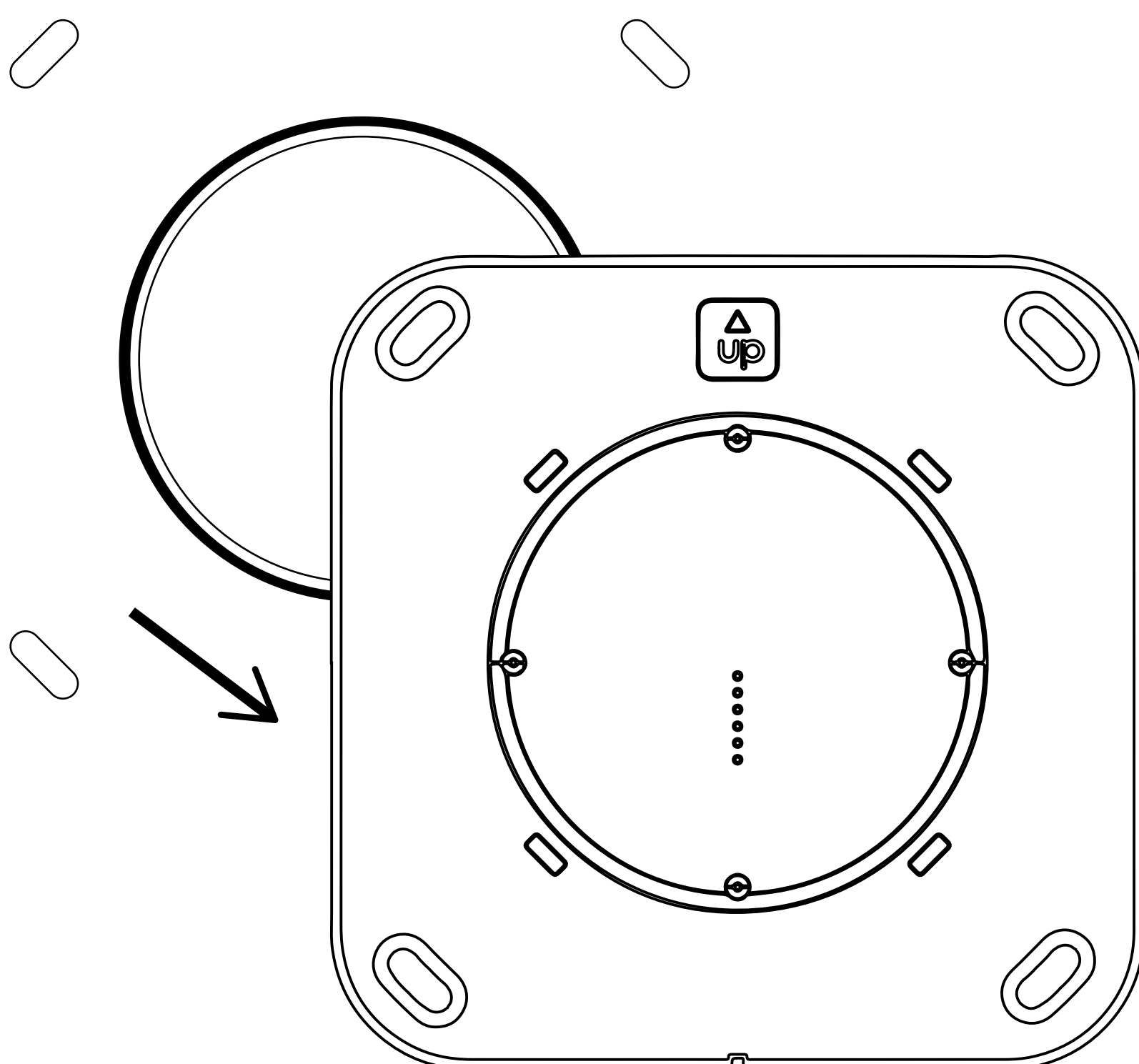
- 2. Use a 2-3/4" (70mm) hole saw to cut a hole in the desired location of the WallStation**



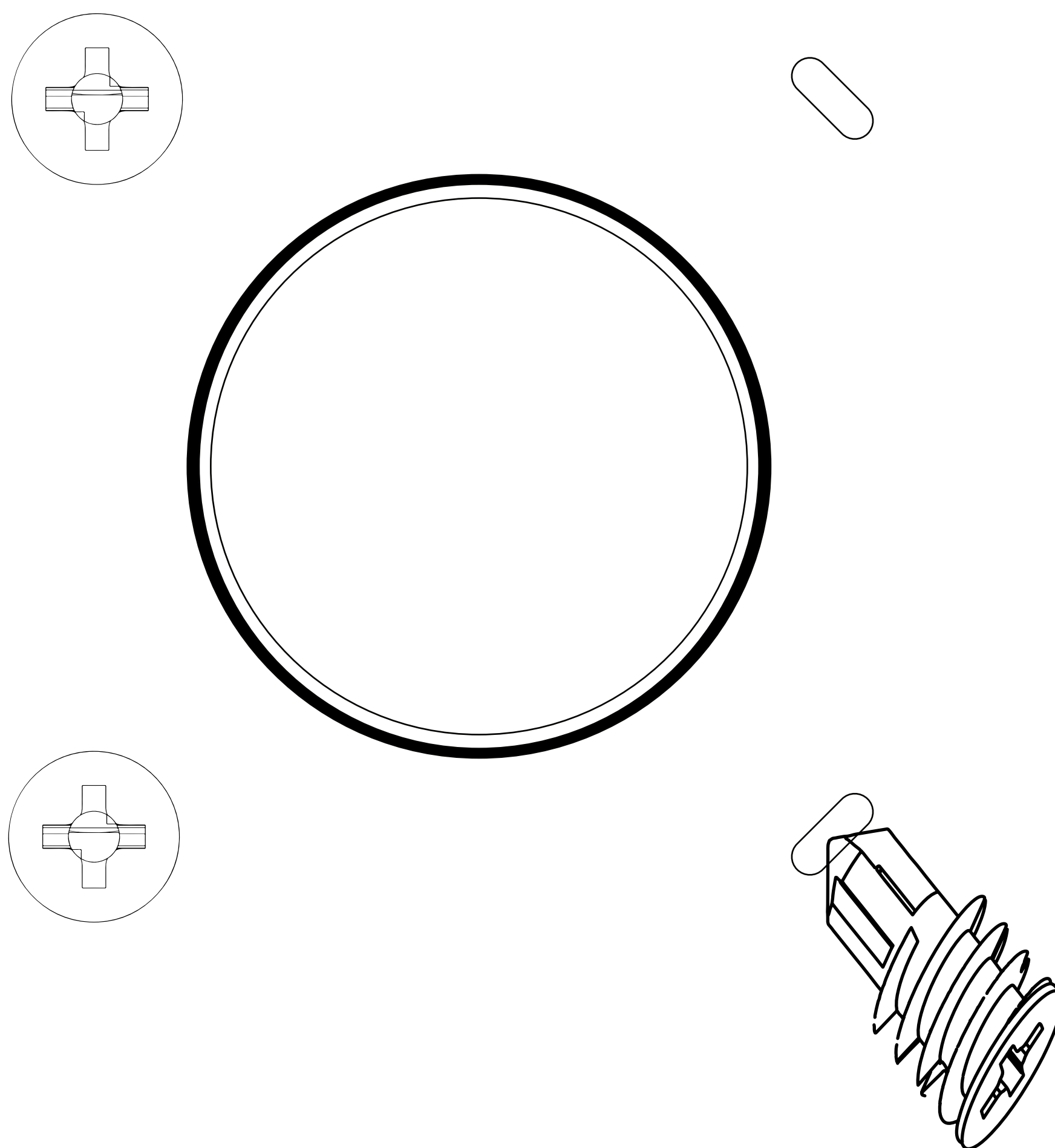
- 3. Insert the WallStation into the 2 3/4 - inch hole and use a leveling tool to level the WallStation. Mark the 4 locations for the provided Anchors.**



- 4. Remove the WallStation from the wall once you have marked the 4 anchor locations.**

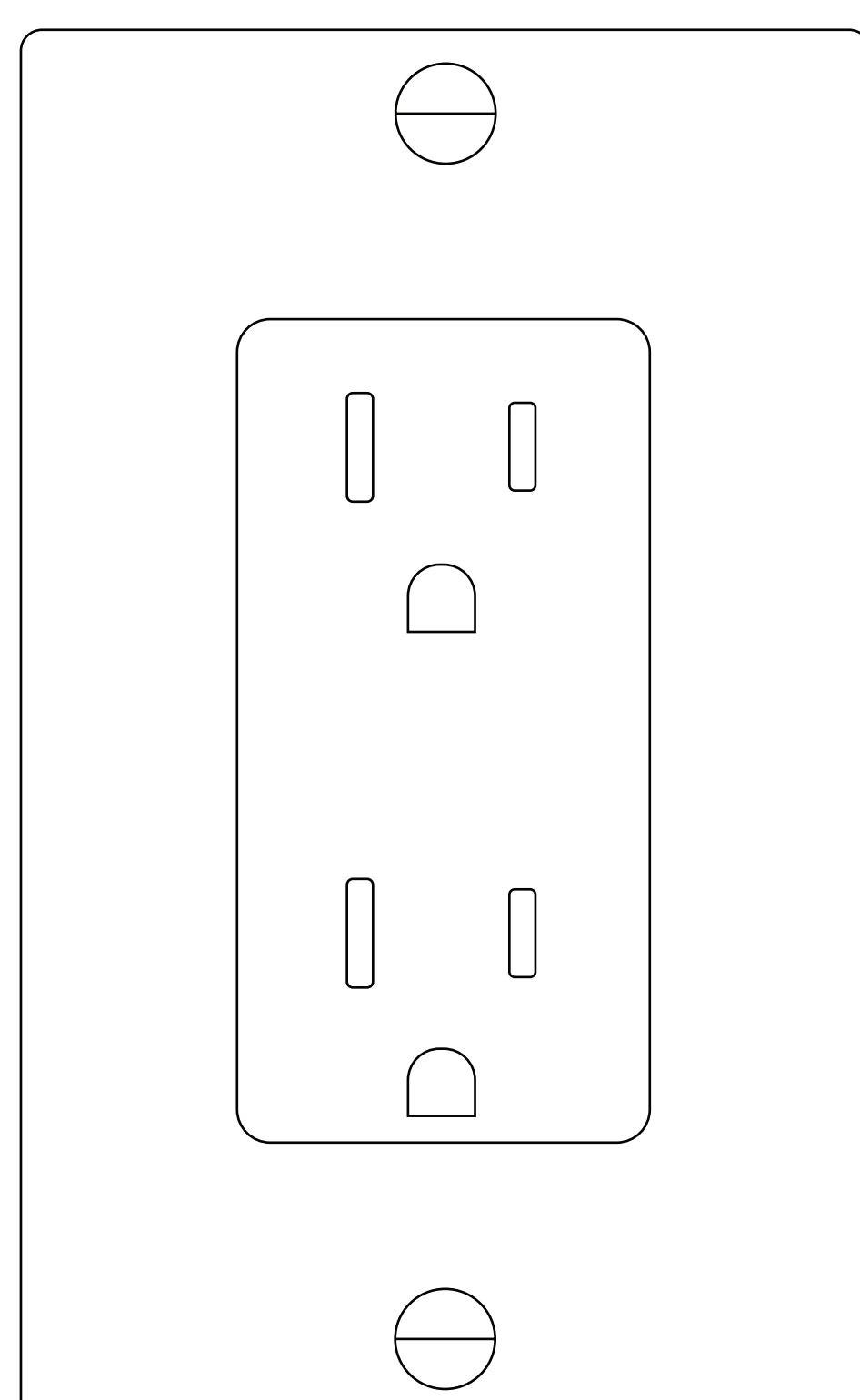
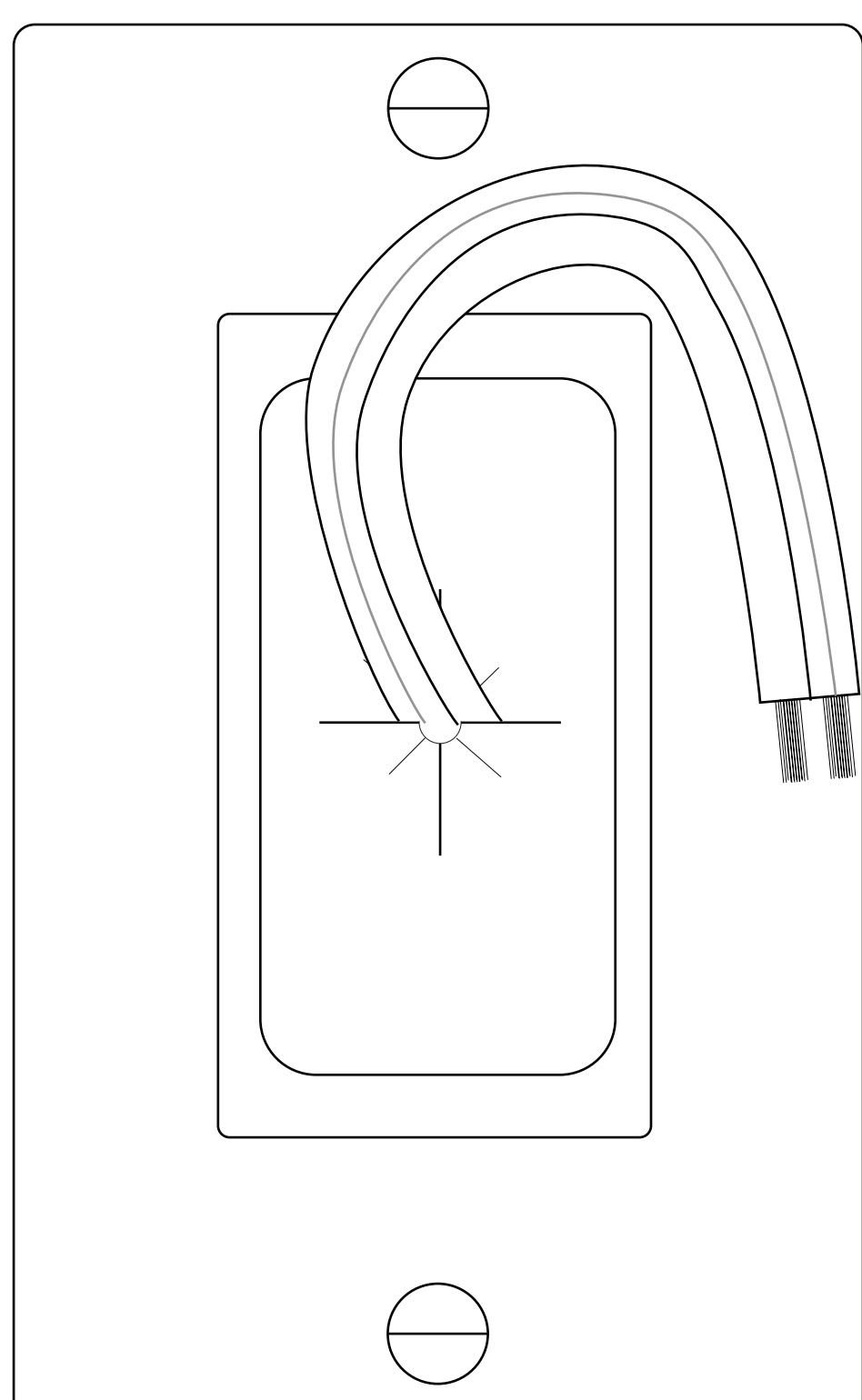
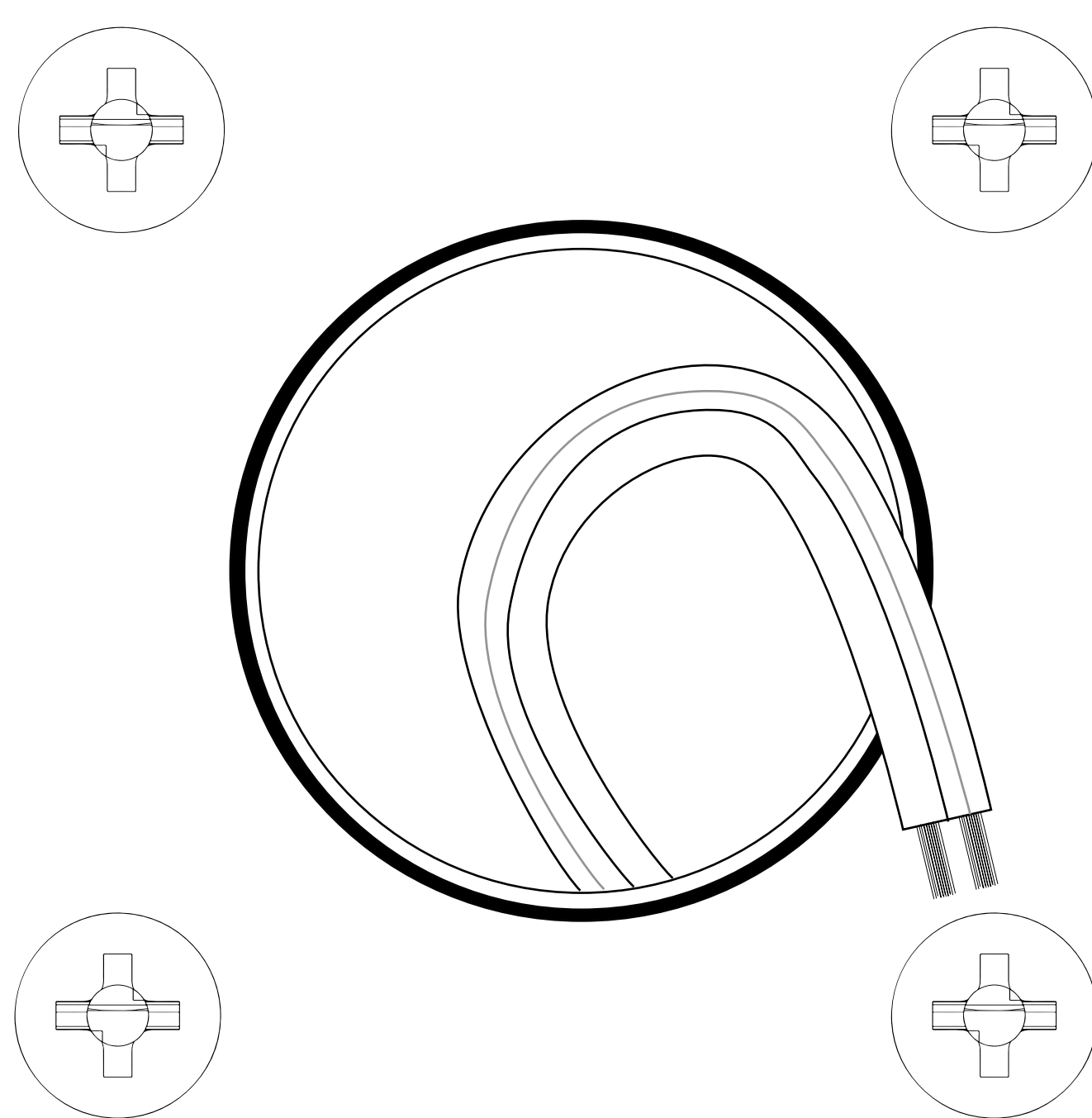


- 5. Screw the provided anchors into the wall where marked.**

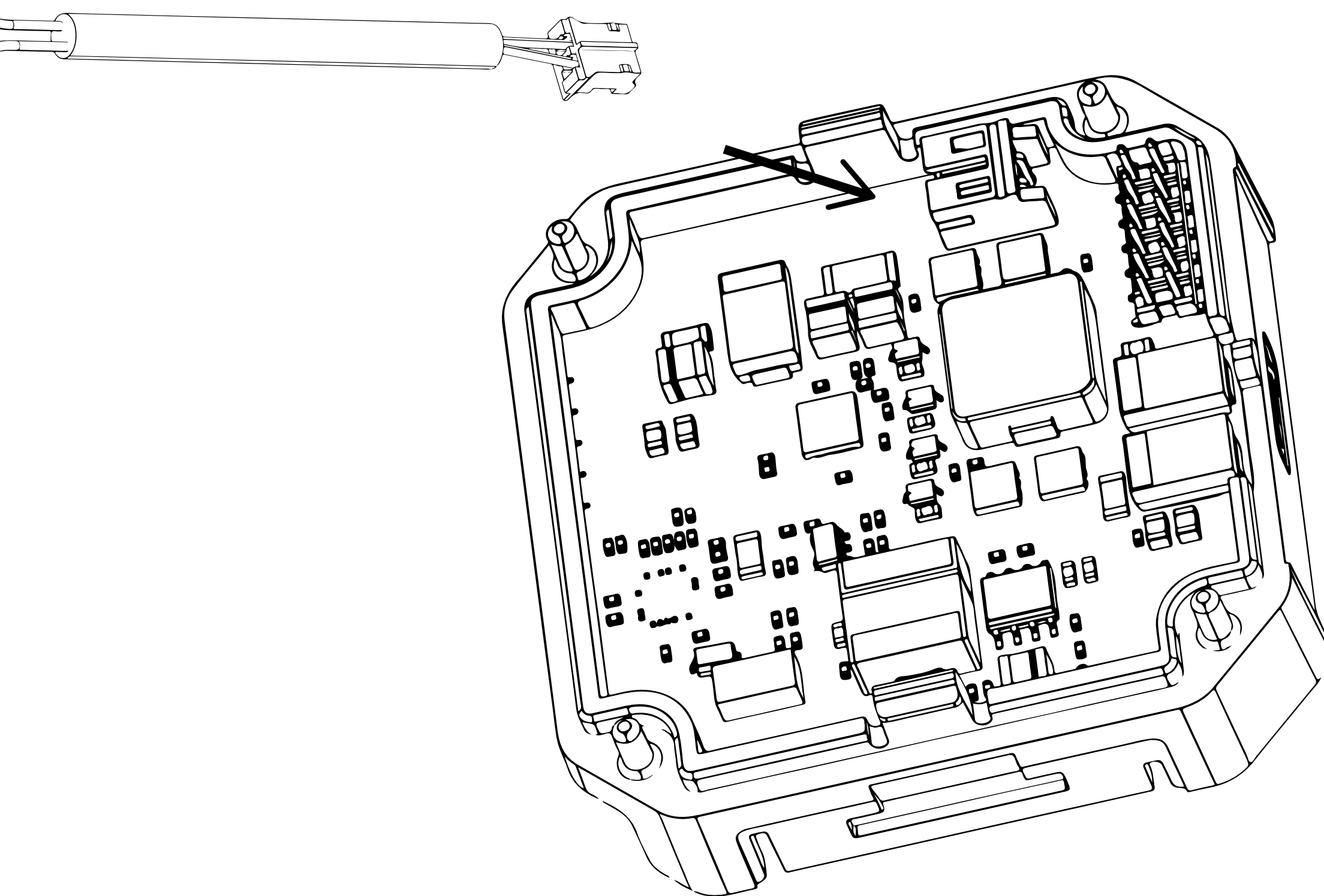
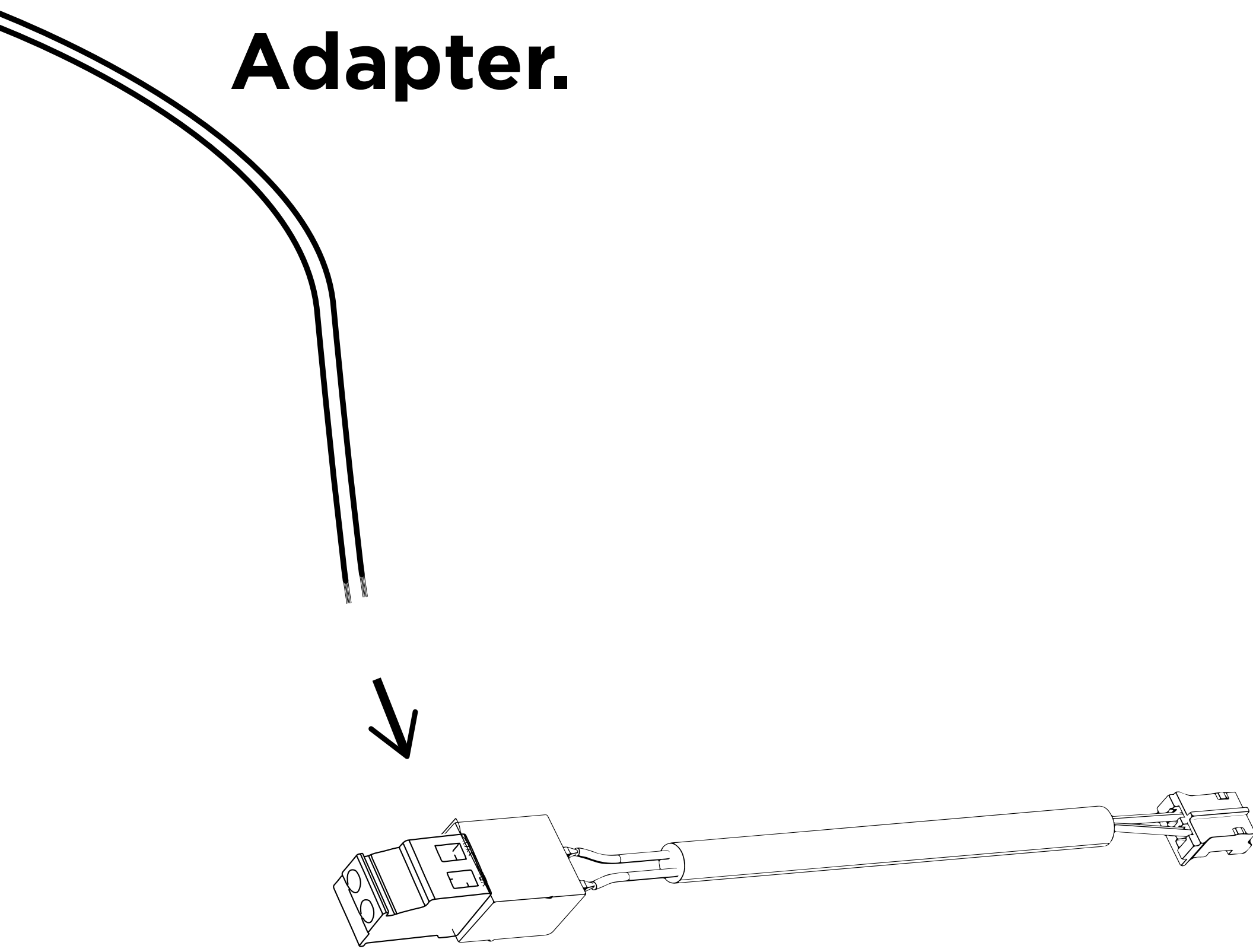


## WALLSTATION Existing Construction - 2 Wire

6. Use the 2 3/4 - inch hole to fish a 14/2 cable to a nearby AC outlet, closet or network rack.



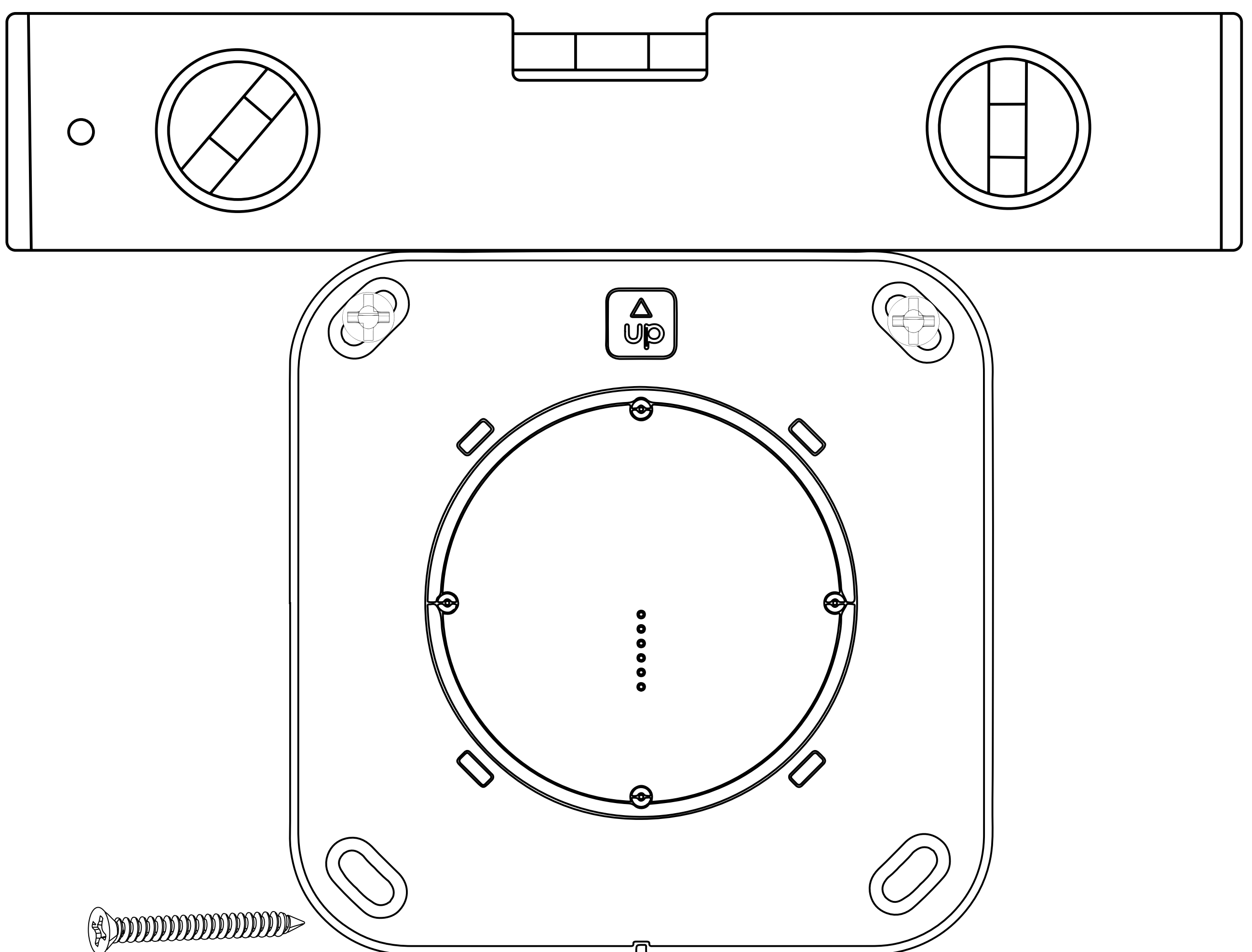
7. **Connect the Phoenix to TE cable provided to the 14-2 wire and onto the White TE Connector on the WallStation DC Adapter.**



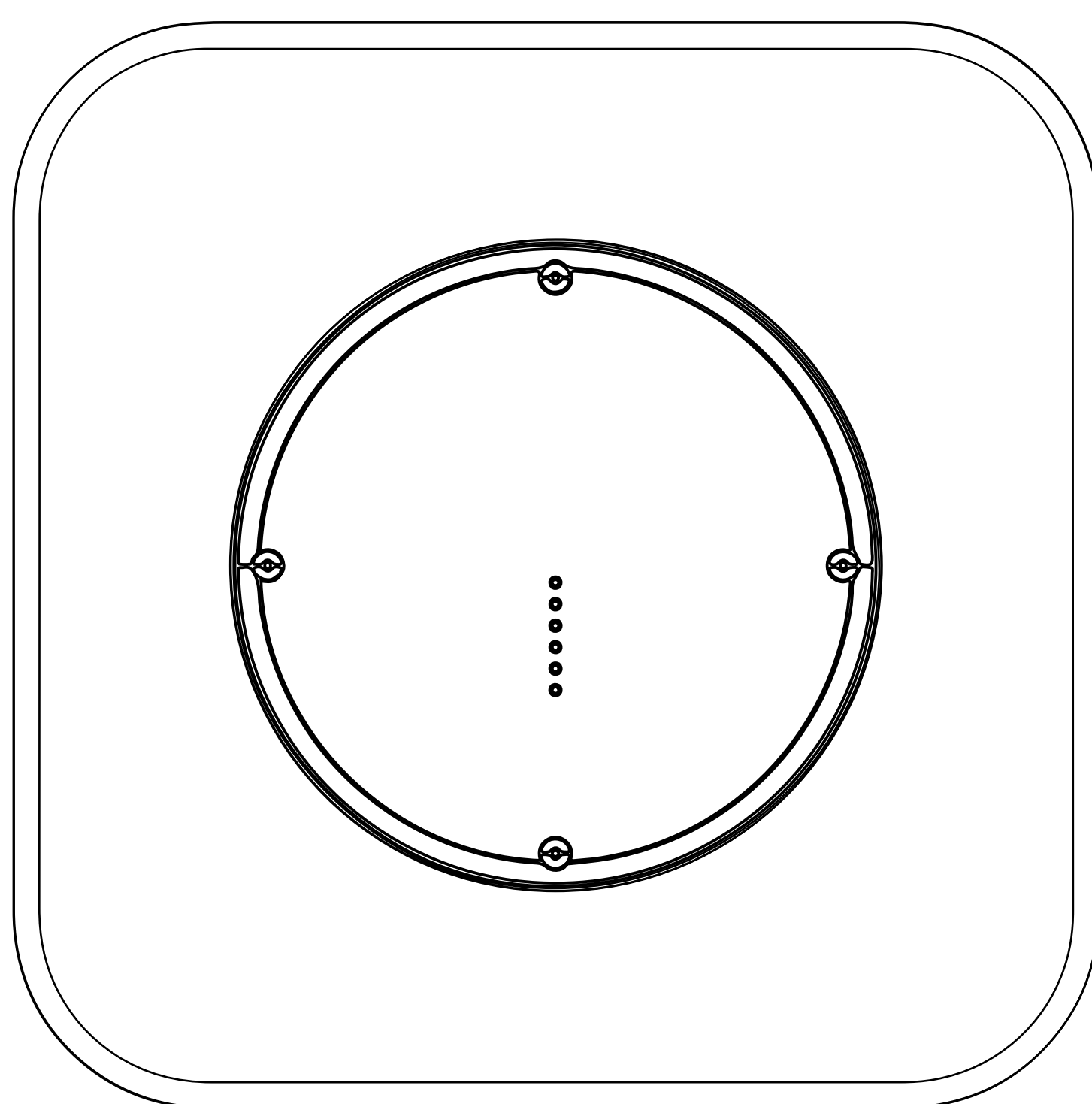
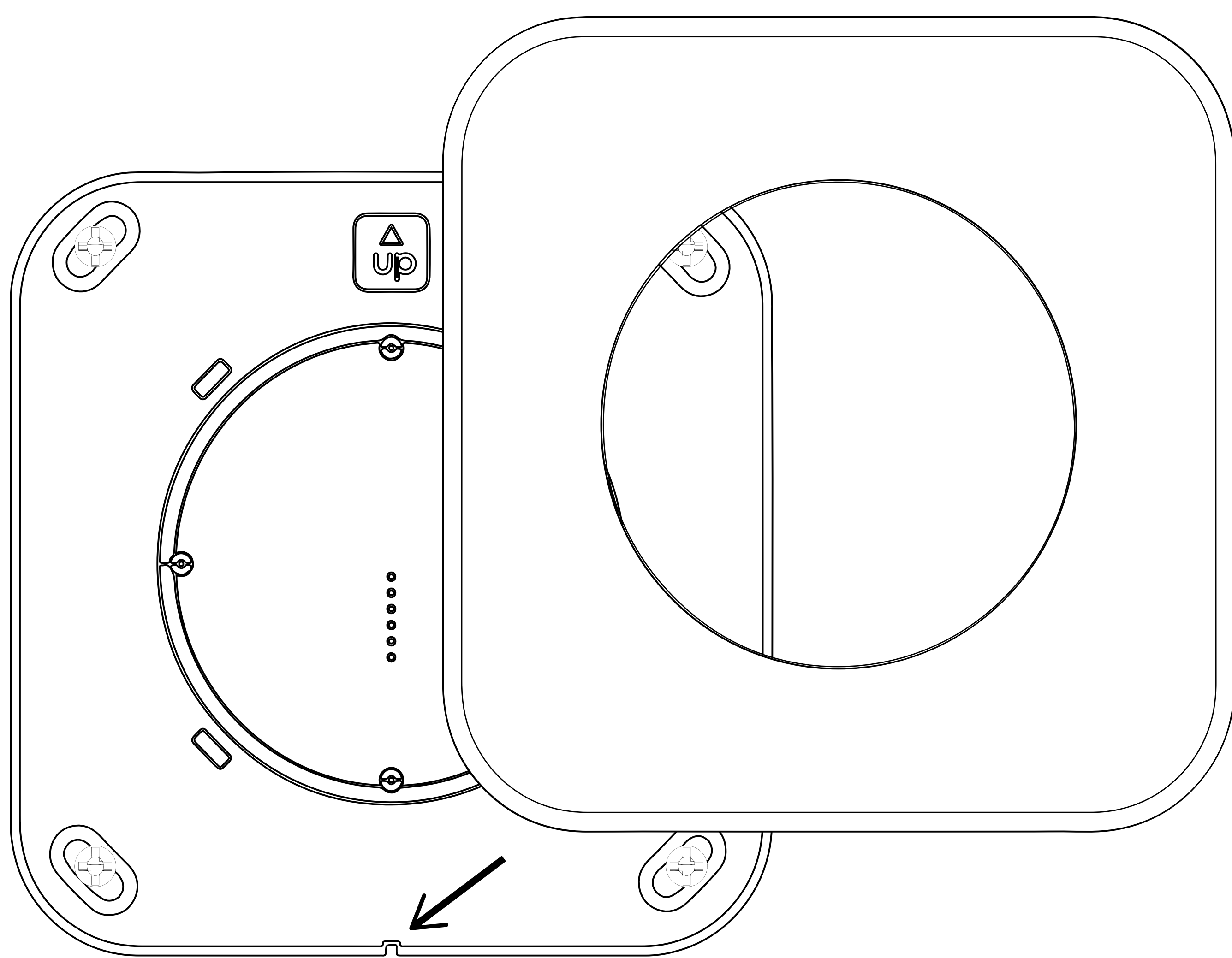
**Zip tie the Connector to the DC board for added cable retention.**

8. **Insert the WallStation back into the wall and use the provided screws to attach the WallStation to the wall anchors.**

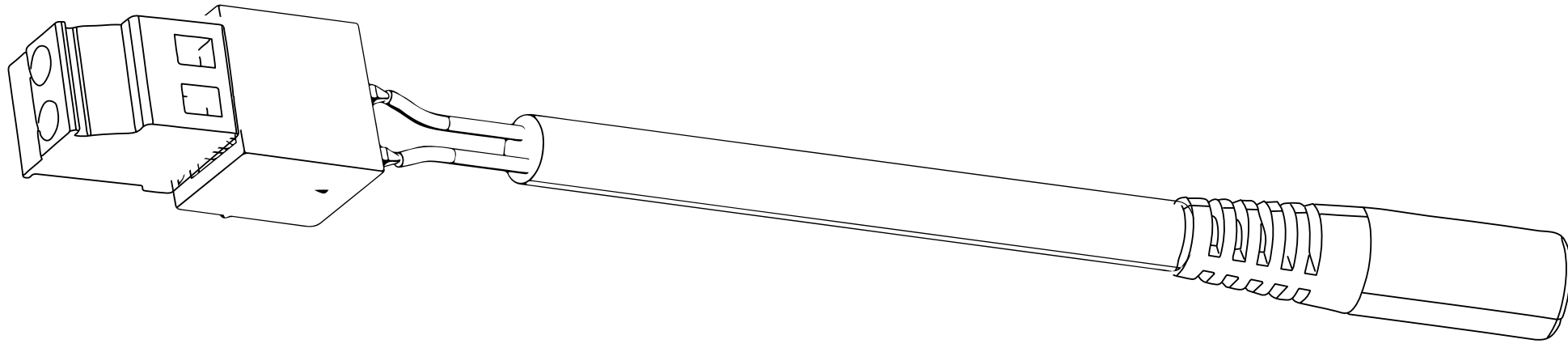
**IMPORTANT: Make Sure to position the WallStation with the Up Arrow facing up. Use a leveling tool to level the WallStation and hand tighten the screws.**



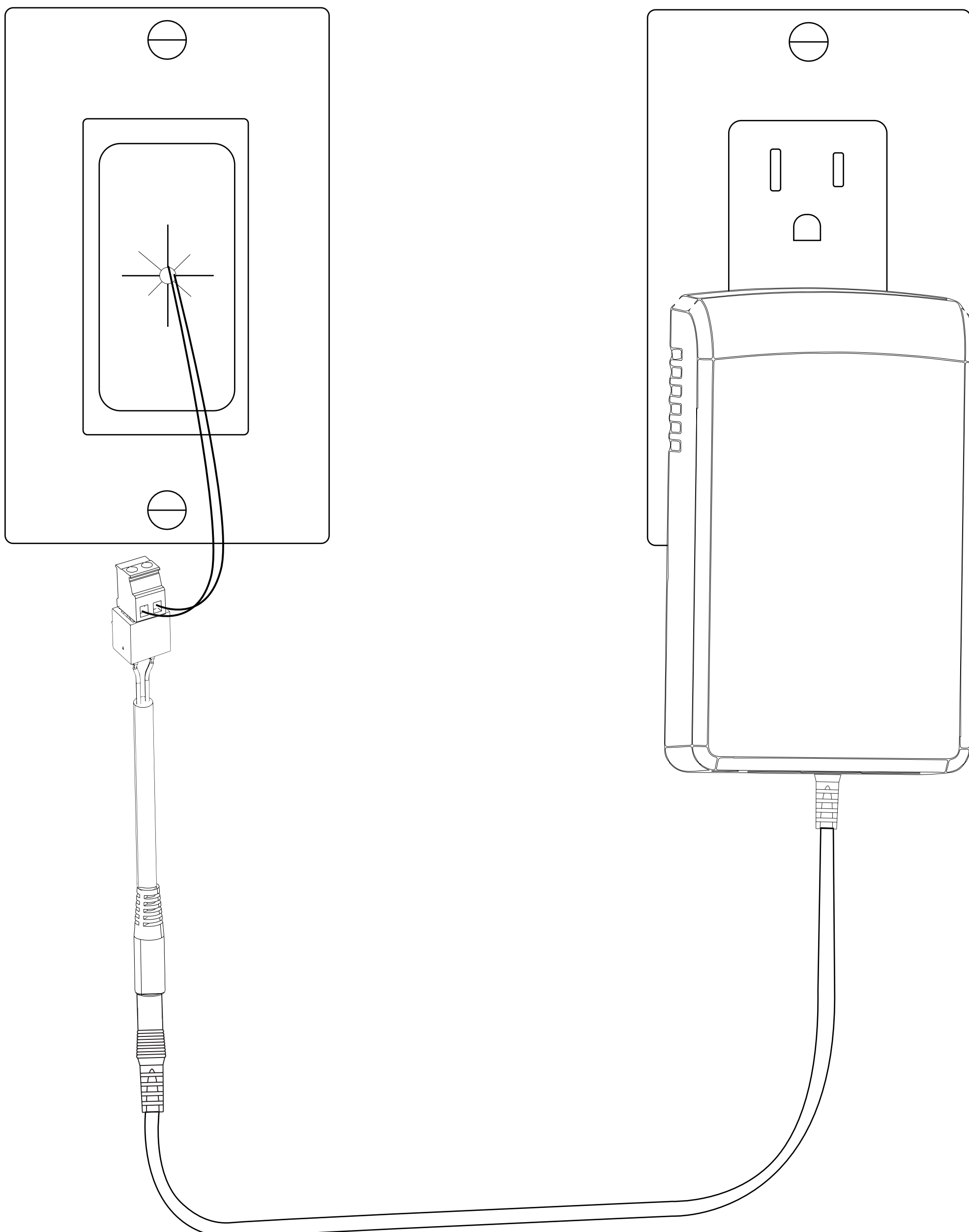
- 9. Attach the WallStation Cover Plate over the WallStation making sure to align the positioning notch with the tooth on the WallStation.**



10. **Connect the 2 wire to DC Connector at the other end of the 2 wire Cable.**



11. **Connect the Provided DC Power Adapter into the wall and connect the barrel connector to the other end of the Phoenix adapter.**

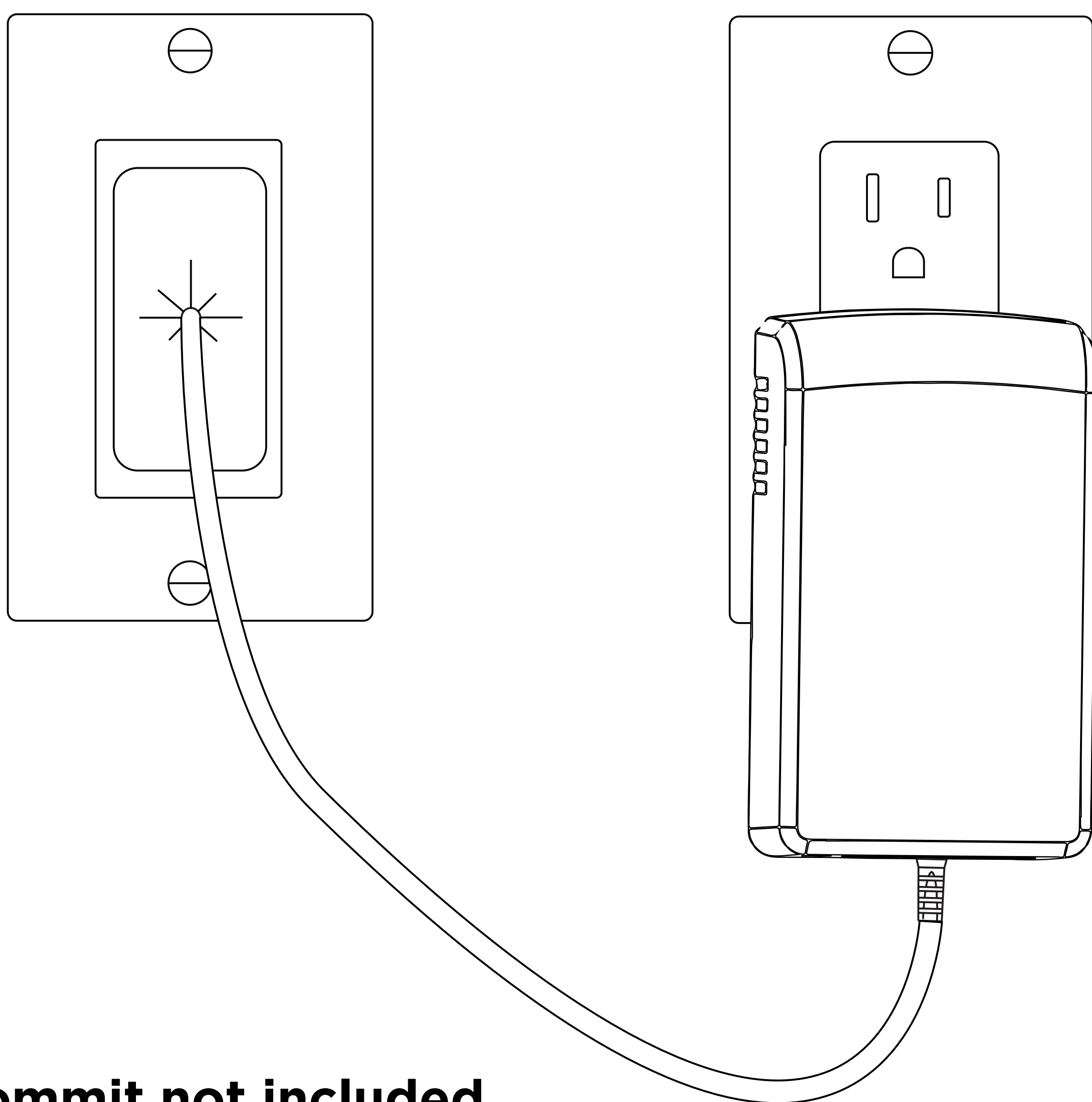


**Grommit not included**

# I PORT CONNECT PRO

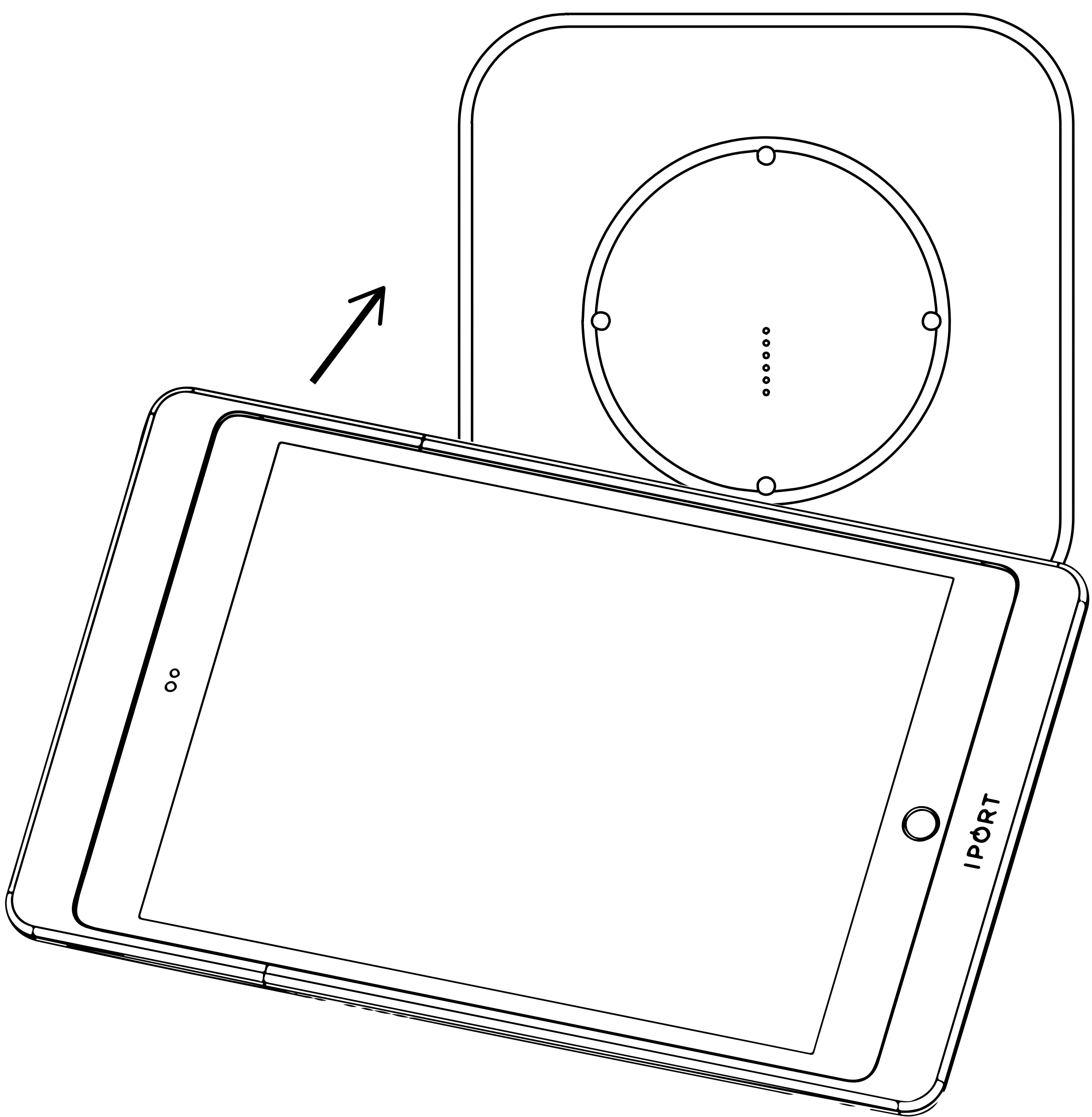
## WALLSTATION

For a clean finished look place the Connector and DC barrel plug back through the grommit into the wall.



**Grommit not included**

- 12. Place a Case with an iPad installed onto the WallStation to determine power was installed properly and the iPad charges.**



**COMPLETE**