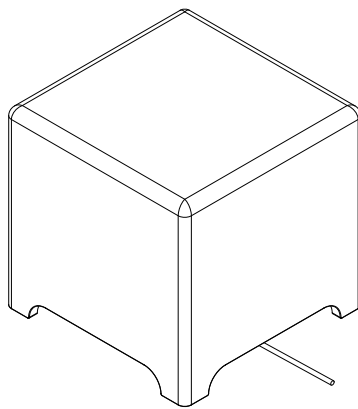




SONANCE®

HARDSCAPE SUBWOOFER INSTRUCTION MANUAL

HS12T SUB

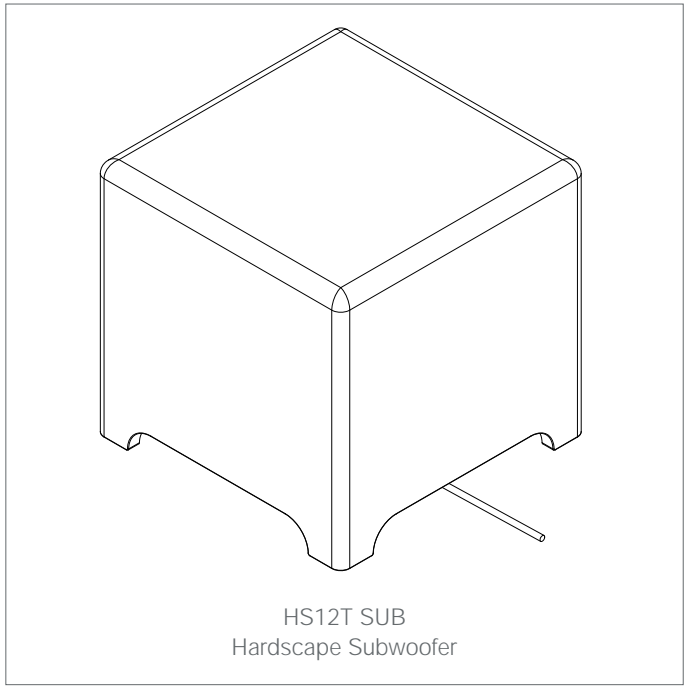


Introduction

Thank you for purchasing a SLS Subwoofer. When properly installed, this subwoofer will provide you with years of outdoor entertainment pleasure. To get the most out of your new subwoofer, please read this manual thoroughly before you begin installation.

Box Contents

- (1) Hardscape Subwoofer
- (2) Silicone filled wire nuts



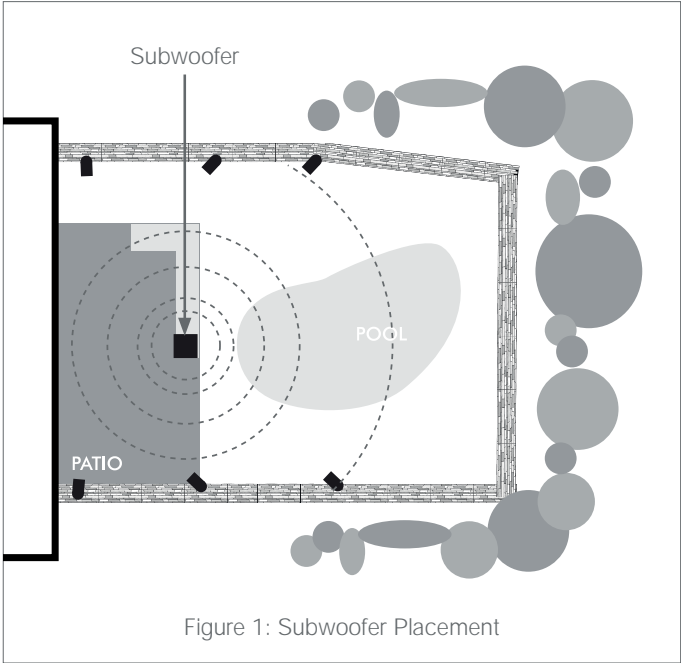
Subwoofer Placement

The SLS system is designed to deliver a seamless, evenly dispersed sound field in an 'open air' environment. An array of multiple Satellite speakers and Subwoofers should be strategically placed to minimize 'hot spots' and 'nulls' as you move around the outdoor entertainment area.

AS A GENERAL GUIDELINE, (1) SUBWOOFER WILL COVER ABOUT 2000 SQUARE FEET OF LISTENING AREA

Figure 1 shows the SLS placed along the perimeter of the entertainment area.

Select a central location for the subwoofer if using only one (see Figure 1). If using multiple subwoofers, select locations that are the same distance from the main listening area. Sonance recommends one SLS subwoofer installed after every 4-5 satellites in a chain.



Adjustable Tap

This Sonance Landscape Series product features a wide bandwidth Sonance Laminated Core Transformer (SLCT) with an adjustable tap, allowing the system to be configured for 70V/100V or 8 ohm. If using this SLS product in an 8 ohm application, ensure the tap switch is positioned to the 8 ohm setting. If using this product in a 70V/100V system, ensure the tap is positioned to one of the 70V/100V settings.

NOTE: ENSURE THAT ALL SATELLITES AND SUBWOOFERS ARE SET TO EITHER 70V/100V OR 8 OHM TAP SETTINGS TO AVOID ANY DAMAGE TO YOUR AMPLIFIER. DO NOT COMBINE PRODUCTS SET TO ANY OF THE 70V/100V SETTINGS WITH PRODUCTS SET TO THE 8 OHM SETTING ON A SINGLE AMPLIFIER.

Some 70V/100V system designs will require variations of higher and lower output in different areas of the landscaping. The SLCT adjustable tap allows each satellite or subwoofer to be individually dialed to the desired output. Adjusting the tap settings will impact your wattage calculations. Please review the Wattage Calculator on the Sonance website for more information: www.sonance.com/outdoor/new-sls/subwoofers.

NOTE: THIS PRODUCT SHIPS WITH THE SLCT ADJUSTABLE TAP SET TO 300W. ADJUSTMENTS CAN BE MADE TO THE TAP SWITCH ONCE ALL THE SATELLITES AND SUBWOOFERS ARE CONNECTED TO ACHIEVE THE APPROPRIATE OUTPUT LEVEL.

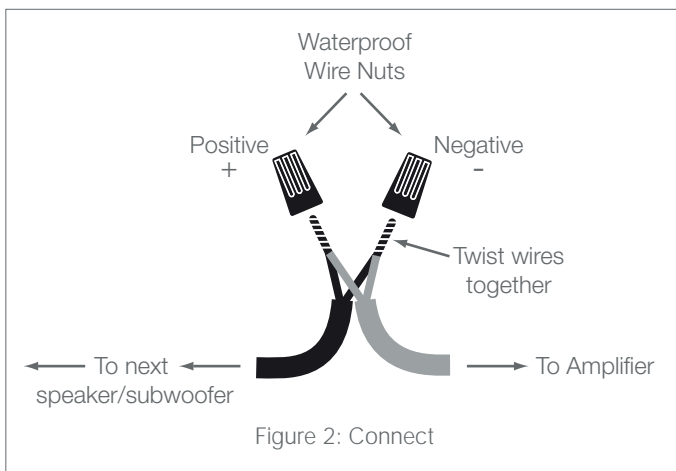
Sonamp DSP 2-750 Amplifier Power Planning

The maximum number of satellites and subwoofers that can be used in a system will depend on the amplifier power. It is important to calculate the amplifier power your installation will require before you begin. Multiple amplifiers may be required in large installations. Refer to the SLS wattage calculator on the Sonance website: www.sonance.com/outdoor/new-sls/subwoofers.

Subwoofer Installation

Sonance Landscape Series systems allow for speakers to be daisy chained together. In a typical system with one zone of audio, run a stereo or 4 conductor speaker wire from the amplifier to the closest speaker. Designate the first speaker as either left or right and connect the appropriate positive and negative wires to the speaker terminals. Continue alternating the wires between the left and right channels for each speaker, creating a daisy chain of stereo satellites. The Subwoofer can be wired anywhere in the chain and will receive either left or right speaker wires. See Figure 3.

1. Find the best location to complement your other speakers.
2. Decide which channel the subwoofer will go on, calculate load. See wattage calculator.
3. Connect to amplifier wiring using the supplied wire nuts, see Figure 2.



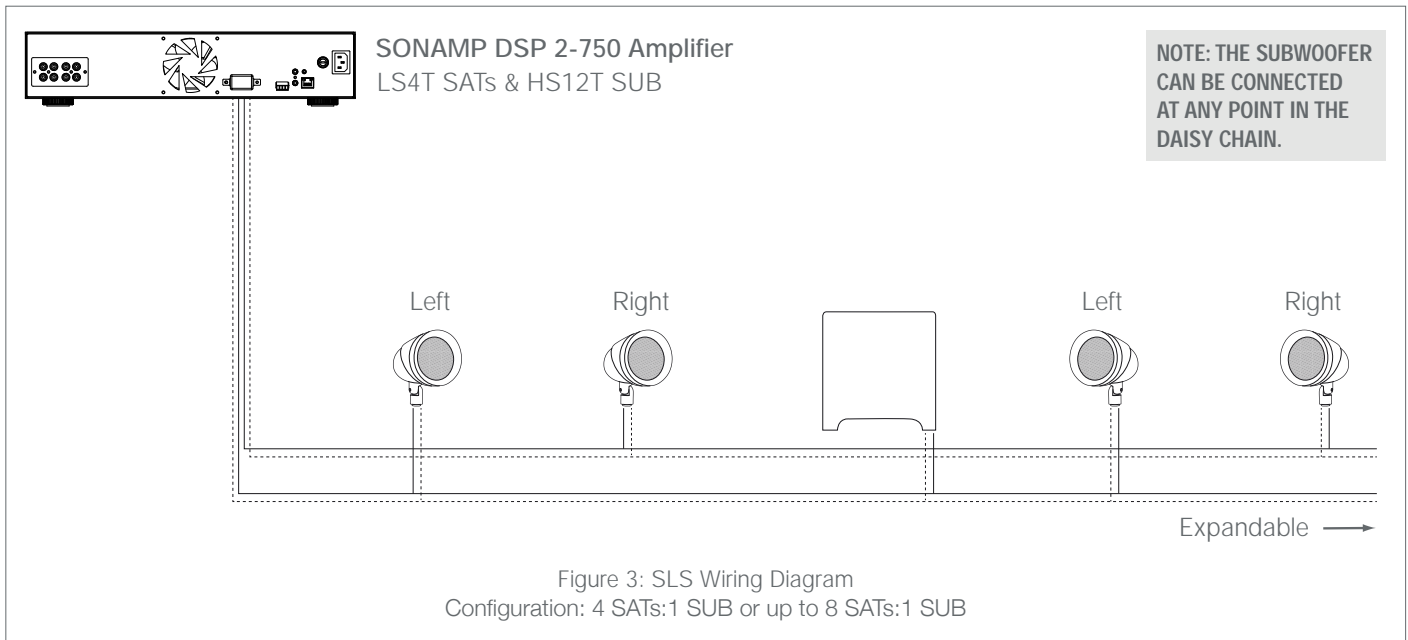
NOTE: SONANCE STRONGLY RECOMMENDS THE USE OF 14/4 DIRECT BURIAL WIRE FOR DISTANCES UP TO 200 FEET AND 12/4 DIRECT BURIAL FOR LONGER RUNS. KEEP WIRES AS SHORT AS POSSIBLE TO MINIMIZE RESISTIVE WIRE LOSSES.

CAUTION: THE AMPLIFIER SHOULD NOT BE CONNECTED TO AC POWER UNTIL ALL SPEAKER WIRE CONNECTIONS ARE COMPLETED. HIGH POWER 70 VOLT AMPLIFIERS PRESENT A SERIOUS SHOCK HAZARD..

4. Dig a 4" – 5" deep trench for running the speaker wires.
5. Run the wire through the trench from the amplifier to the first speaker location.
6. Connect the direct burial wire to each speaker wire; connections should be made with either silicone filled wire connectors or appropriate junction boxes. See Figure 2.

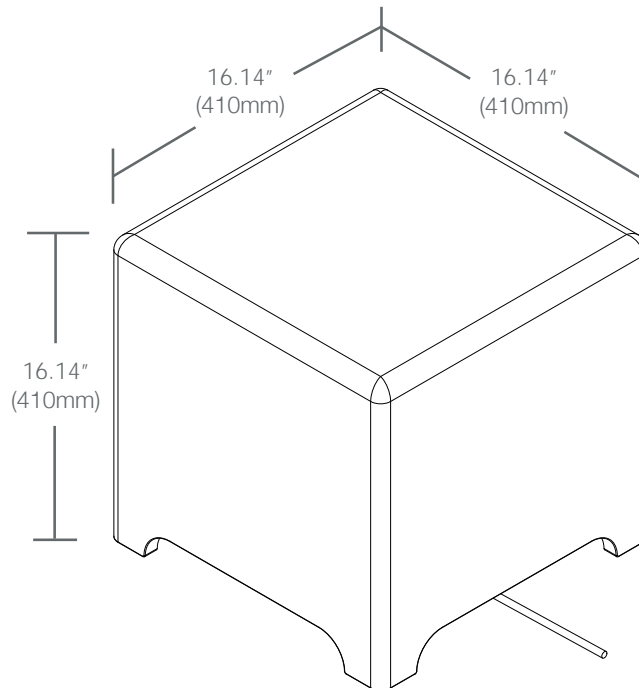
IMPORTANT: BE SURE NOT TO LET ANY STRAY '+' AND '-' STRANDS TOUCH EACH OTHER. TOUCHING STRANDS CAN CAUSE A SHORT-CIRCUIT THAT COULD DAMAGE YOUR AMPLIFIER AND DEGRADE SOUND QUALITY.

7. After all the speakers connections are completed, connect the wires to your amplifier. See Figure 3.
8. Turn your amplifier on and test the system with your favorite music. If the speakers are operating properly, refill the wire trench and enjoy your new system.



Specifications

Model:	HS12T SUB
Woofers:	12" (305mm) polypropylene cone with a rubber surround
Frequency Response:	22Hz – 100Hz \pm 3dB
Transformer Taps:	300W, 150W, 75W, (38W 70V), 8 Ohms
Enclosure Material:	Low density polyethylene (LDPE)
Crossover:	100Hz
Available Finishes:	Dark brown textured enclosure
Dimensions: W x H x D)	16.14" x 16.14" x 16.14" (410mm x 410mm x 410mm)
Shipping Weight:	64.14 lbs (30kg)



LIMITED FIVE (5) YEAR WARRANTY

Sonance warrants to the first end-user purchaser that this Sonance-brand product ("Product"), when purchased from an authorized Sonance Dealer/Distributor, will be free from defective workmanship and materials for the period stated below. Sonance will at its option and expense during the warranty period, either repair the defect or replace the Product with a new or remanufactured Product or a reasonable equivalent.

EXCLUSIONS

TO THE EXTENT PERMITTED BY LAW, THE WARRANTY SET FORTH ABOVE IS IN LIEU OF, AND EXCLUSIVE OF, ALL OTHER WARRANTIES, EXPRESS OR IMPLIED, AND IS THE SOLE AND EXCLUSIVE WARRANTY PROVIDED BY SONANCE. ALL OTHER EXPRESS AND IMPLIED WARRANTIES, INCLUDING THE IMPLIED WARRANTIES OF MERCHANTABILITY, IMPLIED WARRANTY OF FITNESS FOR USE, AND IMPLIED WARRANTY OF FITNESS FOR A PARTICULAR PURPOSE ARE SPECIFICALLY EXCLUDED.

No one is authorized to make or modify any warranties on behalf of Sonance. The warranty stated above is the sole and exclusive remedy and Sonance's performance shall constitute full and final satisfaction of all obligations, liabilities and claims with respect to the Product.

IN ANY EVENT, SONANCE SHALL NOT BE LIABLE FOR CONSEQUENTIAL, INCIDENTAL, ECONOMIC, PROPERTY, BODILY INJURY, OR PERSONAL INJURY DAMAGES ARISING FROM THE PRODUCT, ANY BREACH OF THIS WARRANTY OR OTHERWISE.

This warranty statement gives you specific legal rights, and you may have other rights which vary from state to state. Some states do not allow the exclusion of implied warranties or limitations of remedies, so the above exclusions and limitations may not apply. If your state does not allow disclaimer of implied warranties, the duration of such implied warranties is limited to period of Sonance's express warranty.

Your Product Model and Description: HS12T SUB

Warranty Period for this Product: Five (5) years from the date on the original sales receipt or invoice or other satisfactory proof of purchase.

Additional Limitations and Exclusions from Warranty Coverage: The warranty described above is non-transferable, applies only to the initial installation of the Product, does not include installation of any repaired or replaced Product, does not include damage to allied or associated equipment which may result for any reason from use with this Product, and does not include labor or parts caused by accident, disaster, negligence, improper installation, misuse (e.g. overdriving the amplifier or speaker, excessive heat, cold or humidity), or from service or repair which has not been authorized by Sonance. Obtaining Authorized Service: To qualify for the warranty, you must contact your authorized Sonance Dealer/Installer or call Sonance Customer Service at (949) 492-7777 within the warranty period, must obtain a return merchandise number (RMA), and must deliver the Product to Sonance shipping prepaid during the warranty period, together with the original sales receipt, or invoice or other satisfactory proof of purchase.



©2018 Sonance. All rights reserved. Sonance is a registered trademarks of Dana Innovations.
Due to continuous product improvement, all features and specifications are subject to change without notice.
For the latest Sonance product specification information visit our website: www.sonance.com

SONANCE • 991 Calle Amanecer • San Clemente, CA 92673 USA
(949) 492-7777 • FAX: (949) 361-5151 • Technical Support: (949) 492-7777

www.sonance.com

33-7983 03.21.18