

INSTALLATION GUIDE

Prior to installation, please reference power and wiring guide found in the PoE Splitter box.

BOX CONTENTS

- Installation Guide
- Surface Mount Bezel (a)
- Mounting Bracket (b)
- Suction Cup (c)
- Mounting Screws (d) x 6
- Security Tool (e)
- PoE+ Adapter (f)

SYSTEM COMPONENTS (SOLD SEPARATELY)

- PoE+ Injector (72106) (g)
(International Adapters Included)

HARDWARE REQUIREMENTS

Hardware required for each application scenario is shown below. For brick & mortar and concrete applications, please view our application note for installation on our website, www.iportproducts.com

DRYWALL	SOFT WOOD	HARD WOOD
Use provided hardware (use a Phillips hand screwdriver)	Use provided hardware (use a Phillips hand screwdriver)	Drill pilot holes & use provided hardware (use a Phillips hand screwdriver)
BRICK & MORTAR	CONCRETE	
Use brick & mortar anchors & screws (not provided)	Use concrete anchors & screws (not provided)	

Before Installation

Ensure selected wall for installation is free of plumbing or any other obstructions.

Electrical Wall Box for the PoE Splitter

The PoE Splitter can be used with US, UK and Euro single gang electrical boxes. The recommended depth for the UK electrical box is a minimum of 1.4" (35mm) and the Euro wall box is a minimum of 1.85" (47mm). An open double gang electrical box may be used to allow for flexible wire management.

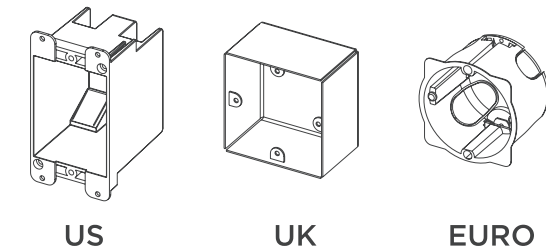
For Advanced Installation

iPort offers an elegant solution to integrate iPad onto any surface. For advanced surface installation applications such as masonry, concrete, please view our application

note for installation on our website, www.iportproducts.com. For drywall and wood installation, please proceed to the installation steps noted below.

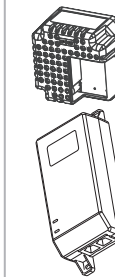
Preparation for Installation

Choose your power/wiring scenario:

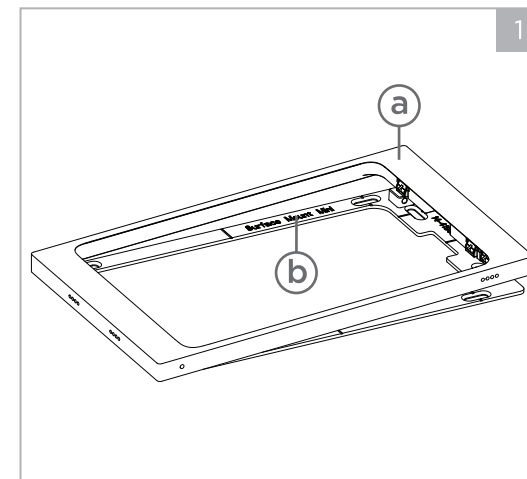


Accessories required for each power and wiring scenario

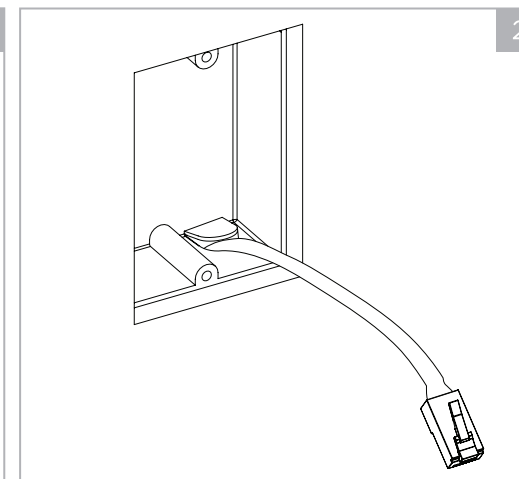
	Bezel	PoE Splitter	PoE Injector
PoE Switch Powered	B	S	
Receptacle Powered	B	S	i



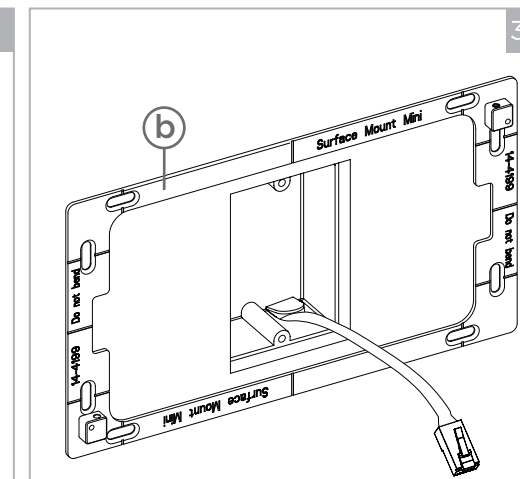
- S PoE + Splitter**
The PoE+ Splitter is designed to provide the necessary power to the iPad's Lightning or USB - C Connector from a PoE+ power source. For more detailed information, see enclosed Diagrams
- i PoE + Injector**
The PoE+ injector is designed to provide power via PoE+ (IEEE 802.3at) and is required if there is no other PoE+ Switch or power source.



When removing the Surface Mount (a) bezel from its box, the bezel will be attached to the (b) mounting bracket. To decouple the (a) bezel from the (b) mounting bracket, place the (a) bezel face up on a flat and smooth surface. With one hand, hold the (b) mounting bracket in place. With your opposite hand, lift the right edge of the (a) bezel and then the left to decouple the magnets. This will help avoid bending of the metal, and prevent any damages to the (a) bezel or (b) mounting bracket.

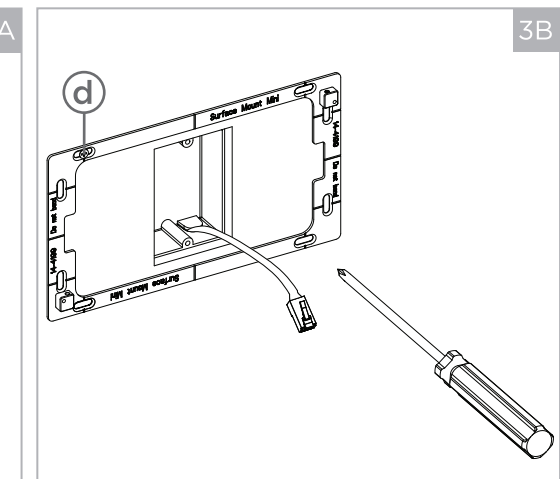


Locate the ideal mounting area. For retrofit installation, locate an existing low-voltage electrical box. For new construction, choose a location for an electrical box. We recommend installing the (a) bezel in landscape orientation, but it can also be installed in portrait orientation. **Note:** A single gang electrical box allows you to use the Surface Mount in portrait or landscape orientation, and a double gang electrical box allows you to use the Surface Mount in a landscape only orientation.



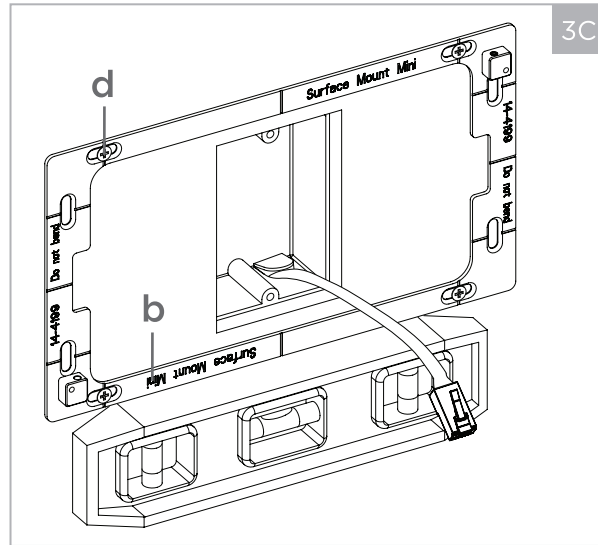
Install the (b) mounting bracket on the wall with the (b) bracket surrounding the electrical box. Use the center lines as a guide to install the (d) mounting screws. Our specialized (d) mounting screws act as anchors and screws when mounting on a drywall or wood surface.

Note: Use all six mounting screws for Surface Mount for iPad Pro 12.9".

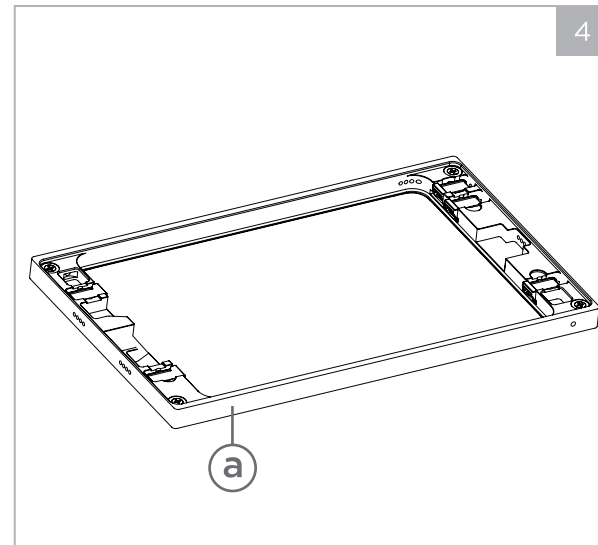


Using the recommended screwdriver and (d) mounting screws, install the first screw in the upper left-hand corner.

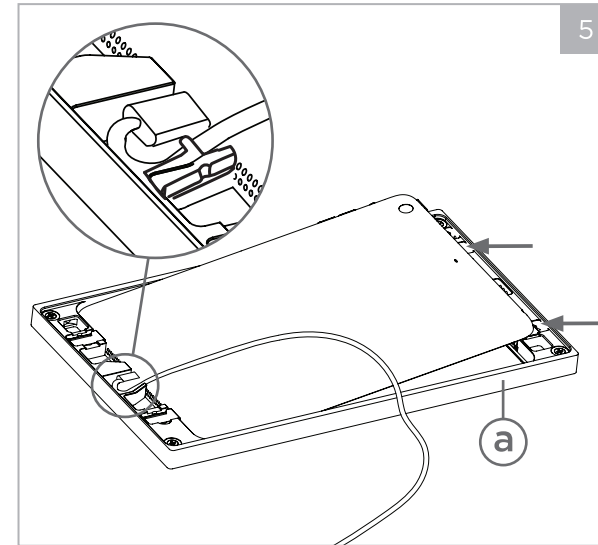
*Apple, iPad, iPad Air, iPad Pro and Lightning are trademarks of Apple Inc., registered in the U.S. and other countries.



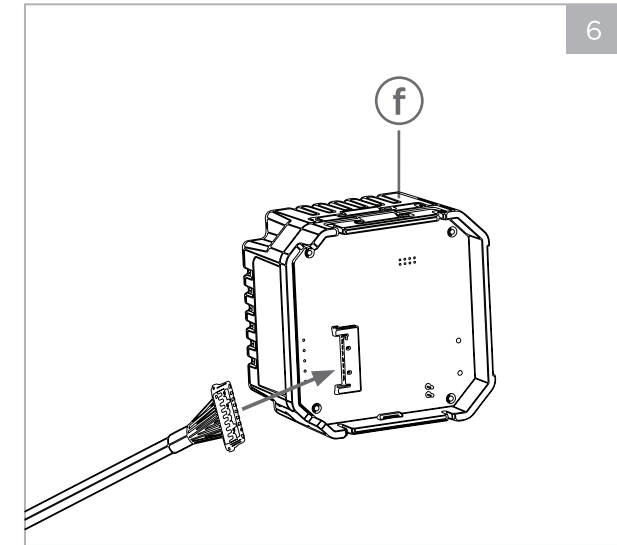
Level the (b) mounting bracket over wiring location and fasten (b) bracket with the remaining (d) screws. Lining up the (d) mounting screws with the engraved center lines provided on the (b) bracket will allow you optimal adjustability. The (b) mounting bracket is now in place.



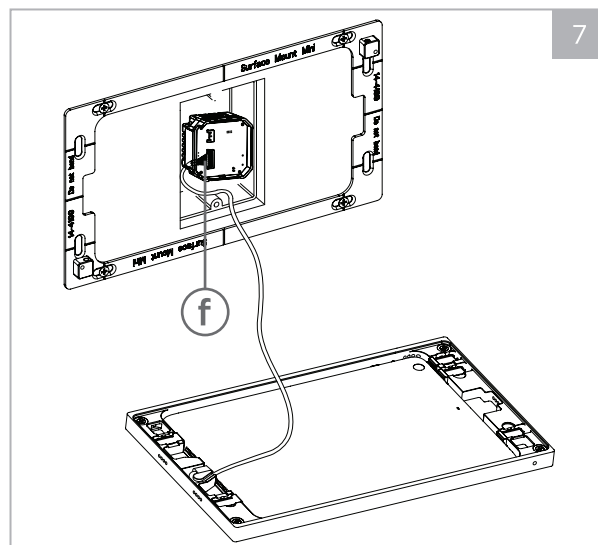
Place the Surface Mount (a) bezel face down on a flat and smooth surface with the iPort logo on the left.



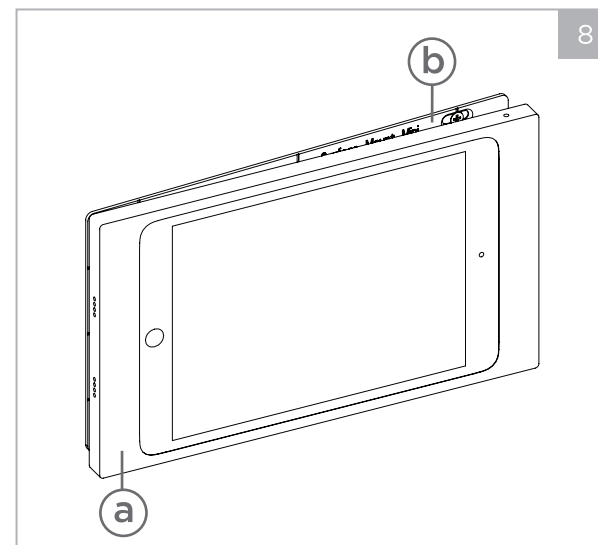
Plug in the provided IPORT USB-C cable directly into the iPad. Position the iPad Face down into the (a) bezel with the iPad cable on the left. Carefully wrap the iPad cable under the retention loop located on the (a) bezel. To lock the iPad in place, use a flat head screwdriver to deploy the second and third toggles located on the right side of the Surface Mount (a) bezel. The first top-right toggle is a power button extension.



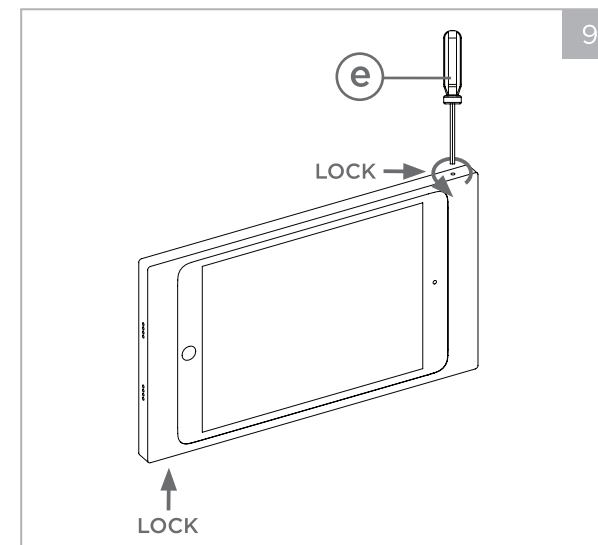
Connect the USB-C to Molex cable into the (f) PoE Adapter shown.



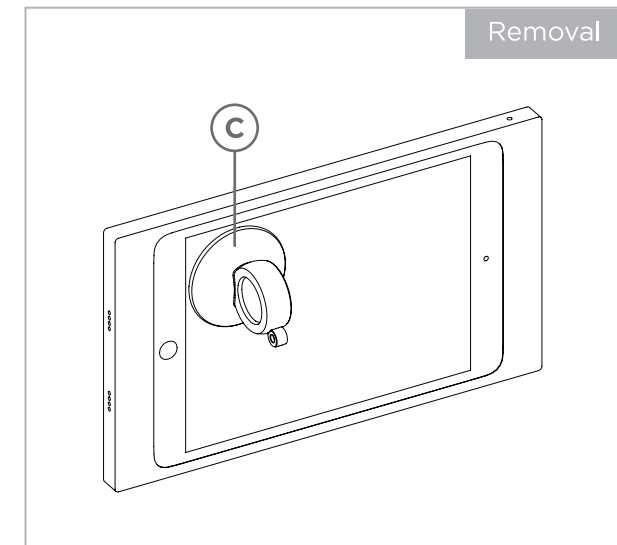
Connect the appropriate power source identified in the Power and Wiring Guide (found in (f) PoE splitter box). Place the PoE splitter into the single gang box located in the wall.



With the iPad home button facing left or right, the Surface Mount will attach to the (b) mounting bracket with internal magnets.



To lock the Surface Mount in place, use the (e) security tool provided to engage the security locks. When the bezel is in landscape orientation, the security holes are located on the top-right and bottom-left of the bezel. Rotate the (e) security tool counter-clockwise to engage the locks, and clockwise to unlock the Surface Mount (a) bezel from the (b) mounting bracket.



The (c) suction cup (provided) is used to remove the iPad and (a) bezel from the (b) mounting bracket. Once the (a) bezel is unlocked from the (b) mounting bracket, depress the (c) suction cup on the corner of the iPad screen and carefully pull the iPad from the wall, while the other hand is supporting the opposite side of the (a) bezel.